



PLANARCAP® TPX DISPOSABLE FILTERS

*Point-of-use disposable filters for
colloidal silica and ceria slurries*

Overview

Developed from the Mykrolis® family of liquid micro-contamination control technologies, Planarcap® disposable filters are constructed of pleated polypropylene depth media. The TPX series is specially designed for ceria and colloidal silica applications that typically has smaller abrasive particles at lower concentrations.

Application Focus

Entegris' extensive application knowledge of the CMP process and focused product development enabled the development of application-specific solutions to CMP filtration challenges.

Performance and Lifetime

Planarcap filters retain defect-causing particles by means of a multi-stage, graded-density design. Its pleated design provides a longer lifetime and improved flow, which are critical in low pressure applications, such as in CMP.



Superior Manufacturing

- Manufactured in a world-class, ISO 9001 Quality Systems Standard facility
- Manufactured, tested and packaged in a cleanroom to ensure product cleanliness

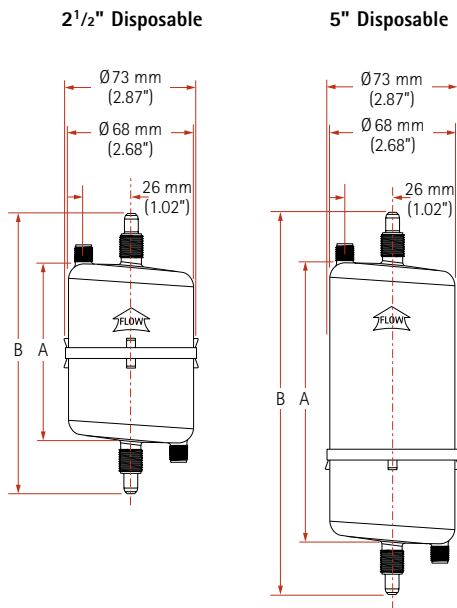
Features and Benefits

Features	Benefits
Pleated depth filter design	Provides customers with superior lifetime and flow
High-retention disposables	Provides a reduction in micro-scratches and total defects
Focused application development	Application-specific product design: <ul style="list-style-type: none"> – Planarcap TPX series is specially designed for ceria and colloidal slurries Optimized to remove defect-causing particles while maintaining a low pressure drop and higher lifetime over existing products

Specifications

Materials:	Media	Pleated depth polypropylene
	Core, cage, shell, support	Polypropylene
Connections:	Inlet/outlet	3/8" or 1/4" Flaretek® fitting
	Vent/drain	1/4" Flaretek fitting or 1/8" MNPT
Maximum operating conditions:	Maximum operating pressure	0.27 MPa (2.7 bar, 40 PSI) @ 25°C (77°F)
	Maximum forward/reverse differential pressure	0.27 MPa (2.7 bar, 40 PSID) @ 20°C (68°F)
	Maximum operating temperature	40°C (104°F)

Dimensions



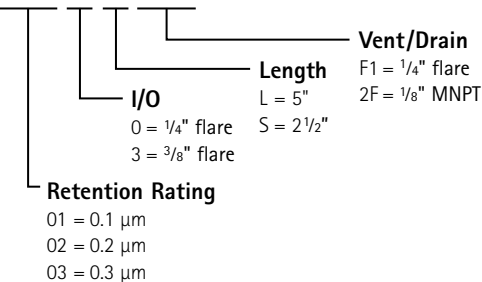
Inlet/Outlet Fitting	2 1/2"		5"	
	A	B	A	B
1/4" flare	98 mm (3.86")	152 mm (5.98")	153 mm (6.02")	208 mm (8.19")
3/8" flare	98 mm (3.86")	152 mm (5.98")	153 mm (6.02")	208 mm (8.19")

Ordering Information

Planarcap TPX Disposable Filters

Part Number

PCT

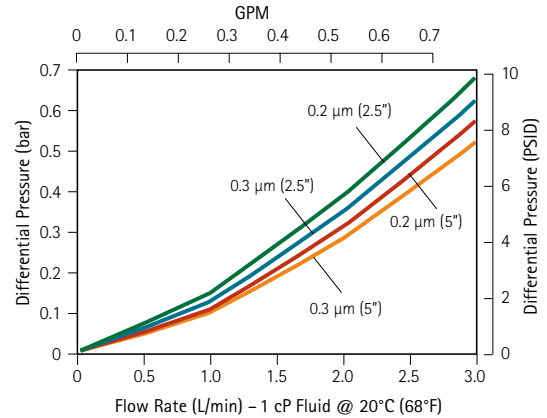


For More Information

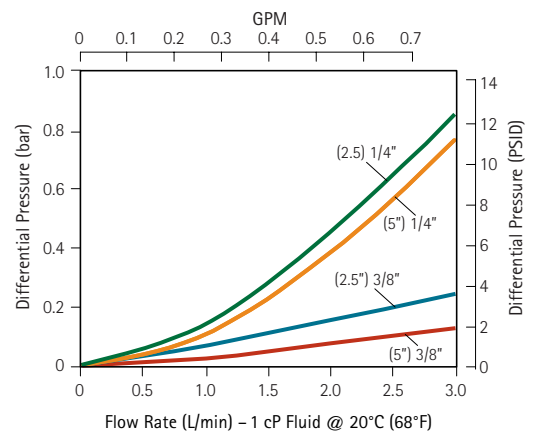
Please call your Regional Customer Service Center today to learn what Entegris can do for you. Visit www.entegris.com and select the Customer Service link for the center nearest you.

Performance Data

Planarcap TPX Disposable Filters with 3/8" Fitting



Planarcap TPX 0.1 µm with 1/4" and 3/8" Fittings



Terms and Conditions of Sale

All purchases are subject to Entegris' Terms and Conditions of Sale. To view and print this information, visit www.entegris.com and select the Legal Notices link from the footer.

Entegris®, Mykrolis®, Flaretek® and Planarcap® are registered trademarks of Entegris, Inc.

ENTEGRIS, INC.

Corporate Headquarters | 129 Concord Road | Billerica, MA 01821 USA
Customer Service Tel. +1 952 556 4181 | Customer Service Fax +1 952 556 8022
In North America 800 394 4083 | www.entegris.com

©2011 Entegris, Inc. All rights reserved Printed in USA 4423-6288TAN-1211



creating a material advantage