



DYMESSION™ SURFACE MOUNT MANIFOLD VALVES

*Custom manifold valves incorporate FlareMount™
sealing technology to provide a clean, reliable seal.*



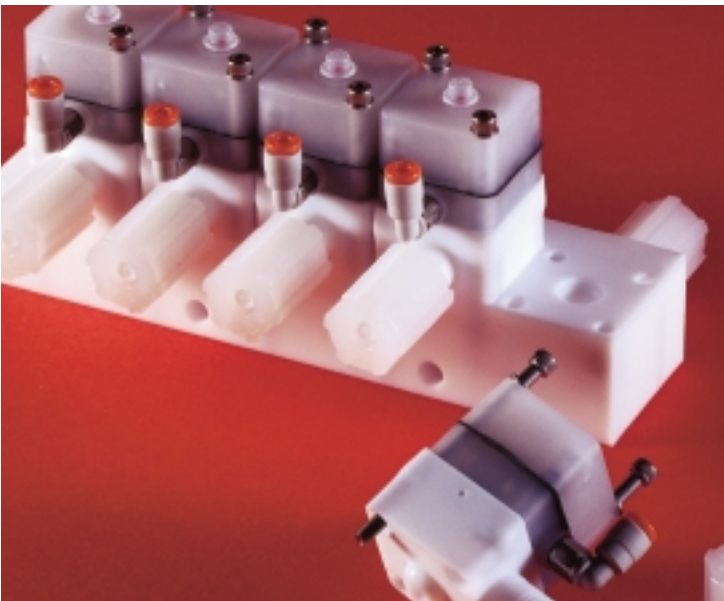
lower cost of ownership

Award Winning Valve Family

Entegris introduces Dymension™ surface mount manifold valves for use in CMP polishers and process tools where space is limited. These manifold valves, which incorporate Galtek® SG actuators and FlareMount™ sealing technology, join the Galtek® SG series family of 2-way and 3-way valves, chosen as *Semiconductor International Editor's Choice Best Product of the Year in 1999*.

Modular Approach to Building Manifolds

FlareMount™ technology is a modular method of mounting valves to a manifold block using proven Flaretek® fitting sealing technology. This surface mount method enables you to replace or change a single valve as needed rather than discard an entire manifold, resulting in a lower cost of ownership.



Interchangeable valves enable design flexibility and field repair.

FlareMount™ Sealing Technology

FlareMount™ sealing technology utilizes Entegris' fully characterized, industry proven Flaretek® flared sealing technology to provide a robust, leak-free seal. This proven technology enables Entegris to seat valves without introducing additional parts, like gaskets and o-rings, that are required in other surface mount valve designs.

Ideal Where Space is Limited

The Galtek® SG series valve is the smallest 1/4" orifice valve featuring PFA and PTFE wetted surfaces in high purity and corrosive semiconductor applications. The manifold's small size offers the equipment manufacturer design versatility and facilitates footprint reduction. This makes it ideal for ultrapure and corrosive applications where space is at a premium, such as valve boxes, chemical mechanical planarization (CMP) and other process tools.

In addition, these valve manifolds have fewer connections, resulting in fewer potential leak points and decreased installation time.

Industry Standard Port Connections

Each valve is offered with 1/4" or 3/8" Flaretek® port connections. The fully characterized, industry standard port connections reduce entrapment areas, provide system design flexibility and simplify valve installation. Dymension™ valve manifolds are available with pneumatic normally open, pneumatic normally closed or manual actuation. Custom port connections are available on request.

Features and Benefits

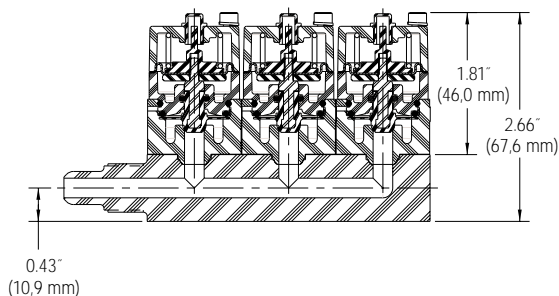
Feature	Benefit
Field replaceable	<ul style="list-style-type: none"> • Lower cost of ownership
FlareMount™ sealing technology	<ul style="list-style-type: none"> • Proven, leak-free seal
No o-rings or gaskets	<ul style="list-style-type: none"> • Cleaner connection • Fewer potential leak points • Easy to make up
Manifold blocks available in PFA or proprietary PTFE	<ul style="list-style-type: none"> • High purity fluid handling • Chemical resistance • Easy to clean
Small footprint	<ul style="list-style-type: none"> • Saves valuable equipment space
Industry standard Flaretek® port connection	<ul style="list-style-type: none"> • Easy to install • Reduces entrapment areas • Fully characterized, reliable
Visual position indication	<ul style="list-style-type: none"> • Increases safety

Specifications

Media Pressure at:	70°F (21°C) 80 PSIG (552 kPa) inlet and 40 PSIG (278 kPa) outlet 212°F (100°C) 40 PSIG (276 kPa) inlet and 20 PSIG (286 kPa) outlet
Temperature Range:	73° to 122°F (23° to 50°C), ambient 70° to 212°F (21° to 100°C), fluid
Pneumatic Supply Pressure:	50 PSIG (335 kPa) minimum to 70 PSIG (483 kPa) maximum
Pneumatic Supply Port:	10-32 UNF (M5)
Materials:	All wetted parts are PFA and PTFE. Exterior actuator parts are PVDF, fasteners are stainless steel. Interior actuator parts are PVDF, stainless steel and Viton®.
Typical Flow Factor:	0.29 C _v (4.2 K _v) for 1/4" Flaretek® port connections 0.65 C _v (9.3 K _v) for 3/8" Flaretek® port connections Flow is dependent on the internal flow path configuration.

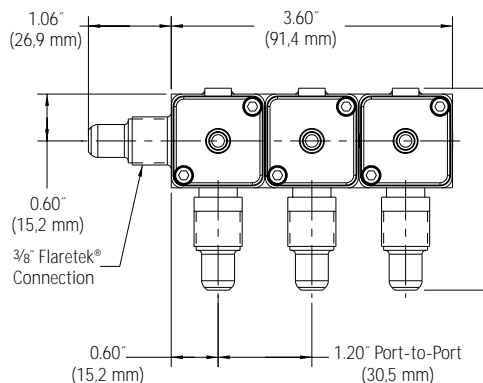
Dimensional Information

Typical example shown with 3/8" connection



Port Connection	Dimension A
1/4" Flaretek®	2.52" (64.0 mm)
3/8" Flaretek®	2.59" (65.8 mm)

Top View



Ordering Information

Dymension™ valve manifolds are built to your specifications. To begin the quoting process for your custom valve block contact your local Entegris distributor or Entegris, Inc. with your configuration requirements.

A custom manifold worksheet is available to help you design your Dymension™ valve manifold. Visit the valve section of Entegris' Web site, www.entegrisfluidhandling.com.

For More Information

For more information on Dymension™ valve manifolds or FlareMount™ sealing technology, contact your local Entegris distributor or Entegris, Inc.

To review our complete line of fluid handling product solutions see Entegris' *Fluid Handling Products* catalog, visit Entegris' Web site at www.entegrisfluidhandling.com or contact Entegris Customer Service for your free *Fluid Handling Products* catalog on CD-ROM.

Terms and Conditions of Sale

AGREEMENT – Entegris expressly limits acceptance to the prices, conditions and terms set forth in this document. Buyer's terms and conditions of purchase shall not apply.

CANCELLATION PRIOR TO SHIPMENT – Entegris may, on a discretionary case-by-case basis, charge Buyer cancellation charges for orders which are cancelled prior to shipment. Buyer should contact their Entegris customer service representative to determine the effect of an order cancellation.

PERFORMANCE – Unless otherwise agreed to in writing, Entegris reserves the right to make design changes which Entegris believes will improve its products. Entegris may also satisfy customer purchase orders by shipping 90-100% of ordered quantities for nonstandard products when shipping lesser quantities provides Entegris operational efficiencies. Entegris shall only charge Buyer for actual quantities shipped. Entegris' performance shall be excused in the event of strikes, accidents, fires, unavailability of materials and all other causes beyond the control of Entegris.

CLAIMS AND RETURNS – Claims for shortages or inaccurate filling of orders must be made to Entegris within thirty (30) days after receipt of goods. All returns must have an accompanying return authorization number issued by Entegris. Returned goods will be accepted only with prior written approval from Entegris and must be returned in unused, resalable condition and in the original packaging and must be at the current revision level. Entegris may charge a reasonable restocking charge on any items which it accepts that are returned for credit or exchange when the error is not Entegris'.

TOOL OWNERSHIP – All tools, dies and patterns produced by or at the request of Entegris shall remain the exclusive property of Entegris. Entegris reserves the right to advertise and/or sell any of the foregoing items and any of its products unless otherwise agreed to in writing by Entegris.

WARRANTY – Entegris warrants each new product against defects in materials and workmanship for the following periods of time from shipment: Microelectronic products, Custom products – 90 days; Entegris® Cleaning Systems and AutoPod™ Wafer Carriers – 1 year; Fluid Handling products (except as separately identified below) including FluoroPure® Chemical Container products – 1 year; Sheetlined Chemical Container products and FluoroPure® PFA Liners (blistering, cracking or leakage only) – 18 months; FluoroPure® o-rings and gasket materials – 90 days. Entegris makes no warranty, express or implied, with respect to any components, products or services provided by any third party. With respect to products specially manufactured to Buyer's specifications, Entegris warrants only that such products have been manufactured, without testing, to Buyer's specifications but makes no other warranty, express or implied. Upon Entegris' confirmation of defects, Entegris agrees, as its **exclusive remedy** to repair or, in its discretion, replace defective product without charge. Entegris is not responsible for product damage resulting from accident, misuse, or lack of reasonable care. **IMPORTANT: No other warranty, written or verbal, is authorized by Entegris. Entegris is not liable for any special, incidental or consequential damages. Implied warranties of merchantability and fitness for a particular purpose are specifically disclaimed.**

Entegris®, Galtek®, Flaretek®, FluoroPure®, AutoPod™, Dymension™ and FlareMount™ are trademarks of Entegris, Inc. Viton® is a registered trademark of DuPont Dow Elastomers.

ENTEGRIS, INC.

Corporate Headquarters / 3500 Lyman Boulevard / Chaska, Minnesota 55318 USA
Customer Service Tel. 952-556-4196 / In North America 800-394-4084 / Customer Service Fax 952-556-8022
www.entegris.com / www.entegrisfluidhandling.com

The materials integrity management company

©2003 Entegris, Inc. Printed in USA 3340-1429MAX-0803