



**FLUOROPURE® 200 LITER
HDPE DRUMS**

*A cost-effective, safe chemical package
manufactured in Taiwan*



safe, high-purity chemical transport

Entegris is a world leader in providing high-performance materials integrity management solutions for use in corrosive environments. We provide the most comprehensive portfolio of solutions to help you handle your high-purity, microelectronic grade chemicals from storage and transport to chemical distribution and point-of-use. One such solution is our FluoroPure® 200-liter HDPE blowmolded drum—a multiple-layer drum that offers higher purity, lower trace metals and fewer particles.



Designed to maintain critical materials integrity within the Asia/Pacific region, Entegris' FluoroPure® Trilayer and Advantage Trilayer HDPE drums assure chemical purity.

Manufactured in Taiwan

Entegris now manufactures FluoroPure® 200-liter HDPE drums in Taiwan. The drum has been specifically designed to protect and transport electronic grade specialty chemicals in the Asia/Pacific market. These drums meet the semiconductor industry's stringent purity requirements while providing a cost-effective, safe and easy-to-use solution for the end user.

Quick Connect Systems

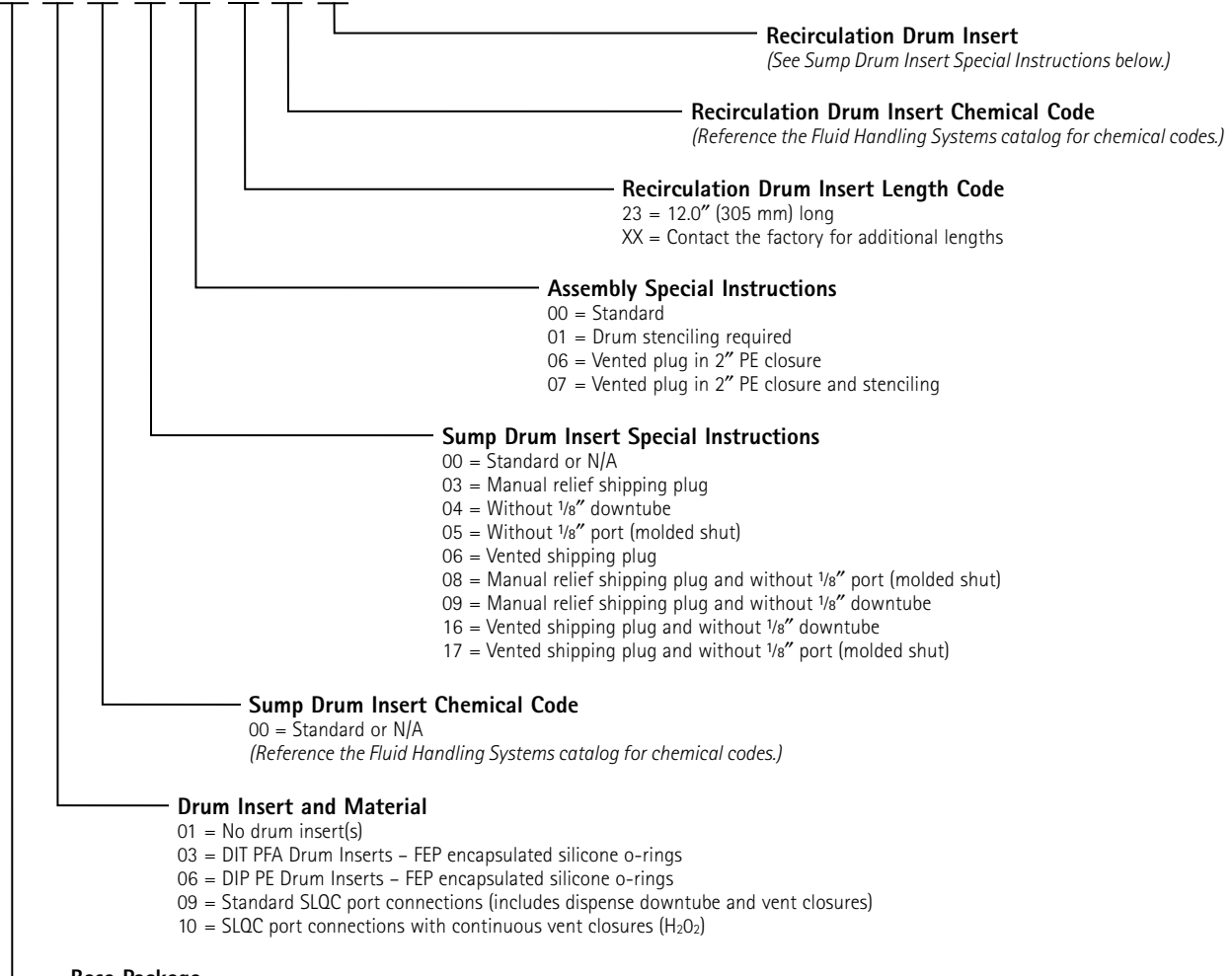
Entegris offers drum connection styles that provide a safe and reliable means of connecting a bulk chemical source to the chemical dispense unit. The Sentry™ Quick Connect System is the industry standard for interfacing FluoroPure® containers with bulk chemical delivery systems safely and conveniently. The patented design is key coded to ensure against unsafe chemical mixing while guaranteeing dedicated clean service.

In addition to the standard Quick Connect System, we offer a Sentry™ Single Line Quick Connect (SLQC) that is suitable for one-way or multi-use applications. This connection style is based on Entegris' patented Flaretek® technology, resulting in o-ring free dispense and vent connections without chemical key coding.

Ordering Information

Part Number

XX XX XX-XX XX-XX XX XX



AX = Asia/Pacific Trilayer Drum (170 kPa)

CX = Asia/Pacific Trilayer Drum (300 kPa)

A1 = 55 gallon drum with EPDM o-rings (black)

A2 = 55 gallon drum with Viton® o-rings (black with white dot)

A3 = 55 gallon drum with FEP encapsulated silicone o-rings

A4 = 55 gallon drum with EPDM o-rings (black) and weep holes in top chime

A5 = 55 gallon drum with Viton® o-rings (black with white dot) and weep holes in top chime

A6 = 55 gallon drum with FEP encapsulated silicone o-rings and weep holes in top chime (not an option for -06 drum inserts)

AA = 55 gallon drum with POE o-rings

AB = 55 gallon drum with POE o-rings and weep holes in top chime

C3 = 55 gallon drum with FEP encapsulated silicone o-rings (2" closure only)

C6 = 55 gallon drum with FEP encapsulated silicone o-rings and weep holes in top chime (2" closure only)

BX = Asia/Pacific Advantage Trilayer Drum (170 kPa)

DX = Asia/Pacific Advantage Trilayer Drum (300 kPa)

B1 = 55 gallon drum with EPDM o-rings (black)

B2 = 55 gallon drum with Viton® o-rings (black with white dot)

B3 = 55 gallon drum with FEP encapsulated silicone o-rings

B4 = 55 gallon drum with EPDM o-rings (black) and weep holes in top chime

B5 = 55 gallon drum with Viton® o-rings (black with white dot) and weep holes in top chime

B6 = 55 gallon drum with FEP encapsulated silicone o-rings and weep holes in top chime (not an option for -06 drum inserts)

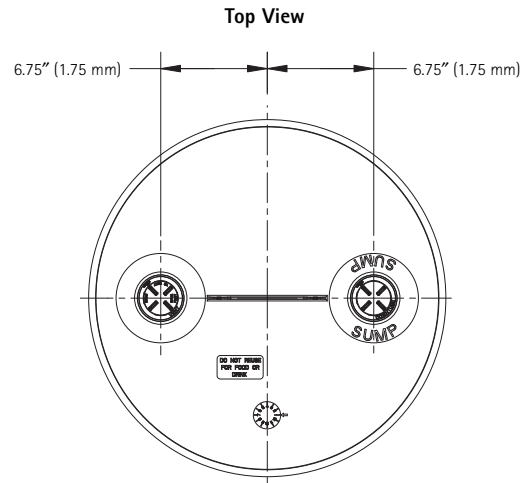
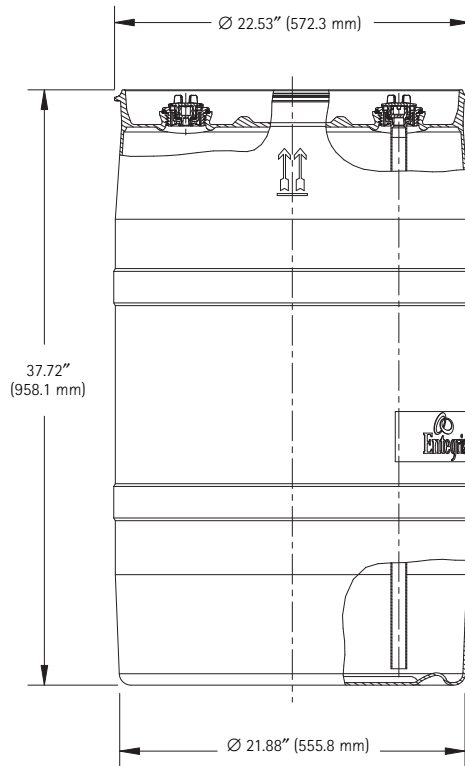
BA = 55 gallon drum with POE o-rings

BB = 55 gallon drum with POE o-rings and weep holes in top chime

D3 = 55 gallon drum with FEP encapsulated silicone o-rings (2" closure only)

D6 = 55 gallon drum with FEP encapsulated silicone o-rings and weep holes in top chime (2" closure only)

Dimensions



Specifications

Description

Construction:	Blowmolded multilayer high-density polyethylene
Tare weight:	27.5 lbs (12.5 kg)
Size:	200 liter (55 gallon)
Approvals*:	UN 1H1/Y1.9/170 TW/EPT-CR6001 UN 1H1/Y1.9/300 TW/EPT-CR6002

*FluoroPure® Trilayer and Advantage Trilayer HDPE drums manufactured in Taiwan are available in both 170 kPa and 300 kPa (ammonium hydroxide) UN ratings.

For More Information

For more information on FluoroPure® HDPE drums made in Taiwan or the complete line of chemical container packaging solutions, contact Entegris, Inc.

To review our complete line of fluid handling product solutions, see Entegris' *Fluid Handling Systems* catalog, visit Entegris' Web site at www.entegrisfluidhandling.com or contact Entegris Customer Service for your free *Fluid Handling Systems* catalog on CD-ROM.

Terms and Conditions of Sale

All purchases are subject to Entegris' "Terms and Conditions of Sale."

Entegris®, Flaretek®, FluoroPure® and Sentry™ are trademarks of Entegris, Inc. Viton® is a registered trademark of DuPont Dow Elastomers.

ENTEGRIS, INC.

Corporate Headquarters / 3500 Lyman Boulevard / Chaska, Minnesota 55318 USA
Customer Service Tel. 952-556-4196 In North America 800-394-4084 / Customer Service Fax 952-556-8022
www.entegris.com | www.entegrisfluidhandling.com

The materials integrity management company

©2005 Entegris, Inc. Printed in USA 3560-2342MAX-1105