



**FLUOROPURE® HDPE DRUM WITH  
SURPASS™ PE PUSH DOWN CONNECTOR**

*An innovative, high-purity chemical packaging  
solution designed for the Asia/Pacific market  
that is safe, cost-effective and easy to use*



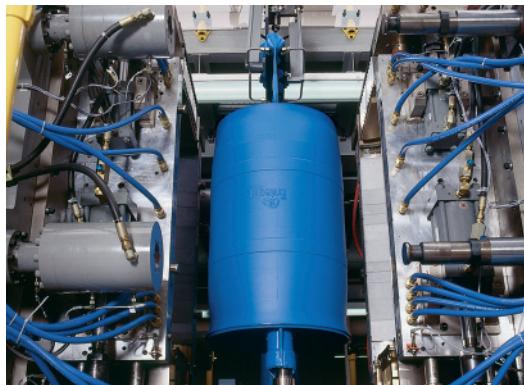
# safe, cost-effective, easy to use

## Overview

Purity and safety are maintained when transporting electronic-grade specialty chemicals in Entegris' FluoroPure® Trilayer and Advantage HDPE drums. Now, Entegris has partnered with Surpass Industry Co. to modify their standard Surpass™ PE Push Down Connector to mate with the Entegris Asia-size drum. This package assembly has been United Nations (UN) approved for the transportation of Group II and III chemicals. Customers using the Surpass Push Down Drum Connector can easily integrate Entegris HDPE drums as part of their chemical delivery system. Fabs can save time and money by pairing their existing Surpass connectors with Entegris drums. Entegris' new package protects your valuable chemicals during transportation and dispense.

## Surpass Industry

The PE Push Down Connector from Surpass is a leader in single-line connection systems for the Asian semiconductor market. Surpass has provided reliable products for the semiconductor industry since 1982.



Entegris' FluoroPure HDPE drums meet the industry's stringent purity requirements and maintain the integrity of your valuable chemicals.

## Features and Benefits

- Fabs using Surpass Push Down Quick Connectors are able to easily integrate Entegris HDPE drums without changing their drum connection system
- Chemical companies can purchase the UN-approved Entegris drum with the Surpass Dip Tube already assembled, providing a single source for this package
- A key-coded connection system helps prevent inadvertent connection of the wrong chemical
- The assembled package is pressure tested inside a Class 100 cleanroom prior to shipment assuring proper assembly and leak-free performance

## Specifications

### Trilayer and Advantage Trilayer Drum

Materials:	Blowmolded multilayer high-density polyethylene
Tare weight:	12 Kg (26.5 lb)
Size:	200 L (55 gal)
Transport approvals:	UN 1H1/Y1.9/170 TW/EPT-CR6001

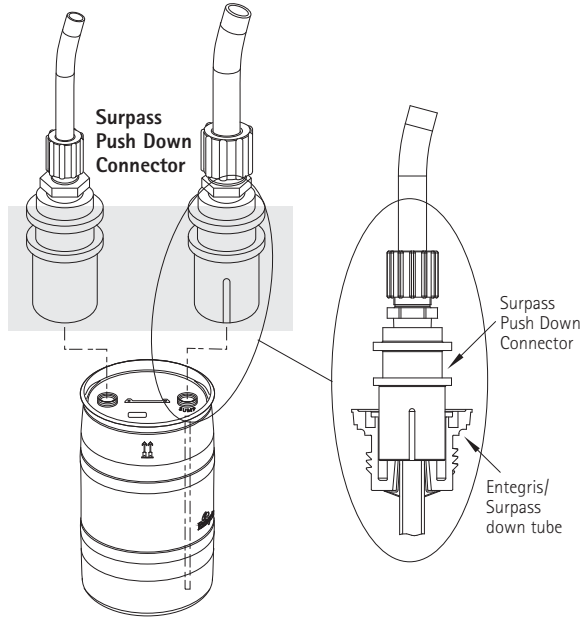
### Surpass PE Push Down Connector\*

Materials:	Polyethylene
Connection:	50.8 mm (2.0") buttress thread
Transport approvals:	DOT/UN Group II, Group III
Options:	Continuous vent shipping cap (H <sub>2</sub> O <sub>2</sub> )

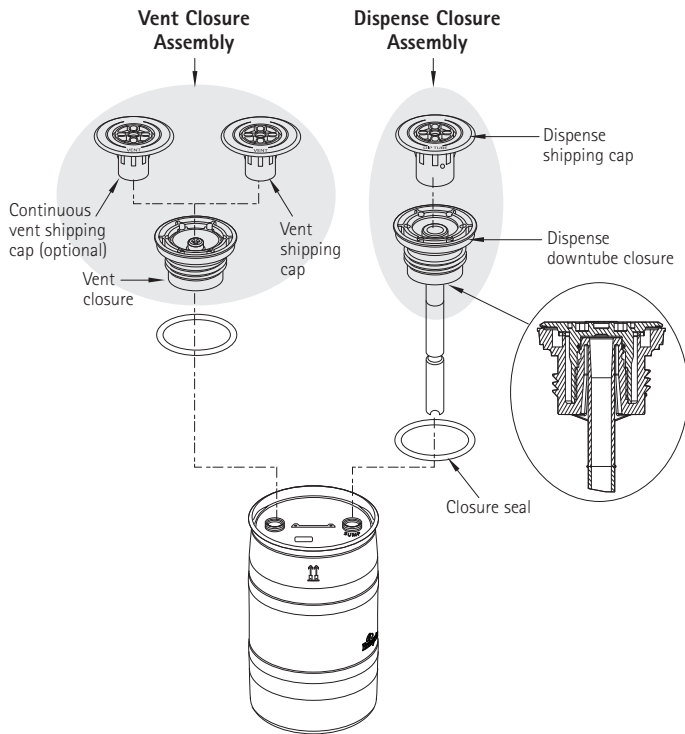
\* The upper half (female side) of the Surpass PE Push Down Connector can be purchased directly from Surpass Industry Co.

# Product Assembly

## Dispense

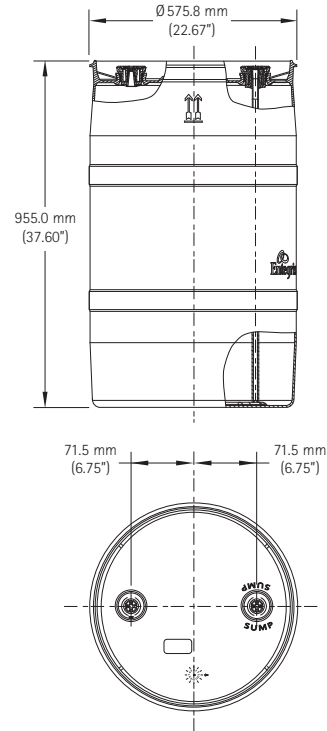


## Transport

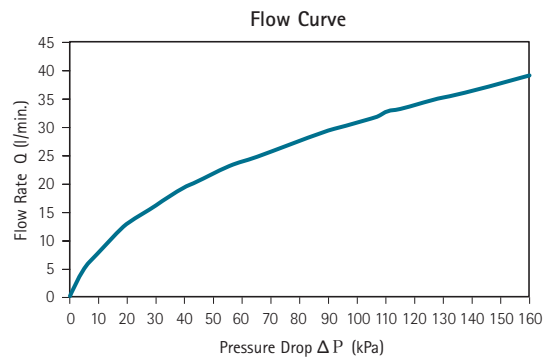


# Dimensions

## FluoroPure Trilayer/Advantage Trilayer Drum



# Performance Data



## Ordering Information

### FluoroPure HDPE Drum with Surpass PE Push Down Connector

#### Part Number

XX XX 00-00 XX

#### Assembly Special Instructions

00 = Surpass PE gas side plug (standard)

10 = Surpass continuous vent in cap on non-sump side (gas side)

#### Sump Drum Insert Instructions

00 = N/A or standard

#### Sump Drum Insert Chemical Code

00 = N/A

#### Sump Port

01 = No drum insert (in Sump Port)

30 = Surpass PE DI w/07 key groove, EPDM o-ring

31 = Surpass PE DI w/08 key groove, EPDM o-ring

32 = Surpass PE DI w/09 key groove, EPDM o-ring

33 = Surpass PE DI w/15 key groove, EPDM o-ring

34 = Surpass PE DI w/16 key groove, EPDM o-ring

40 = Surpass PE DI w/07 key groove, FKM o-ring

41 = Surpass PE DI w/08 key groove, FKM o-ring

42 = Surpass PE DI w/09 key groove, FKM o-ring

43 = Surpass PE DI w/15 key groove, FKM o-ring

44 = Surpass PE DI w/16 key groove, FKM o-ring

#### Base Package

##### Trilayer EPT drum

A1 = EPDM o-rings (black)

A2 = Viton® o-rings (black w/white dot)

A3 = FEP encap. silicone o-rings (DIT only)

A4 = EPDM o-rings (black) and weep holes

A5 = Viton o-rings (black w/white dot) and weep holes

A6 = FEP encap. silicone o-rings and weep holes (DIT only)

AA = POE o-rings

AB = POE o-rings and weep holes

##### Advantage Trilayer EPT drum

B1 = EPDM o-rings (black)

B2 = Viton o-rings (black w/white dot)

B3 = FEP encap. silicone o-rings (DIT only)

B4 = EPDM o-rings (black) and weep holes

B5 = Viton o-rings (black w/white dot) and weep holes

B6 = FEP encap. silicone o-rings and weep holes (DIT only)

BA = POE o-rings

BB = POE o-rings and weep holes

#### Special Wrench Adaptors

01-1005671 – For plug body (POU and gas side)

01-1005672 – For shipping cap (POU and gas side)

## For More Information

Please call your Regional Customer Service Center today to learn what Entegris can do for you. Visit [www.entegris.com](http://www.entegris.com) and select the “Customer Service” link for the center nearest you.

## Terms and Conditions of Sale

All purchases are subject to Entegris’ “Terms and Conditions of Sale.” To view and print this information, visit Entegris’ website at [www.entegris.com](http://www.entegris.com) and select the Legal Notices link from the footer found on the home page.

Entegris® and FluoroPure® are registered trademarks of Entegris, Inc.  
Viton® is a registered trademark of DuPont Dow Elastomers, L.L.C.  
Surpass™ is a trademark of Surpass Industry Co., Ltd.

#### ENTEGRIS, INC.

Corporate Headquarters / 3500 Lyman Boulevard / Chaska, Minnesota 55318 USA  
Customer Service Tel. +1 952-556-4181 / Customer Service Fax +1 952-556-8022  
[www.entegris.com](http://www.entegris.com)