



INTEGRA® VALVES WITH ESPY® SENSING COMPONENTS

The Effects of Spray Down Applications

Product Enhancement

Entegris has enhanced its standard Integra® valves by teaming them with Espy® sensing components. This technology partnership gives you the option to incorporate leak detection and position indication into your process. Taking advantage of these convenient options will give you immediate notification of media leaks and valve position – increasing safety, decreasing contamination and providing instantaneous system verification.

A leak detection port is conveniently molded into each standard Integra® valve. Equipping this leak detection port with an Espy® control module and sensing probe tip provides an early warning, protecting your system if there is a leak. A position indication adapter is also available on select Integra® valves. This option allows you to verify valve position – instantly checking your system from a remote location.

Spray Down Applications

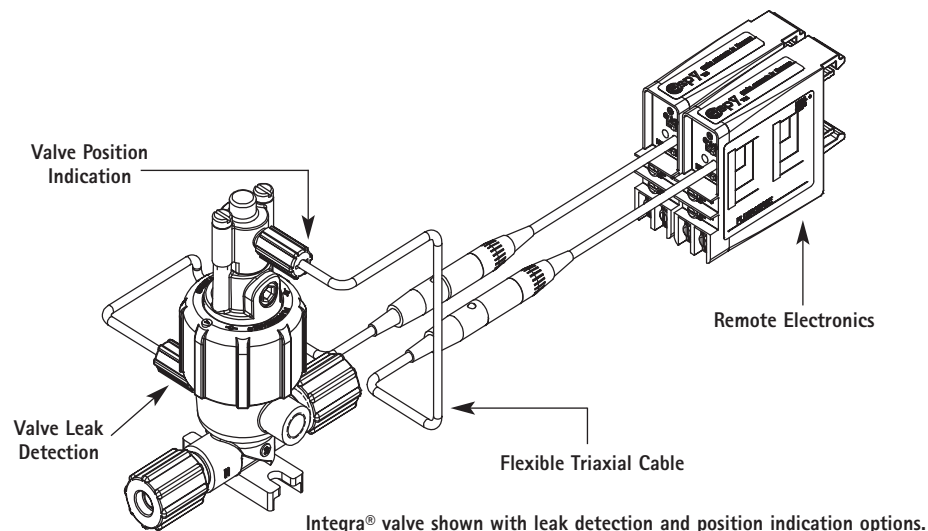
The sensors and adapters were designed to allow air compressed by the valve diaphragm motion to escape the cavities via the vented sensor probe fastening nut. Subjecting the valves and sensors to periodic spray down or total submersion may cause liquid to make its way to the probe tip. If this should occur, the sensor could activate, incorrectly indicating a leak. This condition is easily corrected by simply removing the probe tip from the adapter, drying it off, and reinstalling the probe.

Espy® Sensor Probe Tip

Entegris testing has shown that mounting orientation may influence the sensor's performance in a wet application. Please contact Entegris to learn which orientation is best for your application.

For More Information

Contact your local Entegris distributor or visit Entegris' Web site at www.entegris.com.



Entegris® and Espy® are registered trademarks of Entegris, Inc.
Integra® is a registered trademark of Fluoroware, Inc.

NT INTERNATIONAL, An Entegris Company

5155 East River Road / Minneapolis, Minnesota 55421 USA
Customer Service Tel. 763-502-0200 or Toll Free 877-503-0200 / Customer Service Fax 763-502-0300
www.entegris.com / www.nt-intl.com

ENTEGRIS, INC.

Corporate Headquarters / 3500 Lyman Boulevard / Chaska, Minnesota 55318 USA
Tel. 952-556-3131 / Fax 952-556-1880
www.entegris.com