



CHEMLOCK® PFA HOUSING

Less tool space, less handling, less hassle

Overview

Entegris' Chemlock® PFA housing offers a space-saving solution like no other cartridge filter housing available today. This revolutionary housing locks the cartridge into the bowl, allowing the bowl and cartridge to be removed as a single unit.

Easier Cartridge Changeout

Cartridge changeout has never been easier. The Chemlock bowl is used as a tool when installing and removing a cartridge. After the cartridge is inserted into the bowl, a ¼-turn locks the cartridge into place. The Chemlock bowl and cartridge filter can be installed into a Chemlock head, quickly and easily. By turning the locking ring, the cartridge is pushed vertically into the housing head, ensuring perfect alignment and double o-ring engagement every time. Operators do not have to touch the cartridge body during cartridge changeout, which minimizes exposure to chemicals.

Reduced Footprint

The Chemlock PFA housing has fully molded fittings in several fitting types and sizes, in an extremely compact housing head design. The Chemlock housing is offered in a universal (nominal 10") and 20" length to accommodate a wide variety of cartridges.

Improved Reliability

The cartridge locking feature prevents the cartridge from falling out or being pushed out by back pressure. Vertical installation ensures that o-rings will not roll.



Minimal Space Requirements

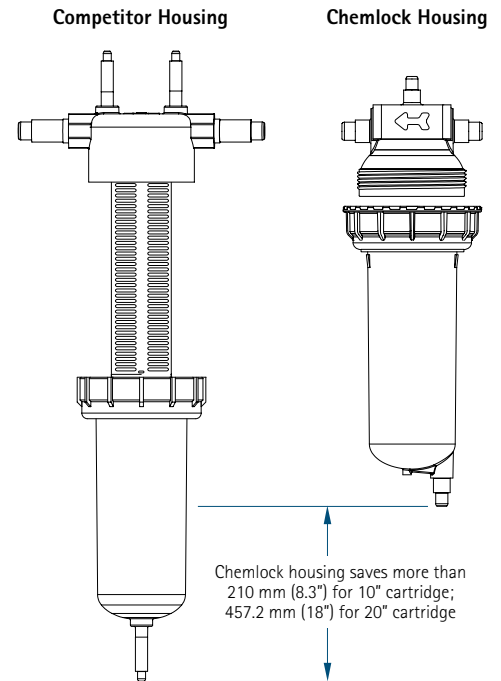
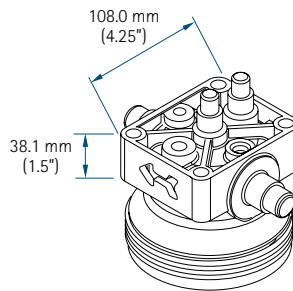
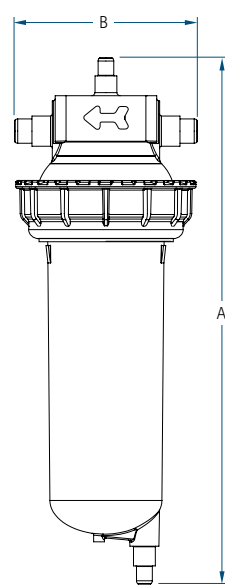
The compact design provides a vertical space-saving advantage for cartridge changeout. The Chemlock housing saves a minimum of 8" of vertical space over traditional housing installations. Cartridges can be removed with minimal clearance. Standard housings require dedicated space in the filtration system to lower a housing bowl below the cartridge. The fully molded Chemlock head also has the smallest footprint available anywhere.

Features	Benefits
Smaller footprint, "minimal-clearance" cartridge/bowl design	Tremendous tool space savings over traditional housings; requires less space for cartridge changeout.
Cartridge locks into bowl with simple ¼-turn twist	Lock-in cartridge reduces required overall footprint and cartridge changeout space. Turning the bowl locking ring perfectly seats the cartridge in the head with double o-ring engagement and straight alignment every time.
Compact head with molded-on fittings	Minimal footprint with fittings and configurations to ensure compatibility for most filtration applications.
Easier cartridge changeout	Provides virtually hands-free cartridge changeout for maximum safety and cleanliness. Allows quick installation and minimizes downtime while limiting the handling of hazardous chemicals during installation and disposal process, promoting a safer workplace.

Specifications

Materials:	Head, molded-on fittings, bowl, plugs	PFA 440 HP or equivalent
	O-ring	Teflon® encapsulated Viton® (TEV)
	Locking ring (nonwetted part)	PVDF or GFPP (glass-filled polypropylene)
	Mounting hardware – nuts and bolts (nonwetted parts)	PVDF
Fluid connections:	See Ordering Information.	
Cartridge connections:	Code 0 (dual 2-222 o-rings)	
Operating conditions:	Maximum inlet pressure	0.3 MPa (3.0 bar, 43 PSI) @ 100°C (212°F) 0.75 MPa (7.5 bar, 110 PSI) @ 25°C (77°F)
	Maximum operating temperature	100°C (212°F)

Dimensions



Inlet/Outlet	Vent/Drain	Dimensions		
		B	A (11" Housing)	A (20" Housing)
3/4" Flaretek®	1/2" Flaretek	156 mm (6.2")	434 mm (17.1")	681 mm (26.8")
1" Flaretek	1/2" Flaretek	168 mm (6.6")	434 mm (17.1")	681 mm (26.8")
3/4" pipe	1/4" pipe	201 mm (7.9")	416 mm (16.4")	663 mm (26.1")
3/4" pipe	—	201 mm (7.9")	398 mm (15.7")	644 mm (25.4")
3/4" NPT	1/4" NPT	134 mm (5.3")	378 mm (15.0")	622 mm (24.5")
3/4" Super*	1/2" Super*	178 mm (7.0")	431 mm (17.0")	683 mm (26.9")
1" Super*	1/2" Super*	156 mm (6.1")	431 mm (17.0")	683 mm (26.9")
3/4" S300**	1/2" S300**	170 mm (6.7")	431 mm (17.0")	678 mm (26.7")

*Super Type Pillar® fittings

**Super 300 Type Pillar fittings

Ordering Information

Chemlock PFA Heads, Bowls and Kits

T-LINE HOUSING HEADS PART NUMBER

	Inlet/Outlet Fitting	Vent/Drain Fitting
YY56 HP 203	3/4" S300**	1/2" S300**
YY56 HP 243	1" S300**	1/2" S300**
YY56 HP 20P	3/4" Super*	1/2" Super*
YY56 HP 24P	1" Super*	1/2" Super*
YY56 HB 20B	3/4" pipe	1/4" pipe
YY56 HO 00B	3/4" pipe	—
S4411M026B08	3/4" Flaretek	1/4" Flaretek
YY56 HF 20F	3/4" Flaretek	1/2" Flaretek
YY56 HF 24F	1" Flaretek	1/2" Flaretek
YY56 HA 20A	3/4" FNPT	1/4" FNPT

HOUSING BOWLS PART NUMBER

11" Bowl Length		20" Bowl Length		Vent/Drain Fitting
Locking Ring Material				
PVDF	GFPP	PVDF	GFPP	
YY56 11 160	—	YY56 20 160	—	1/4" FNPT
YY56 11 170	—	YY56 20 170	—	1/4" pipe
YY56 11 180	SH4J011R04	YY56 20 180	S4411M068B07	1/4" Flaretek
YY56 11 280	SH4J005R04	YY56 20 280	S4411M011B06	1/2" Flaretek
YY56 11 250	SH4J006R04	YY56 20 250	S4411M022B09	1/2" Super*
YY56 11 253	SH4J008R04	YY56 20 253	S4411M023B09	1/2" S300**

HOUSING KITS (BOWL + HEAD) PART NUMBER

11" Bowl Length		20" Bowl Length		Inlet/Outlet Fitting	Vent/Drain Fitting
Locking Ring Material					
PVDF	GFPP	PVDF	GFPP		
YY56 11 20A	—	YY56 20 20A	—	3/4" FNPT	1/4" FNPT
YY56 11 20B	—	YY56 20 20B	—	3/4" pipe	1/4" pipe
YY56 11 20E	YY56 11 G0E	YY56 20 20E	YY56 20 G0E	3/4" Flaretek	1/4" Flaretek
YY56 11 20F	YY56 11 G0F	YY56 20 20F	YY56 20 G0F	3/4" Flaretek	1/2" Flaretek
YY56 11 21F	YY56 11 G1F	YY56 20 21F	YY56 20 G1F	1" Flaretek	1/2" Flaretek
YY56 11 20P	YY56 11 G0P	YY56 20 20P	YY56 20 G0P	3/4" Super*	1/2" Super*
YY56 11 203	YY56 11 G03	YY56 20 203	YY56 20 G03	3/4" S300**	1/2" S300*
YY56 11 213	YY56 11 G13	YY56 20 213	YY56 20 G13	1" S300**	1/2" S300**

Accessories Part Number

	Description	Quantity/Pkg.
YY46 000 04	Chemlock/Chemgard™ integrated housing wrench	1
YY56 000 10	Spare mounting hardware kit: (4) PVDF 3/8" - 16 × 63.5 mm (2.5") hex head cap screw (4) PVDF nuts 3/8" - 16	1 kit
YY56 101 02	Spare o-ring, 2-344, soft TEV	3
YY46 101 08	Spare o-ring, 2-344, Kalrez® perfluoroelastomer resin	1
P01002J	Spare o-ring, 2-344, Viton fluoropolymer resin	1
YY46 101 90	L-mounting bracket	1

*Super Type Pillar fittings **Super 300 Type Pillar fittings

Note: See the last page of this data sheet for locking ring compatibility and warning.

Ordering Information (continued)

Chemlock cartridges are compatible with the Chemlock PFA and Chemlock PP housings. Cartridges can be ordered by adding either a “K” or a “Y” to the end of a standard cartridge catalog number depending on the product family. Standard cartridges (without the key) are still available under their usual catalog number.

Any standard 10” Code 0 cartridge can be used with the universal Chemlock PFA housing. Only Chemlock cartridges can utilize the cartridge locking mechanism. Use of a Chemlock key or any other key with a third party cartridge shall void the warranty of the housing and may infringe one or more of Entegris’ pending or issued U.S. and foreign patents. Such patents and warranties do not apply to use of third party cartridges without any key.

Refer to individual cartridge datasheets on www.entegris.com for cartridge ordering information.

For More Information

Please call your Regional Customer Service Center today to learn what Entegris can do for you. Visit www.entegris.com and select the “Customer Service” link for the center nearest you.

Terms and Conditions of Sale

All purchases are subject to Entegris’ “Terms and Conditions of Sale.” To view and print this information, visit Entegris’ website at www.entegris.com and select the Legal Notices link from the footer found on the home page.

Installation*



** IMPORTANT: To ensure a leak-free seal, it is indispensable to follow the instructions from the Chemlock installation manual. To view an electronic file of this manual, go to www.entegris.com.*

Retrofitting

PFA Chemlock bowls are easily retrofitted to Chemgard T-line housings. They are designed to fit with Entegris’ T-line PFA Chemgard heads (Chemlock bowls are not compatible with U-line and in-line Chemgard housings).

An installed Chemgard housing may be retrofitted with a Chemlock bowl and cartridge.

Locking Ring Compatibility

General guideline:

- PVDF locking ring – For acidic and/or oxidizing (H₂O₂) chemicals and water
- GFPP locking ring – For bases (TMAH, NH₄OH ...) and most organic solvents (NMP, cyclohexanone ...)

The distinction above is a general guideline based on the relative compatibility of GFPP and PVDF in common chemicals. For product recommendations in specific chemicals or if you can’t find the configuration you need, please contact your customer representative.



WARNING! Using a locking ring that is not fully compatible with your chemical may result in a seriously hazardous condition due to sudden breakage of the locking ring and chemical exposure.

Entegris,® Mykrolis,® Chemlock,® Flaretek® and Chemgard™ are trademarks of Entegris, Inc. Pillar® is a registered trademark of Nippon Pillar Packaging Company, Ltd. Teflon® is a registered trademark of E.I. du Pont de Nemours and Company. Viton® and Kalrez® are registered trademarks of DuPont Dow Elastomers, L.L.C.

ENTEGRIS, INC.

Corporate Headquarters | 129 Concord Road | Billerica, MA 01821 USA
Customer Service Tel. +1 952 556 4181 | Customer Service Fax +1 952 556 8022
In North America 800 394 4083 | www.entegris.com