



**OPTIMIZER® ST DEV  
DISPOSABLE FILTERS**

*For point-of-use developer and DI water applications  
for use with Optimizer ST manifold*



# the solution for rapid filter changeout

## Overview

Developed from the Mykrolis® family of photo-chemical technologies, Optimizer® ST DEV features:

- Rapid filter changeout with minimal dripping. NO tools and NO draining are required. You can change the filter in less than one minute!
- Self-contained filter structure minimizes contamination due to the handling of membrane cartridges.
- Optimizer ST DEV filter is recommended for use in both positive developer solutions and DI water.
- Used with Optimizer 2 ST manifold to provide rapid filter changeout.
- Compact, stable design provides easy installation or retrofit into existing tools.
- Entegris pleating technology. Added surface area allows for lower pressure drop and maintains filter lifetime as filters become more retentive.

### Superior Manufacturing

- Manufactured by an industry leader in a world class, ISO 9002 quality systems standard facility.
- Manufactured, tested and packaged in a cleanroom to assure product cleanliness at time of installation.

### Superior Performance

- Rapid filter changeout with minimal dripping and minimal exposure to process fluids.
- Disposable point-of-use filters for small to mid-volume process fluid filtration needs.
- Entegris' patented ultra-high molecular weight polyethylene, surface-modified (UPE) membrane eliminates prewetting, optimizes the full use of the membrane and ensures maximum flow.

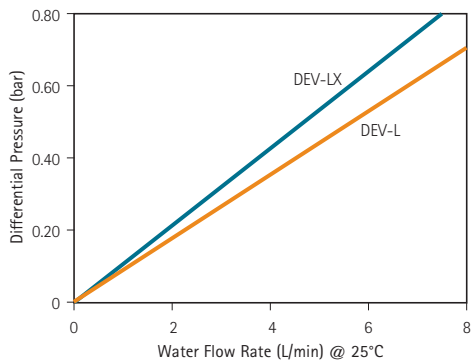
## Specifications

Materials:	Membrane	Patented surface-modified hydrophilic ultra-high molecular weight polyethylene
	Supports	High-density polyethylene (HDPE) supports, core and sleeve
	Disposable shell	Polypropylene
	O-ring	EDPM, Kalrez®
Manifold connections:*	<sup>3</sup> / <sub>4</sub> " and <sup>1</sup> / <sub>2</sub> " male Flaretek® inlet/outlet	
	<sup>1</sup> / <sub>4</sub> " male Flaretek vent and drain	
Filtration area:	DEV	1600 cm <sup>2</sup> (248.0 in <sup>2</sup> )
	DEV-L	3000 cm <sup>2</sup> (465.0 in <sup>2</sup> )
	DEV-L (30 nm)	4500 cm <sup>2</sup> (697.5 in <sup>2</sup> )
	DEV-LX (20 nm)	6300 cm <sup>2</sup> (976.6 in <sup>2</sup> )
Operating conditions:	Maximum inlet pressure	0.39 MPa (3.9 bar, 57 PSI) @ 25°C (77°F)
	Maximum forward/reverse differential pressure	0.28 MPa (2.8 bar, 40 PSID) @ 25°C (77°F)
	Maximum operating temperature	40°C (104°F)

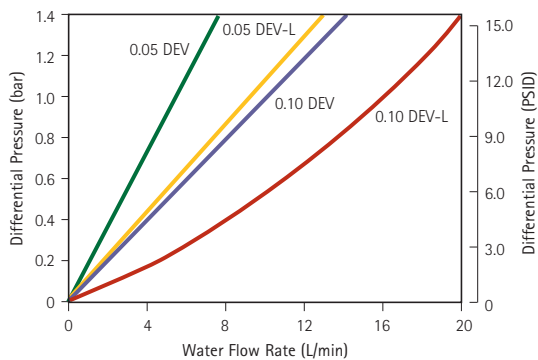
\*Other connections are available. Please contact your local representative.

## Performance Data

Optimizer 30 nm DEV-L and 20 nm DEV-LX Filters  
1/2" Tube Connection Fitting

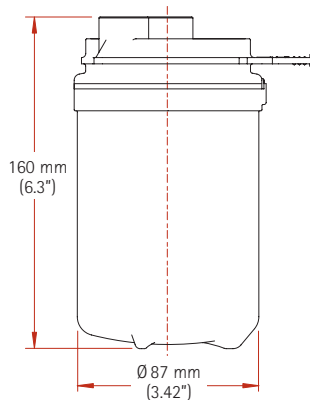


Optimizer DEV and DEV-L Filters  
1/2" Tube Connection Fitting

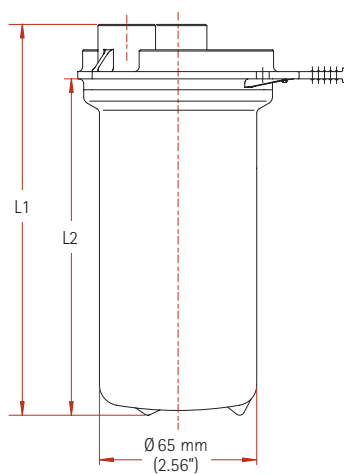


## Dimensions

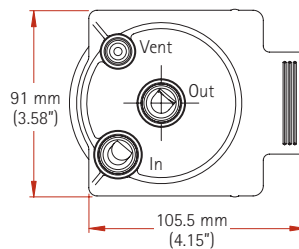
Optimizer ST-LX Filters



Optimizer ST/ST-L Filters



	Short	Long
L1	108 mm (4.25")	162 mm (6.37")
L2	87 mm (3.42")	137 mm (5.39")



## Ordering Information

### Optimizer ST DEV Disposable Filters

Part Number			Description	Rating
EPDM O-ring	Kalrez O-ring	Non O-ring		
AHUZ OSE M1	AHUZ OSK M1	AHUZ OSO M1	Optimizer ST DEV, Short	0.05 $\mu$
AHUV OSE M1	AHUV OSK M1	AHUV OSO M1	Optimizer ST DEV, Short	0.10 $\mu$
AHUY MLE M1	AHUY MLK M1		Optimizer ST DEV, Long	30 nm
AHUZ OLE M1	AHUZ OLK M1	AHUZ OLO M1	Optimizer ST DEV, Long	0.05 $\mu$
AHUV OLE M1	AHUV OLK M1	AHUV OLO M1	Optimizer ST DEV, Long	0.10 $\mu$
AHUX MLE X1	AHUX MLK X1		Optimizer ST DEV-LX	20 nm

## For More Information

Please call your Regional Customer Service Center today to learn what Entegris can do for you. Visit [www.entegris.com](http://www.entegris.com) and select the "Customer Service" link for the center nearest you.

## Terms and Conditions of Sale

All purchases are subject to Entegris' "Terms and Conditions of Sale." To view and print this information, visit Entegris' website at [www.entegris.com](http://www.entegris.com) and select the Legal Notices link from the footer found on the home page.

Entegris®, Mykrolis®, Optimizer® and Flaretek® are registered trademarks of Entegris, Inc. Kalrez® is a registered trademark of DuPont Dow Elastomers, L.L.C.

### ENTEGRIS, INC.

Corporate Headquarters / 3500 Lyman Boulevard / Chaska, Minnesota 55318 USA  
Customer Service Tel. +1 952-556-4181 / Customer Service Fax +1 952-556-8022  
[www.entegris.com](http://www.entegris.com)