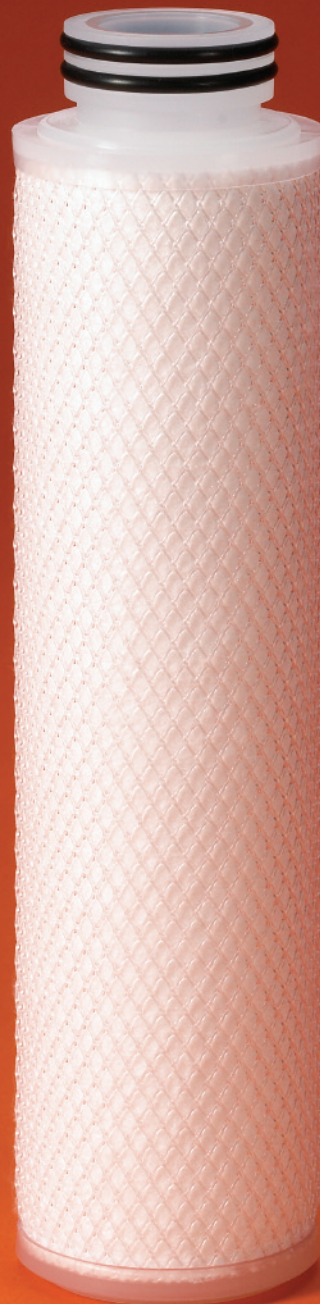




**PLANARGARD® CM CARTRIDGE DEPTH FILTERS**

*Optimized for best balance of particle retention and filter lifetime*



# *optimized for best balance of particle retention and filter lifetime*

## Overview

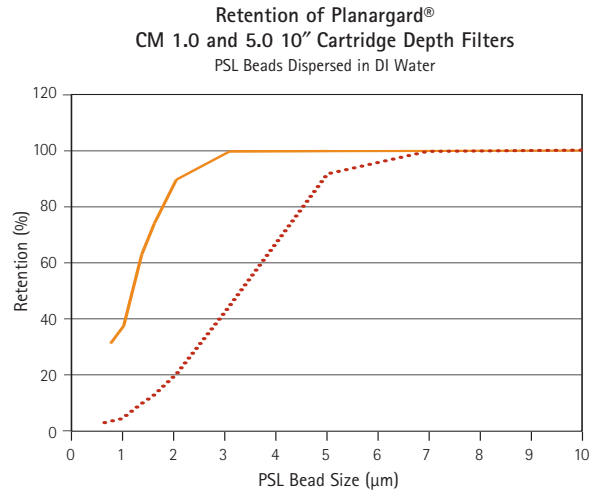
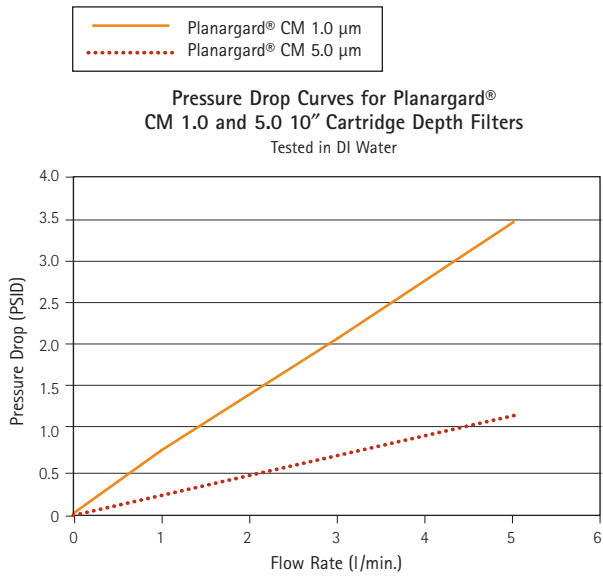
Planargard® CM Cartridge Depth filters have graded density depth media designed for the removal of agglomerates, hard particles and gels from CMP slurries, while allowing bulk small working particles to pass through. Depth media is optimized for best balance of particle retention and filter lifetime.

Features	Benefits
Unique continuous melt-blown multi-gradient depth media	Provides enhanced balance of retention with filter lifetime for current and next generation CMP slurries
Cartridges available in several sizes	Specific for bulk CMP slurry filtration
All-polypropylene construction	Provides cost-effective, clean solution
Available in 1.0, 5.0, 10, 20 and 30 µm pore sizes	Wide availability of retention ratings to match the specific needs of single pass and recirculation applications

## Specifications

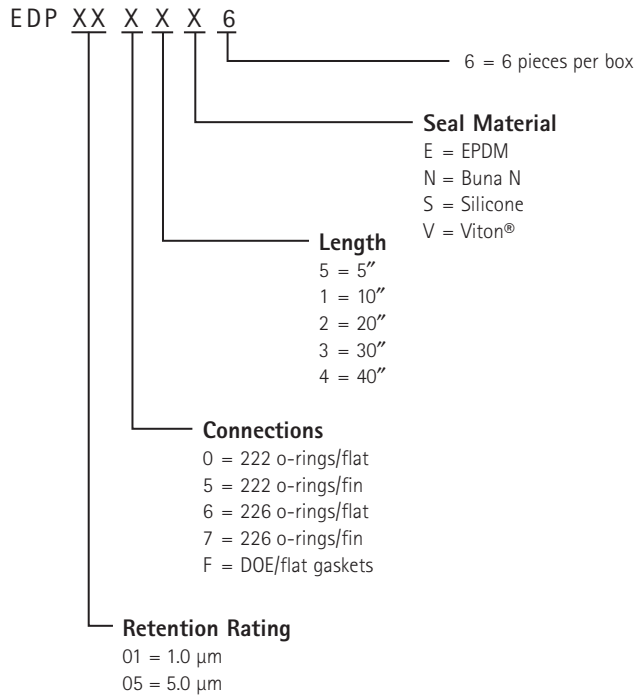
Materials of construction:	Cage/core/caps	Polypropylene
	Filter media	Polypropylene depth filter
Operating conditions:	Maximum forward pressure	3.0 bar (43 PSI) @ 20°C (68°F)
	Maximum reverse pressure	1.5 bar (21 PSI) @ 20°C (68°F)
	Maximum operating temperature	60°C (140°F)
Available sizes and adapters:	Length	5," 10," 20," 30" and 40"
	Adapters	222, 226, DOE and more
Available retention rating:	1.0, 5.0, 10, 20 and 30 µm	

# Performance Data



# Ordering Information

## Planargard® CM Cartridge Depth Filter Part Number



Example: **EDP0501E6**  
 Retention rating = 5 μm  
 Connection = 2-222 o-ring flat  
 Length = 10"  
 Seal material = EPDM  
 Pieces per box = 6

## For More Information

Please call your Regional Customer Service Center today to learn what Entegris can do for you. Visit [www.entegris.com](http://www.entegris.com) and select “Regional Customer Service Centers” for the center nearest you.

## Terms and Conditions of Sale

All purchases are subject to Entegris’ “Terms and Conditions of Sale.” To view and print this information, visit Entegris’ website at [www.entegris.com](http://www.entegris.com) and select the Legal Notices link from the footer found on the home page.

Entegris® and Planargard® are registered trademarks of Entegris, Inc.  
Viton® is a registered trademark of DuPont Dow Elastomers, L.L.C.

---

### **ENTEGRIS, INC.**

Corporate Headquarters / 3500 Lyman Boulevard / Chaska, Minnesota 55318 USA  
Customer Service Tel. 952-556-4181 / Customer Service Fax 952-556-8022  
[www.entegris.com](http://www.entegris.com)

*The materials integrity management company*

©2007 Entegris, Inc. All rights reserved Printed in USA 4423-5032ENT-0607