



CHEMLOCK® PP HOUSING

Less tool space, less handling, less hassle

Overview

Ultimate Space Saving Design

Entegris' Chemlock® PP housing offers a space saving solution like no other cartridge filter housing available today. This revolutionary new housing locks the cartridge into the bowl, allowing the bowl and cartridge to be removed as a single unit.

Easier Cartridge Changeout

Cartridge changeout has never been easier. The Chemlock bowl is used as a tool when installing and removing a cartridge. After the cartridge is inserted into the bowl, a ¼ turn locks the cartridge into place. The Chemlock bowl and cartridge filter can be installed into a Chemlock head, quickly and easily. By turning the locking ring, the cartridge is pushed vertically into the housing head, ensuring perfect alignment and double o-ring engagement every time. Operators do not have to touch the cartridge body during cartridge changeout, which minimizes exposure to chemicals.

Reduced Footprint

The Chemlock PP housing has fully molded fittings in several fitting types and sizes, in an extremely compact housing head design. The Chemlock housing is offered in a universal (nominal 10") length and in a 20" length to accommodate a wide variety of cartridges.



Improved Reliability

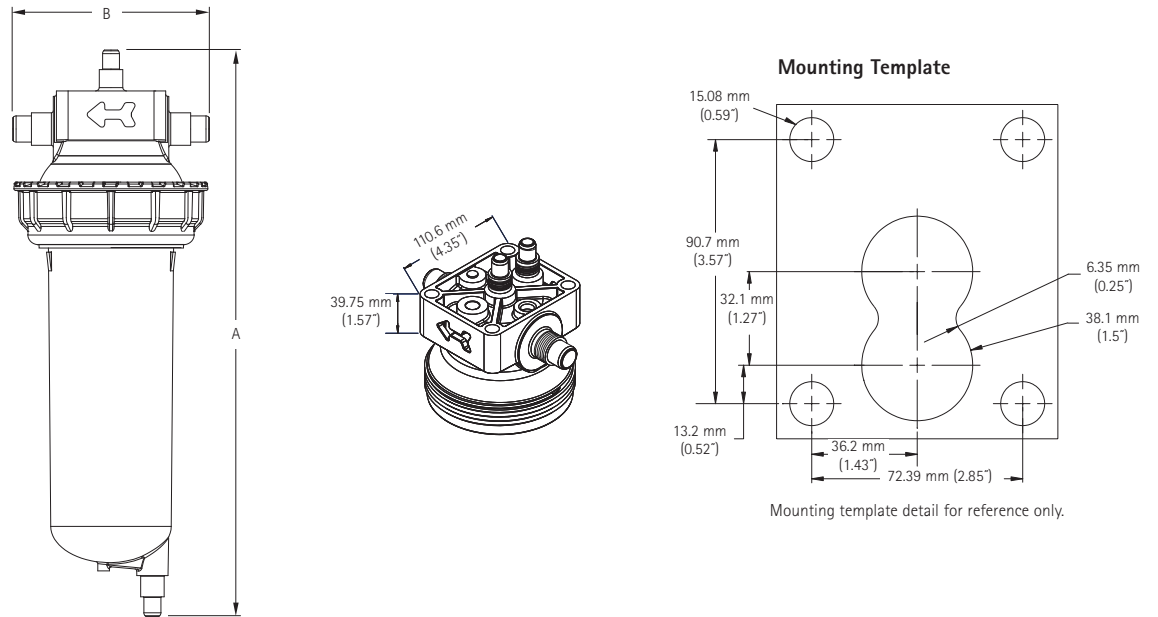
The cartridge locking feature prevents the cartridge from falling out or being pushed out by back-pressure. Vertical installation ensure O-rings will not roll.

| Features | Benefits |
|--|--|
| Smaller footprint, "minimal-clearance" cartridge/bowl design | Saves a minimum of 8 inches of vertical space over traditional housing installations; requires less space for cartridge changeout. |
| Cartridge locks into bowl with simple ¼ turn twist | Lock-in cartridge reduces required overall footprint and cartridge changeout space. Turning the bowl locking ring perfectly seats the cartridge in the head with double o-ring engagement and straight alignment every time. |
| Compact head with molded-on fittings | Minimal footprint with fittings and configurations to ensure compatibility for most filtration applications. |
| Easier cartridge changeout | Provides virtually hands-free cartridge changeout for maximum safety and cleanliness. Allows quick installation and minimizes downtime while limiting the handling of hazardous chemicals during installation and disposal process, promoting a safer workplace. |

Specifications

| | | |
|------------------------|--|------------------------------------|
| Materials: | Head and bowl | Polypropylene (PP) |
| | O-ring | 2-345 EPR |
| | Locking ring | PVDF (nonwetted part) |
| Fluid connections: | FNPT, Flaretek®, union, Rc, or see <i>Ordering Information</i> , page 3. | |
| Cartridge connections: | Code 0, 2-222 o-ring and Chemlock cartridges with key | |
| Operating conditions: | Maximum inlet pressure | 0.14 MPa (1.4 bar, 20 PSI) @ 90°C |
| | | 0.69 MPa (6.9 bar, 100 PSI) @ 25°C |
| | Maximum operating temperature | 90°C (194°F) |

Dimensions



| Inlet/Outlet | Vent/Drain | Dimensions | | |
|---------------|---------------|---------------|-----------------|-----------------|
| | | B | A (11" Housing) | A (20" Housing) |
| 3/4" FNPT | 1/4" NPT | 137 mm (5.4") | 396 mm (15.6") | 646 mm (25.4") |
| 3/4" Flaretek | 1/2" Flaretek | 163 mm (6.4") | 450 mm (17.7") | 700 mm (27.5") |
| 3/4" Rc | 1/4" Rc | 137 mm (5.4") | 396 mm (15.6") | 646 mm (25.4") |
| 1" union | 1/4" NPT | 203 mm (8.0") | 396 mm (15.6") | 646 mm (25.4") |

Ordering Information

Chemlock PP Heads, Bowls and Kits

T-LINE HOUSING HEADS

| Part Number | Inlet/Outlet Fitting | Vent/Drain Fitting |
|-------------|----------------------|--------------------|
| YY66 HO A2A | 3/4" FNPT | 1/4" FNPT |
| YY66 H4 U2A | 1" union | 1/4" FNPT |
| YY66 HO F4F | 3/4" Flaretek | 1/2" Flaretek |
| YY66 H4 F4F | 1" Flaretek | 1/2" Flaretek |
| YY66 HO R2R | 3/4" Rc | 1/4" Rc |

HOUSING BOWLS

| Part Number | 11" Bowl Length | 20" Bowl Length | Vent/Drain Fitting |
|-------------|-----------------|-----------------|--------------------|
| YY66 B1 170 | YY66 B2 170 | | 1/4" FNPT |
| YY66 B1 280 | YY66 B2 280 | | 1/2" Flaretek |
| YY66 B1 150 | YY66 B2 150 | | 1/4" Rc |

HOUSING KITS (BOWLS AND HEADS)

| Part Number | 11" Bowl Length | 20" Bowl Length | Inlet/Outlet Fitting | Vent/Drain Fitting |
|-------------|-----------------|-----------------|----------------------|--------------------|
| YY66 10 A2E | YY66 20 A2E | | 3/4" FNPT | 1/4" FNPT |
| YY66 10 F4E | YY66 20 F4E | | 3/4" Flaretek | 1/2" pipe |
| YY66 10 R5E | YY66 20 R5E | | 3/4" Rc | 1/4" Rc |
| YY66 14 U2E | YY66 24 U2E | | 1" union | 1/4" FNPT |

Accessories

| Part Number | Description | Quantity/Pkg. |
|-------------|--|---------------|
| YY46 000 04 | Chemlock/Chemgard™ integrated housing wrench | 1 |
| YY41 101 06 | Spare o-ring, 2-345, EPR | 3 |
| YY41 101 04 | Spare o-ring, 2-345, Viton® fluoropolymer resin | 3 |
| YY66BRACK | L-mounting bracket (for Chemlock/Chemgard PP housings) | 1 |

Chemlock cartridges are compatible with the Chemlock PFA and Chemlock PP housings. Cartridges can be ordered by adding either a "K" or a "Y" to the end of a standard cartridge catalog number depending on the product family. Standard cartridges (without the key) are still available under their 9-digit catalog number.

Any standard 10" Code 0 cartridge can be used with the universal Chemlock PP housing. Only Chemlock cartridges can utilize the cartridge

locking mechanism. Use of a Chemlock key or any other key with a third party cartridge shall void the warranty of the housing and may infringe one or more of Entegris' pending or issued U.S. and foreign patents. Such patents and warranty do not apply to use of third party cartridge without any key.

Refer to individual cartridge datasheets on www.entegris.com for cartridge ordering information.

Installation



1. Insert cartridge into bowl.



2. Twist filter 1/4 turn to lock.



3. Attach head to bowl.



4. Tighten locking ring to easily seat double o-rings. Use a Chemlock/Chemgard integrated housing wrench to ensure proper tightening.

Retrofitting

Chemlock PP bowls are easily retrofitted to Chemgard housings. They are designed to fit with Entegris' T-Line PP Chemgard heads. An installed Chemgard housing may be retrofitted with a Chemlock bowl and cartridge.

For More Information

Please call your Regional Customer Service Center today to learn what Entegris can do for you. Visit www.entegris.com and select the "Customer Service" link for the center nearest you.

Terms and Conditions of Sale

All purchases are subject to Entegris' "Terms and Conditions of Sale." To view and print this information, visit Entegris' website at www.entegris.com and select the Legal Notices link from the footer found on the home page.

Entegris®, Mykrolis®, Chemlock®, Flaretek® and Chemgard™ are trademarks of Entegris, Inc. Viton® is a registered trademarks of DuPont Dow Elastomers, L.L.C.

ENTEGRIS, INC.

Corporate Headquarters / 3500 Lyman Boulevard / Chaska, Minnesota 55318 USA
Customer Service Tel. +1 952-556-4181 / Customer Service Fax +1 952-556-8022
www.entegris.com