



ULTRAPAK® 100 MM THIN WAFER SHIPPER

*Dramatically enhanced performance
for thin wafer products*

Overview

Entegris' new Ultrapak® 100 mm thin wafer shipper is designed for thin Si and compound semiconductor applications. This design is based on proven Ultrapak performance and materials, but engineered to provide additional support around the perimeter of the wafer in order to better protect thinned substrates. We've added an upper and lower cushion that is specifically engineered for thin wafer support. This cushion design helps prevent wafer cross-slotting, and improves radial support as well.

The 100 mm thin wafer shipper also incorporates secondary packaging designed for fragile thin wafers. This casing holds eight shippers at a time, protecting a total of 200 wafers. During a drop test using Entegris' secondary packaging, no damage to thin wafers was observed in a 0.926 meter (38") drop. The Entegris thin wafer shipper has also passed a battery of other functional tests using thin wafers.

Features and Benefits

The Ultrapak wafer shipper is engineered and manufactured to provide the cleanest wafer edge while delivering maximum protection for wafers during transport.

- Constructed of Entegris' custom polymers to deliver the industry's highest performance
 - High-purity Wafershield™ polypropylene box provides a clean and safe shipping environment
 - Ultrapure polypropylene cassette and cushion insert minimize wafer edge contamination



- Designed to maximize automation interface and efficiency
 - Horizontal and vertical robotic flanges enable easy handling and transport of cassette
 - Center notch track alignment and "H" bar ensure accurate equipment interoperability, both vertically and horizontally
- Fully interoperable with existing Ultrapak environments
 - Drop-in substitute for Ultrapak cassettes
 - Indexing locations, wafer planes and slot height/shape are identical to Ultrapak

Material Description

The Ultrapak box top, bottom, cassette and retainer assembly are manufactured from high-purity Wafershield polypropylene material offering:

- Low inorganics
- Low particle generation
- Low outgassing
- SPI recycle code – 5

Product Specifications

Box

- Length: 146 mm (5.75")
- Width: 162.6 mm (6.42")
- Height: 119.4 mm (4.7")

Cassette

- Length: 143.4 mm (5.65")
- Width: 125.7 mm (4.95")
- Height: 107.8 mm (4.25")
- Inside track width: 61.6 mm (2.43")
- D1: 14.5 mm (0.57")
- Pitch: 114.3 mm (4.5")

Packaging Specifications

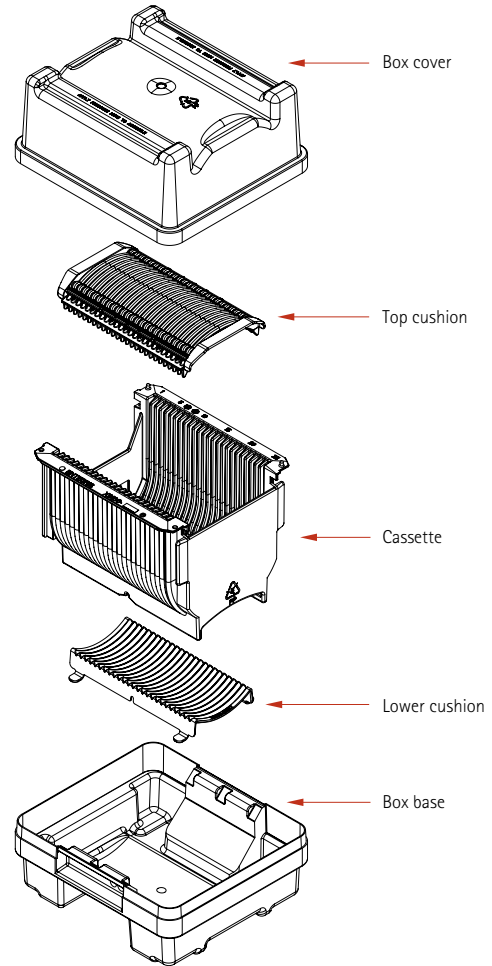
- Case quantity: 36 assemblies
- Case weight: 16 kg (35 lb)
- Case size: 52 cm × 53 cm × 50 cm
(21" × 21" × 20")
- Pallet quantity: 8 cases (288 assemblies)
- Container quantity (20 ft): 24 pallets
(6,912 assemblies)
- Container quantity (40 ft): 52 pallets
(14,976 assemblies)

Ordering Information

Part Number	Description	Minimum Order Quantity
H9100-0050	Standard (offered shrink-wrapped)	144
H9100-0051	Cleaned	144

For More Information

Please call your Regional Customer Service Center today to learn what Entegris can do for you. Visit www.entegris.com and select the Customer Service link for the center nearest you.



Terms and Conditions of Sale

All purchases are subject to Entegris' Terms and Conditions of Sale. To view and print this information, visit www.entegris.com and select the Legal Notices link from the footer.

Entegris[®] Ultrapak[®] and Wafershield[™] are trademarks of Entegris, Inc.

ENTEGRIS, INC.

Corporate Headquarters | 129 Concord Road | Billerica, MA 01821 USA
 Customer Service Tel. +1 952 556 4181 | Customer Service Fax +1 952 556 8022
 In North America 800 394 4083 | www.entegris.com