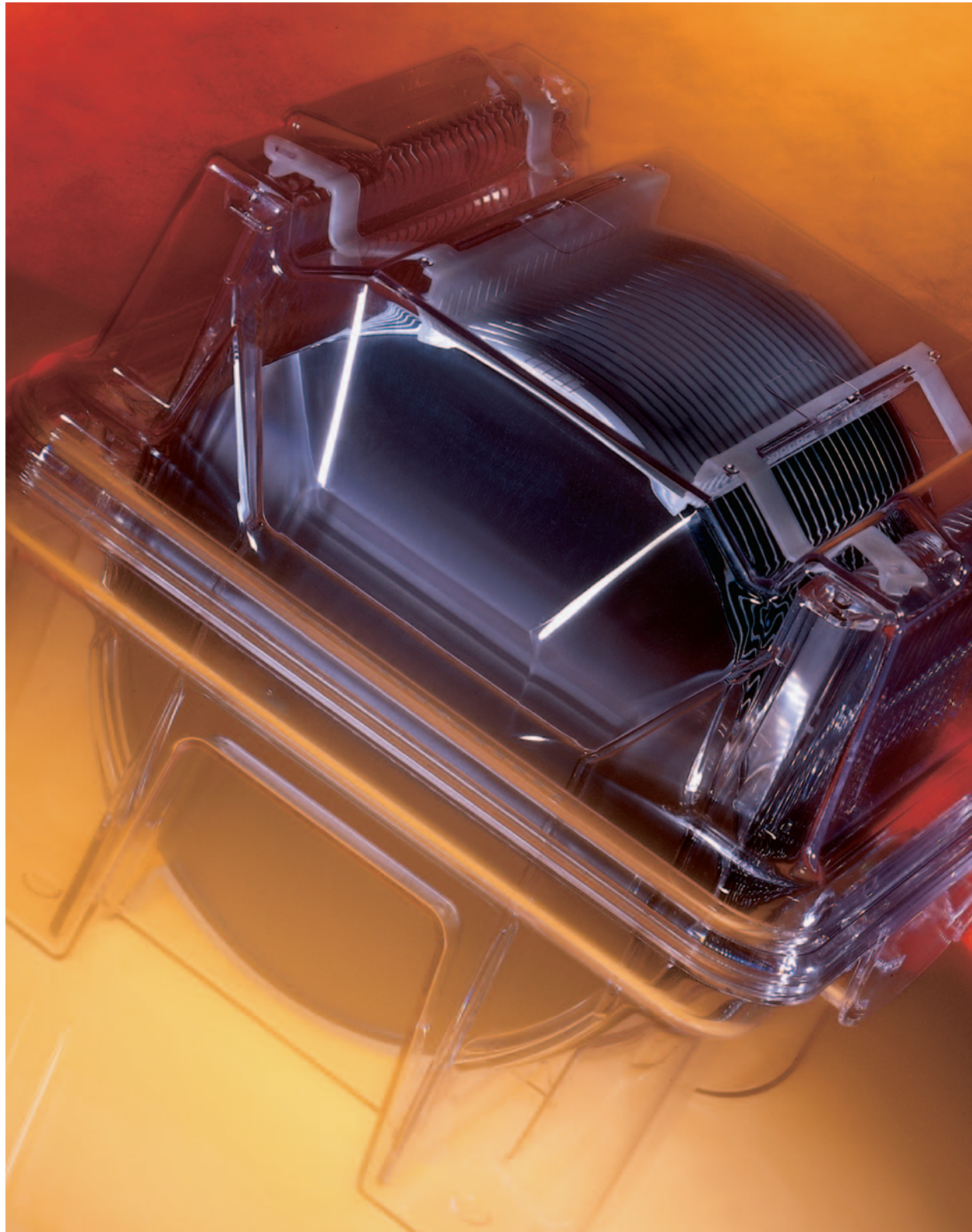




## CRYSTALPAK® WAFER SHIPPING BOX

*The Crystalpak wafer shipping box and 25-capacity cassette provide clean and secure wafer transport, optimum automation interface and the highest overall output for your facility*



# *highest overall output for your facility*

## Overview

### Clean and Secure Wafer Shipping Protection

The 2-piece Crystalpak® box is engineered to provide maximum protection for your 200 mm wafers:

- Manufactured from dimensionally stable, ultra-pure polycarbonate which is low in outgassing
- Removable gasket protects against external contamination
- Patented wafer suspension system minimizes wafer rotation and particle generation
- Ergonomic design ensures proper operator handling
- Pads on wafer supports minimize silicon to polycarbonate contact

### Optimum Automation Performance

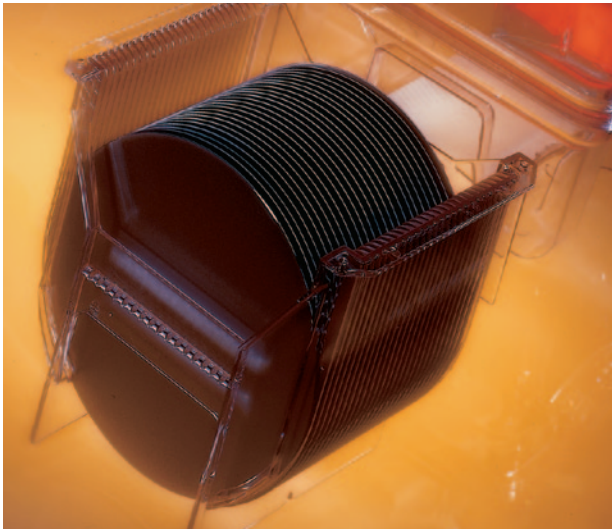
The Crystalpak cassette incorporates a variety of features to provide reliable automation integration and interoperability:

- The only cassette on the market manufactured from polycarbonate, ensuring dimensional stability and accurate wafer plane
- SEMI® standards compliant
- “H” bar ensures accurate equipment interface

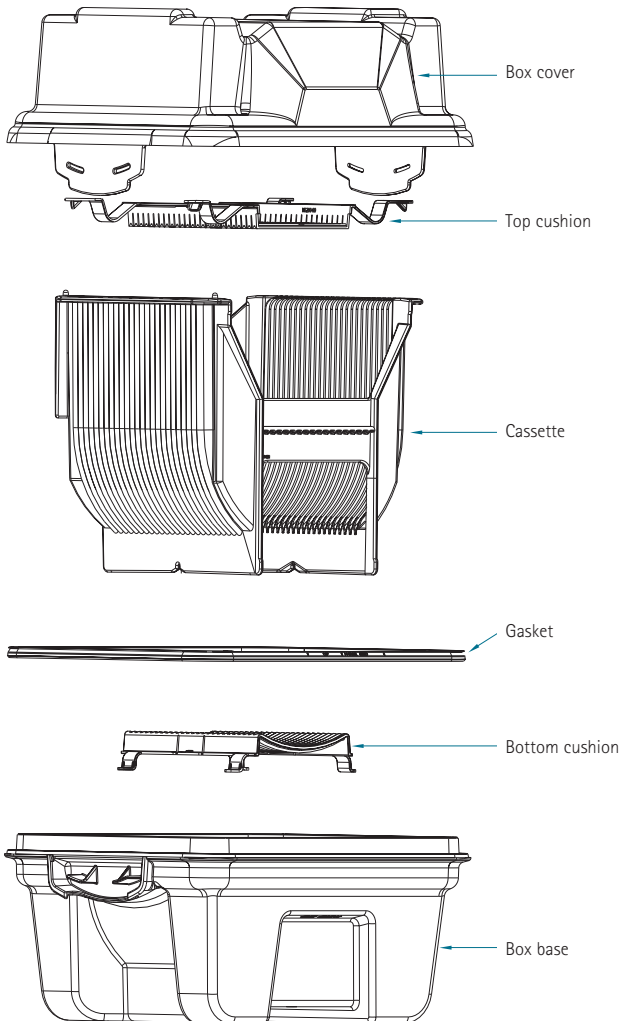
### Highest Overall Output for Your Facility

The Crystalpak box, combined with the cassette, offers maximum wafer protection, optimum automation interface to improve your productivity and increase overall yield. The Crystalpak wafer shipping box:

- Maximizes your wafer transfer throughput with precise wafer plane performance
- Maximizes tool and AMHS uptime and long-term reliability with a dimensionally stable cassette
- Is completely cleanable for reuse
- Is stackable for greater utilization of space
- Minimizes any contribution to contamination



## Specifications



## Material Description

### Polycarbonate Material

Entegris' ultrapure polycarbonate material is used in the box and cassette. This material offers:

- Low inorganics
- Low particle generation
- Low outgassing
- Dimensional stability

### Overall Box Size:

- Depth: 289.3 mm (11.4")
- Width: 268.0 mm (10.6")
- Height: 241.2 mm (9.5")

### Overall Cassette Size:

- Depth: 218.4 mm (8.6")
- Width: 233.4 mm (9.2")
- Height: 220.7 mm (8.7")

### Wafer Spacing:

- 6.35 mm (0.25")

## Ordering Information

| Description                                      | Material  | Part Number  |
|--|---|--------------|
| 200 mm Crystalpak assembly, shrinkwrap packaging | High-purity PC cover, base and cassette with DYNAFLEX® gasket and LDPE cushions | HS200-0007-1 |
| 200 mm Crystalpak assembly, shrinkwrap packaging | High-purity PC cover, base and cassette with PBT gasket and LDPE cushions       | HS200-0042-1 |
| 200 mm Crystalpak assembly, cleaned packaging    | High-purity PC cover, base and cassette with PBT gasket and LDPE cushions       | HS200-0043-1 |
| 200 mm Crystalpak reuse kit, cleaned             | DYNAFLEX gasket and LDPE top and bottom cushions                                | HS200-1700   |
| 200 mm Crystalpak reuse kit, cleaned             | PBT gasket and LDPE top and bottom cushions                                     | HS200-1100   |

## For More Information

Please call your Regional Customer Service Center today to learn what Entegris can do for you. Visit [www.entegris.com](http://www.entegris.com) and select the “Customer Service” link for the center nearest you.

## Terms and Conditions of Sale

All purchases are subject to Entegris’ “Terms and Conditions of Sale.” To view and print this information, visit Entegris’ website at [www.entegris.com](http://www.entegris.com) and select the Legal Notices link from the footer found on the home page.

Entegris® and Crystalpak® are registered trademarks of Entegris, Inc.  
SEMI® is a registered trademark of Semiconductor Equipment and Materials International.  
DYNAFLEX® is a registered trademark of GLS Corporation.

### ENTEGRIS, INC.

Corporate Headquarters | 129 Concord Road | Billerica, MA 01821 USA  
Customer Service Tel. +1 952-556-4181 | In North America 800-394-4083 | Customer Service Fax +1 952-556-8022  
[www.entegris.com](http://www.entegris.com)