



## 450 MM SINGLE WAFER SHIPPER AND SECONDARY PACKAGING

*Protects 450 mm wafers from contamination and breakage*

### Overview

In the process of scaling up your 450 mm program, you need reliable wafer storage and shipment to ensure that your development remains on schedule. You cannot waste valuable time replacing expensive wafers that have been contaminated or damaged. Entegris' 450 mm single wafer shipper can alleviate this issue by providing a safe environment for you to ship and store your test wafers. Constructed of strong, engineering-grade polymers, this shipper maintains a clean environment, while its edge-only wafer contact internally protects against device damage and surface area contamination. Entegris has been working with you to protect your wafers during shipment and storage for over 40 years and will continue to support you in the transition to 450 mm.

Along with protection from the shipper, we've developed secondary packaging to ensure your wafers are safe and clean upon arrival. Our 1-capacity and 5-capacity packages successfully pass ISTA-2A drop and vibration testing, offering you a complete 450 mm shipping solution.



### Features and Benefits

Feature	Benefit
Edge-only wafer contact	Protects against damage and surface area contamination
Hinged design with detent feature	Holds cover in upright position, minimizing work area footprint
Vacuum wand access area	Allows wafer pickup with vacuum wand
Elastomeric gasket and breather filter	Maximum particle barrier
Accommodates multiple wafer thicknesses	For nonstandard applications
Stackable	Efficient storage
RFID capable	Process and inventory management

## Specifications

### Single Wafer Shipper

Materials of construction:	Polycarbonate	
Wafer size:	450 mm (SEMI® M76 compatible)	
Wafer thickness:	Variable	
Dimensions:	Length	544.8 mm (21.45")
	Width	509.0 mm (20.04")
	Height (closed)	59.7 mm (2.35")
	Height (open)	554.5 mm (21.83")
Weight:	Empty	2.47 kg (5.45 lb)
	With wafer	2.81 kg (6.19 lb)

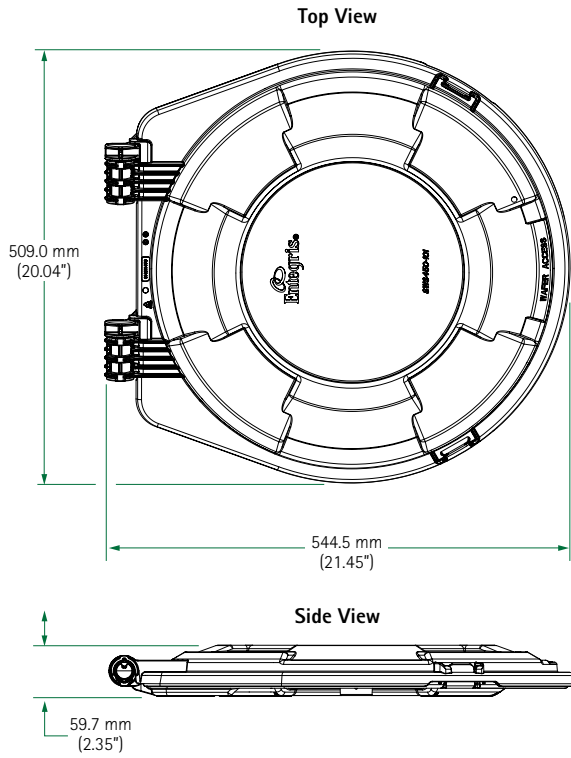
### Single-capacity Secondary Packaging

Materials of construction:	Corrugated cardboard, polyethylene and polyurethane foam	
Dimensions:	Length	635 mm (25.0")
	Width	635 mm (25.0")
	Height	228 mm (8.98")
Weight:	Empty	2.0 kg (4.4 lb)
	With single wafer shipper	4.5 kg (9.9 lb)
	With shipper and wafer	4.8 kg (10.6 lb)

### Five-capacity Secondary Packaging

Materials of construction:	Corrugated cardboard, polyethylene and polyurethane foam	
Dimensions:	Length	619 mm (24.4")
	Width	619 mm (24.4")
	Height	483 mm (19.0")
Weight:	Empty	2.7 kg (5.95 lb)
	With single wafer shippers	15.2 kg (33.5 lb)
	With shippers and wafers	16.7 kg (36.8 lb)

## Dimensions



## Ordering Information

Part Number	Description
SWS450-101-ABNNNN	450 mm single wafer shipper with PCR-80 material
SWS450-101-BBNNNN	450 mm single wafer shipper with Steripure material
SWS450-101-ABNCNN	450 mm single wafer shipper with PCR-80 material and Clarilite® wafer
SWS450-101-BBNCNN	450 mm single wafer shipper with Steripure material and Clarilite wafer
01-1016902	1-capacity secondary packaging
01-1016903	5-capacity secondary packaging

## For More Information

Please call your Regional Customer Service Center today to learn what Entegris can do for you. Visit [www.entegris.com](http://www.entegris.com) and select the Customer Service link for the center nearest you.

## Terms and Conditions of Sale

All purchases are subject to Entegris' Terms and Conditions of Sale. To view and print this information, visit [www.entegris.com](http://www.entegris.com) and select the Legal Notices link from the footer.

Entegris® and Clarilite® are registered trademarks of Entegris, Inc.  
SEMI® is a registered trademark of Semiconductor Equipment and Materials International Corporation.

---

### ENTEGRIS, INC.

Corporate Headquarters | 129 Concord Road | Billerica, MA 01821 USA  
Customer Service Tel. +1 952 556 4181 | Customer Service Fax +1 952 556 8022  
In North America 800 394 4083 | [www.entegris.com](http://www.entegris.com)