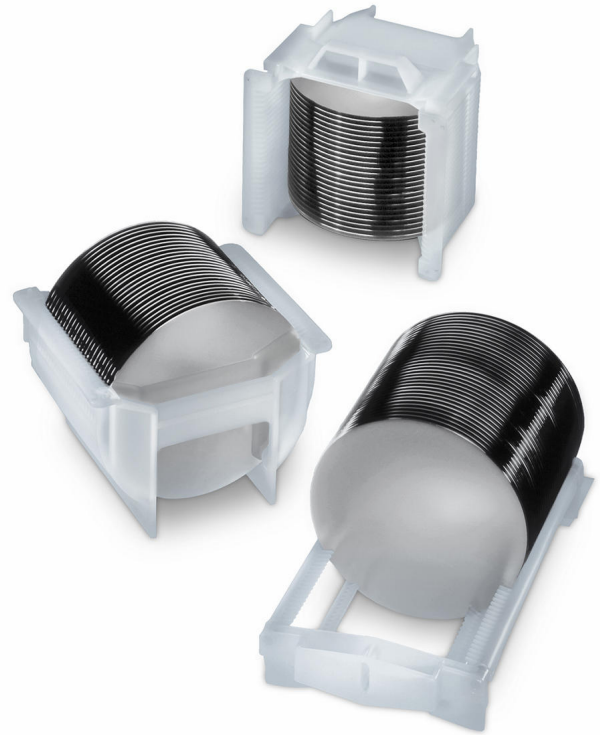


200 mm Process Wafer Carriers

Designed for wet chemical processing applications in 200 mm fabs

Our modular construction PFA process enhancement wafer carrier and traditional molded PFA process wafer carriers are designed for wet chemical processing applications in 200 mm fabs. The open flow carrier allows solutions to pass through evenly and quickly. They are also constructed of chemical-resistant PFA material so your processes remain uncontaminated.



PFA process enhancement and traditional wafer carriers

APPLICATIONS

- Wet etch and clean

FEATURES & BENEFITS

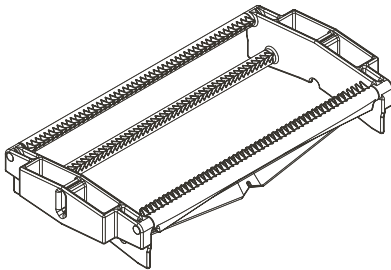
Open side walls	Allow solutions to pass through evenly and quickly
PFA materials of construction	Provides chemical resistance so process remains uncontaminated
Available in process enhancement and traditional configurations	Provides system flexibility

SPECIFICATIONS

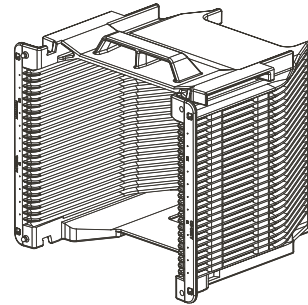
Materials	PFA	
Temperature limits	Continuous use (process enhancement)	165°C (329°F)
	Continuous use (traditional)	180°C (356°F)
	Wafer insertion	290°C (554°F)
Wafer capacity	Process wafer carrier	25, 26, or 50
	Process enhancement wafer carrier	50

DRAWINGS

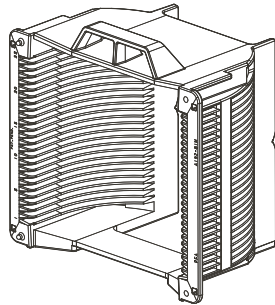
Process Enhancement Wafer Carriers
A220-200B50MP-0215



Traditional Process Wafer Carriers
A200-80MG-0215



Traditional Process Wafer Carriers
A192-81M-0215



ORDERING INFORMATION

PART NUMBER	PRODUCT TYPE	WAFER CAPACITY	PROFILE	END WALL HANDLE TYPE	END WALL FLANGE TYPE	SIDE WALL	TOP FLANGES	ROTATED RAIL	END WALL CONFIGURATION
A192-80M-0215	Process wafer carrier	25	High	Standard, high position	Standard outboard	Open	No	N/A	Solid
A192-80MNH-0215	Process wafer carrier	25	High	N/A	Standard outboard	Open	No	N/A	Solid

ORDERING INFORMATION

PART NUMBER	PRODUCT TYPE	WAFER CAPACITY	PROFILE	END WALL HANDLE TYPE	END WALL FLANGE TYPE	SIDE WALL	TOP FLANGES	ROTATED RAIL	END WALL CONFIGURATION
A192-80MU1-0215	Process wafer carrier	25	High	N/A	Standard outboard	Open	No	N/A	"U" shaped
A192-81M-0215	Process wafer carrier	25	Low	Standard, high position	Standard outboard	Open	No	N/A	Solid
A192-81MJ26-HP0215	Process wafer carrier	26	Low	Standard, high position	Notched wide outboard	Open	No	N/A	Solid
A192-82M-0215	Process wafer carrier	50	Low	Standard, high position	Standard outboard	Open	No	N/A	Solid
A192-82MC-0215	Process wafer carrier	50	Low	Standard, high position	Standard outboard	Machined	Yes	N/A	Solid
A192-82MCST-0215	Process wafer carrier	50	Low	Standard, high position	Standard outboard	Machined	No	N/A	Solid
A200-80MG-0215	Process wafer carrier	25	High	Large size, high position	C-style outboard	Open	No	N/A	Solid
A200-80MW-0215	Process wafer carrier	25	High	Standard, high position	C-style outboard	Open	No	N/A	Solid
A200-80SMS-0215	Process wafer carrier	25	High	N/A	C-style outboard and top center immersion style	Open	No	N/A	"U" shaped
A220-200B50IP-0215	Process enhancement wafer carrier	50	Enhanced	N/A	Lift points and V-notch locators	Open	No	Yes	Solid
A220-200B50MIP-0215	Process enhancement wafer carrier	50	Enhanced	N/A	Lift points and V-notch locators	Open	No	N/A	Solid

FOR MORE INFORMATION

Please call your Regional Customer Service Center today to learn what Entegris can do for you. Visit [entegris.com](https://www.entegris.com) and select the [Contact Us](#) link to find the customer service center nearest you.

TERMS AND CONDITIONS OF SALE

All purchases are subject to Entegris' Terms and Conditions of Sale. To view and print this information, visit [entegris.com](https://www.entegris.com) and select the [Terms & Conditions](#) link in the footer.



Corporate Headquarters
129 Concord
Billerica, MA 01821
USA

Customer Service
Tel +1 952 556 4181
Fax +1 952 556 8022
Toll Free 800 394 4083

Entegris®, the Entegris Rings Design®, and other product names are trademarks of Entegris, Inc. as listed on [entegris.com/trademarks](https://www.entegris.com/trademarks). All third-party product names, logos, and company names are trademarks or registered trademarks of their respective owners. Use of them does not imply any affiliation, sponsorship, or endorsement by the trademark owner.

©2001-2022 Entegris, Inc. | All rights reserved. | Printed in the USA | 1160-6122DSA-1123