

# 20X Series 200 mm Wafer Transport Carriers

*High performance in a closed side wall configuration*



*Designed for advanced wafer transport.*

Trends in wafer processing technology have mandated advancements in wafer carrier technology to support today's advanced semiconductor processing facilities. Our 20X Series 200 mm wafer transport carriers address automation, con-tamination control, and productivity requirements for today's 200 mm fabs. These wafer carriers, designed for advanced wafer transport, offer dramatic performance benefits over traditional low and midrange wafer carriers, including precise wafer access, reliable equipment operation, and secure wafer protection.

## APPLICATIONS

- In-fab transport
- Process tool interface
- Secure wafer storage

## FEATURES & BENEFITS

<b>Predictable wafer location</b>	Enables precise wafer access
<b>Automated handling</b>	Enables reliable equipment operation on process tools and automated materials handling systems
<b>Advanced wafer carrier design and materials of construction</b>	Secures and protects wafer against contamination and damage

## SPECIFICATIONS

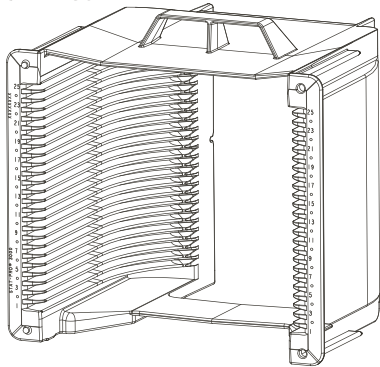
<b>Wafer capacity</b>	26: XT205-0100
	25: all others
	13: K213
<b>Pins and holes</b>	on top rail (unless noted)
<b>Locating track notches</b>	at center of the 13th pocket
<b>Side walls</b>	Closed
<b>Compatible storage boxes</b>	E210: XT205-0100
	E99, E210, HA200: all others

### Material Specifications

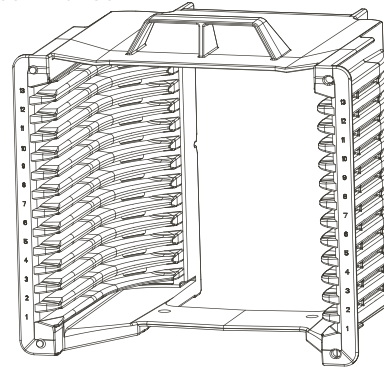
<b>STAT-PRO 9000</b>	Next Generation advanced wafer transport carrier material
	Static dissipative blend of Carbon Nanotube (CNT) enhanced polyetheretherketone (PEEK™) carbon compound
	Temperature limits: 120°C (248°F) continuous use 340°C (644°F) wafer insertion
<b>STAT-PRO 3000</b>	Advanced wafer transport carrier material
	Static dissipative blend of PEEK and carbon fiber
	Temperature limits: 120°C (248°F) continuous use 340°C (644°F) wafer insertion
<b>STAT-PRO 100</b>	Wafer transport carrier material
	Static dissipative blend of polypropylene (PP) and carbon powder
	Temperature limits: 55°C (131°F) continuous use 70°C (158°F) wafer insertion
<b>EMSTAT PY</b>	Wafer transport carrier material
	Static dissipative blend of PEEK and carbon fiber
	Temperature limits: 120°C (248°F) continuous use 340°C (644°F) wafer insertion
<b>EMSTAT AR+</b>	Wafer transport carrier material
	Static dissipative blend of polypropylene (PP), carbon fiber and PTFE
	Temperature limits: 55°C (131°F) continuous use 70°C (158°F) wafer insertion
<b>EMSTAT AR</b>	Wafer transport carrier material
	Static dissipative blend of polypropylene (PP) and carbon fiber
	Temperature limits: 55°C (131°F) continuous use 70°C (158°F) wafer insertion
Blue Polypropylene	Wafer transport carrier material
	PP with added colorant
	Temperature limits: 55°C (131°F) continuous use 70°C (158°F) wafer insertion

## DRAWINGS

KA202-80SH-47C02



K213-80SHH-97C02



## ORDERING INFORMATION

PART NUMBER	WAFER CAPACITY	END WALL HANDLE TYPE	COLOR	RFID	MATERIAL	END WALL FLANGE TYPE	PINS AND HOLES
K213-80SHH-97C02	13	Standard, high position	Black	No	STAT-PRO® 9000	Standard outboard	Yes
K213-80SHH-97C02	13	Standard, high position	Black	Yes	STAT-PRO® 9000	Standard outboard	Yes
KA202-80S-47C02	25	None	Black	No	STAT-PRO® 3000	Standard outboard	No
KA202-80S-47C05	25	None	Green	No	STAT-PRO® 3000	Standard outboard	No
KA202-80SH-47C02	25	Standard, mid position	Black	No	STAT-PRO® 3000	Standard outboard	Yes
KA202-80SHH-47C02	25	Standard, high position	Black	No	STAT-PRO® 3000	Standard outboard	Yes
KA202-80SRM-47C02	25	None	Black	Yes	STAT-PRO® 3000	Standard outboard	No
KX202-0100-97C02	25	Standard, mid position	Black	No	STAT-PRO® 9000	Standard outboard	Yes
KX202-0200-97C02	25	None	Black	No	STAT-PRO® 9000	Standard outboard	Yes
KX202-0500-97C02	25	Standard, high position	Black	No	STAT-PRO® 9000	Standard outboard	Yes
XT201-0104	25	Standard, mid position	Red	No	EMSTAT™ AR+	Standard outboard	Yes
XT201-0105	25	Standard, mid position	Green	No	EMSTAT™ AR+	Standard outboard	Yes
XT201-0107	25	Standard, mid position	Black	No	EMSTAT™ AR+	Standard outboard	Yes

## ORDERING INFORMATION

PART NUMBER	WAFER CAPACITY	END WALL HANDLE TYPE	COLOR	RFID	MATERIAL	END WALL FLANGE TYPE	PINS AND HOLES
XT201-0112	25	Standard, mid position	Blue	No	EMSTAT™ AR+	Standard outboard	Yes
XT201-0121	25	Standard, mid position	Gray	No	EMSTAT™ AR+	Standard outboard	Yes
XT201-0300	25	Standard, mid position	Black	No	EMSTAT™ AR	Standard outboard	No
XT201-0400	25	None	Black	No	EMSTAT™ AR	Standard outboard	No
XT202-0100	25	Standard, mid position	Black	No	EMSTAT™ PY PEEK™	Standard outboard	Yes
XT202-0500	25	Standard, high position	Black	No	EMSTAT™ PY PEEK™	Standard outboard	Yes
XT203-0100	25	Standard, mid position	Black	No	EMSTAT™ AR+	Standard outboard	Yes
XT203-0120	25	Standard, mid position	Gray	No	EMSTAT™ AR+	Standard outboard	Yes
XT203-0500	25	Standard, high position	Black	No	EMSTAT™ AR+	Standard outboard	Yes
XT203-0510	25	Standard, high position	Blue	No	EMSTAT™ AR+	Standard outboard	Yes
XT203-0520	25	Standard, high position	Gray	No	EMSTAT™ AR+	Standard outboard	Yes
XT203-0530	25	Standard, high position	Green	No	EMSTAT™ AR+	Standard outboard	Yes
XT204-0200	25	None	Black	No	EMSTAT™ HV+	Standard outboard	Yes
XT204-0500	25	Standard, high position	Black	No	EMSTAT™ HV+	Standard outboard	Yes
XT205-0100	26	None	Black	No	EMSTAT™ AR+	Notched wide outboard	Yes

#### FOR MORE INFORMATION

Please call your Regional Customer Service Center today to learn what Entegris can do for you. Visit [entegris.com](https://www.entegris.com) and select the [Contact Us](#) link to find the customer service center nearest you.

#### TERMS AND CONDITIONS OF SALE

All purchases are subject to Entegris' Terms and Conditions of Sale. To view and print this information, visit [entegris.com](https://www.entegris.com) and select the [Terms & Conditions](#) link in the footer.



Corporate Headquarters  
129 Concord  
Billerica, MA 01821  
USA

Customer Service  
Tel +1 952 556 4181  
Fax +1 952 556 8022  
Toll Free 800 394 4083

Entegris®, the Entegris Rings Design®, and other product names are trademarks of Entegris, Inc. as listed on [entegris.com/trademarks](https://www.entegris.com/trademarks). All third-party product names, logos, and company names are trademarks or registered trademarks of their respective owners. Use of them does not imply any affiliation, sponsorship, or endorsement by the trademark owner.

©2001-2022 Entegris, Inc. | All rights reserved. | Printed in the USA | 1110-6137DSA-0722