



226 CAST HP HALF DOVE TAIL HOUSINGS

Stainless steel filter housings for DI water and organic solvents

Overview

Entegris 226 cast HP half dove tail housings are manufactured from high-quality 316L stainless steel and recommended for use in high-purity chemical processing. The housings have good resistance to corrosive chemicals while its high-quality finish eliminates harmful contaminants from leaching into the process stream.

Features and Benefits

- Constructed of 316L stainless steel – provides excellent chemical resistance.
- Upgraded o-ring groove design – half dove tail o-ring groove design prevents separation from the housing during filter changeout.
- Improved connection and various drain/vent ports – minimizing exposure to contaminants and maintaining high performance of the housing in high-pressure applications. Wider outlet drain and vent ports allow chemicals to drain faster.
- Can accommodate o-ring or flat type filter cartridge. Keeps cartridge stable in high-flow applications.



Applications

226 cast HP half dove tail housings can be used in high-flow central applications in the manufacturing of flat panel display, hard disks, semiconductors and chemical suppliers.

Ordering Information

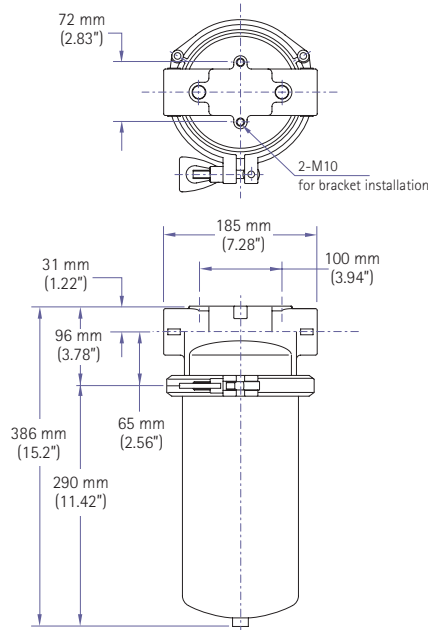
Part Number	Description	Connection
YYMD6FH3F	226 cast HP half dove tail housing, CD-F	JIS 20K 32A flange
YYMD6FH4F	226 cast HP half dove tail housing, CD-F	JIS 20K 40A flange
YYMD60H3F	226 cast HP half dove tail housing, CD-6	JIS 20K 32A flange
YYMD60H4F	226 cast HP half dove tail housing, CD-6	JIS 20K 40A flange
YYMD6FH5P	226 cast HP half dove tail housing, CD-F	1-1/4" PTF (Rc)
YYMD6FH6P	226 cast HP half dove tail housing, CD-F	1-1/2" PTF (Rc)
YYMD60H5P	226 cast HP half dove tail housing, CD-6	1-1/4" PTF (Rc)
YYMD60H6P	226 cast HP half dove tail housing, CD-6	1-1/2" PTF (Rc)
YY5C000CB	226 HP 3-piece 125A clamp band	
YYC0VD383	3/8" plug, 3 pcs/pack	
YYC0BWSP0	Spring, 10 pcs/pack	
YYC0BWEP5	O-ring, EPDM, G-145, 5 pcs/pack	
YYC0BWVT5	O-ring, FKM, G-145, 5 pcs/pack	
YYC0TCOR1	O-ring, E-FKM, G-145, 1 pc/pack	
YYMD00PFB	O-ring, Perfluoro MPB, G-145, 1 pc/pack	
YYMD000PF	O-ring, Perfluoro 4275B, G-145, 1 pc/pack	

Specifications

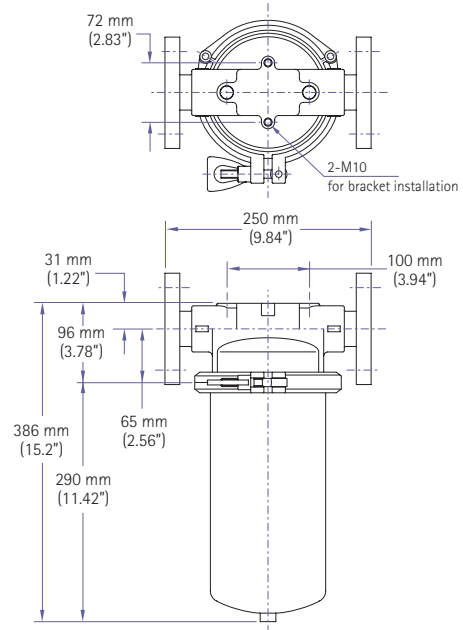
Materials:	Housing head	Equivalent 316L stainless steel
	Housing bowl, plug	316L stainless steel
	Spring	316 stainless steel
	TC clamp	Equivalent 304 stainless steel
	O-ring	EPDM (size G145)
Surface finish: (interior/exterior)	Head	Electropolished (o-ring seal parts are machined)
	Bowl	#400 buffing/hairline treated
Connections:	Inlet/outlet	1 ¹ / ₄ " or 1 ¹ / ₂ " PTF (Rc), 32A or 40A JIS 20K FF
	Vent/drain	PTF (Rc) ³ / ₈
Operating conditions:	Maximum operating pressure	1.5 MPa @ 80°C (176°F) (static)
Cartridge configuration:	Code-6, 226 o-ring, gasket seal	

Dimensions

YYMD6FH5P, YYMD6FH6P, YYMD60H5P, YYMD60H6P



YYMD6FH3F, YYMD6FH4F, YYMD60H3F, YYMD60H4F



For More Information

Please call your Regional Customer Service Center today to learn what Entegris can do for you. Visit www.entegris.com and select the Customer Service link for the center nearest you.

Terms and Conditions of Sale

All purchases are subject to Entegris' Terms and Conditions of Sale. To view and print this information, visit www.entegris.com and select the Legal Notices link from the footer.

Entegris®, the Entegris Rings Design® and Creating a Material Advantage® are registered trademarks of Entegris, Inc.

ENTEGRIS, INC.

Corporate Headquarters | 129 Concord Road | Billerica, MA 01821 USA
 Customer Service Tel. +1 952 556 4181 | Customer Service Fax +1 952 556 8022
 In North America 800 394 4083 | www.entegris.com