



226 HP HALF DOVE TAIL HOUSINGS

Stainless steel housings for DI water and organic solvents

Overview

Entegris 226 HP half dove tail housings are manufactured from high-quality 316L stainless steel and recommended for use in high-purity chemical processing. The housings have good resistance to corrosive chemicals. Its high-quality finish eliminates harmful contaminants from leaching into the process stream.

Features and Benefits

- Constructed of 316L stainless steel – provides excellent chemical resistance.
- Upgraded o-ring groove design – half dove tail o-ring groove design protects the o-ring from being separated from the housing during filter changeout.
- Improved connection and various drain/vent ports – minimizes exposure to contaminants and maintains high performance of the housing in high-pressure applications. Wider outlet drain and vent ports allow chemicals to drain faster.
- Can accommodate o-ring or flat type filter cartridge. Keeps cartridge stable in high-flow applications.



Applications

226 HP half dove tail housings can be used in high-flow central applications in the manufacturing of flat panel display, hard disks, semiconductors and chemical suppliers.

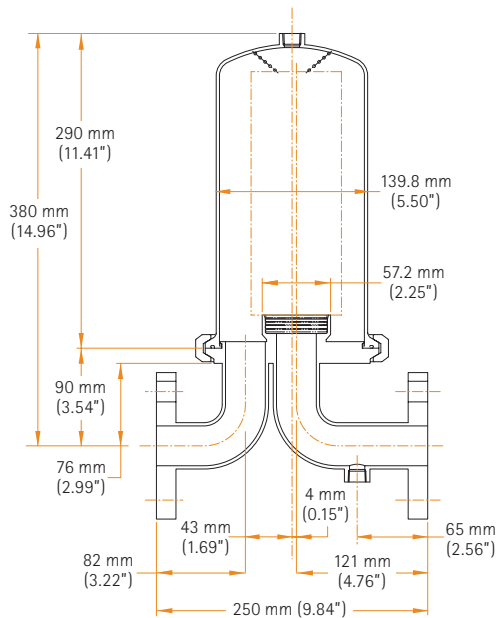
Ordering Information

Part Number	Description	Connection
YYC06EH3F	226 HP half dove tail without drain	32A JIS20K EPDM
YYC06EH4F	226 HP half dove tail without drain	40A JIS20K EPDM
YYC06FH3F	226 HP half dove tail CD-F	32A JIS20K EPDM
YYC06FH4F	226 HP half dove tail CD-F	40A JIS20K EPDM
YYCD6EH3F	226 HP half dove tail 1/4" with drain	32A JIS20K EPDM
YYCD6EH4F	226 HP half dove tail 1/4" with drain	40A JIS20K EPDM
YYCD68H3F	226 HP half dove tail 3/8" with drain	32A JIS20K EPDM
YYCD68H4F	226 HP half dove tail 3/8" with drain	40A JIS20K EPDM
YYCD68S4F	226 HP half dove tail 3/8" with drain	40A JIS30K EPDM
YY5C000CB	226 HP 3-piece 125A clamp band	
YYC0VD413	1/4" plug, 3 pcs/pack	
YYC0VD383	3/8" plug, 3 pcs/pack	
YYC0BWSPO	Spring, 10 pcs/pack	
YYC0BWEP5	G-145, 5 pcs/pack	

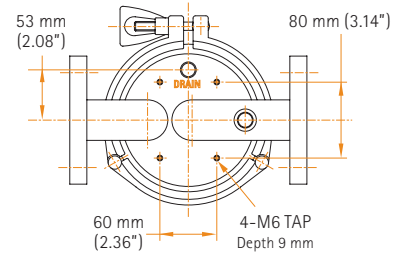
Specifications

Materials:	Head, bowl, drain, vent, plug, spring	316L stainless steel
	Clamp	Equivalent 304 stainless steel
	Surface finish (internal/external)	Head Buff #400/electropolished after sandblast Bowl Buff #400/hairline
Connections:	Vent/drain	1/4", 3/8" RC (PT)
	Inlet/outlet	32/40A JIS 20K FF
	Housing	G-145 EPDM
	Cartridge	CD-0/F (226)
Dimensions:	Length	380 mm (14.9") – to center of inlet/outlet
	Diameter (bowl)	139.8 mm (5.5")
Operating conditions:	Maximum operating pressure	1.5 MPa @ 80°C (176°F) – static

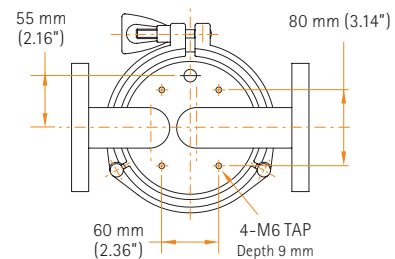
Dimensions



226 HP Half Dove Tail Housing with Outlet Drain



226 HP Half Dove Tail Housing without Outlet Drain



For More Information

Please call your Regional Customer Service Center today to learn what Entegris can do for you. Visit www.entegris.com and select the Customer Service link for the center nearest you.

Terms and Conditions of Sale

All purchases are subject to Entegris' Terms and Conditions of Sale. To view and print this information, visit www.entegris.com and select the Legal Notices link from the footer.

Entegris®, the Entegris Rings Design® and Creating a Material Advantage® are registered trademarks of Entegris, Inc.

ENTEGRIS, INC.

Corporate Headquarters | 129 Concord Road | Billerica, MA 01821 USA
Customer Service Tel. +1 952 556 4181 | Customer Service Fax +1 952 556 8022
In North America 800 394 4083 | www.entegris.com

©2009–2016 Entegris, Inc. All rights reserved Printed in USA 4433-5585ENT-0416

