



## 334 HP HALF DOVE TAIL HOUSINGS

*Stainless steel filter housings for DI water and organic solvents*

### Overview

Entegris 334 HP half dove tail housings are manufactured from high-quality 316L stainless steel and recommended for use in high-purity chemical processing. The housings have good resistance to corrosive chemicals while its high-quality finish eliminates harmful contaminants from leaching into the process stream.

### Features and Benefits

- Constructed of 316L stainless steel – provides excellent chemical resistance.
- Easy filter changeout – screw-in clamp band enables easy filter changeout.
- Upgraded o-ring groove design – half dove tail o-ring groove design prevents separation from the housing during filter changeout.
- Improved connection and drain/vent ports – minimizing exposure to contaminants and maintaining high performance of the housing in high-pressure applications. Wider outlet drain and vent ports allow chemicals to drain faster. Process connection available in PTF or flange.



### Applications

334 cast HP half dove tail housings are designed for use in high-flow central applications in the manufacturing of flat panel displays, hard disks, semiconductors and chemical suppliers.

### Ordering Information

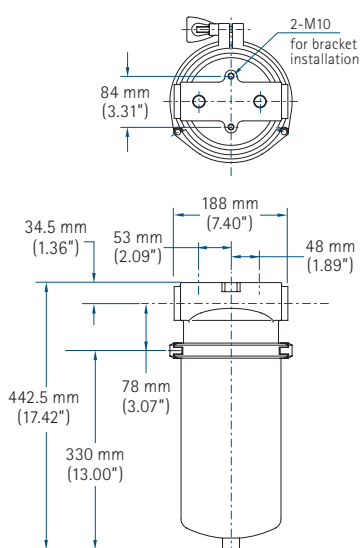
Part Number	Description	Connection
YY34SCD4F	334 cast HP half dove tail housing	JIS 20K 40A flange
YY34SCD5F	334 cast HP half dove tail housing	JIS 20K 50A flange
YY34SCD6P	334 cast HP half dove tail housing	1½" PTF (Rc)
YY34SHD4S	334 machined HP half dove tail housing	JIS 30K 40A flange
YY34SHD4F	334 machined HP half dove tail housing	JIS 20K 40A flange
YYC0VD213	334 ½" plug, 3pcs/pk	
YYC034SPO	334 SS 316 spring, 10pcs/pk	
YY33400CB	334 SS HSG 3-pieces clamp, 1pc/pk	
YY3345PCB	334 SS HSG 2-splits clamp for YY34SHD4S, 1pc/pk	
YY3400EP5	O-ring, EPDM, G-165, 5pcs/pk	
YY3400VT5	O-ring, FKM, G-165, 1pc/pk	
YY34TCOR1	O-ring, E-FKM, G-165, 1pc/pk	
YY3400PFB	O-ring, perfluoro MPB, G-165, 1pc/pk	
YY34000PF	O-ring, perfluoro 4275B, G-165, 1pc/pk	

## Specifications

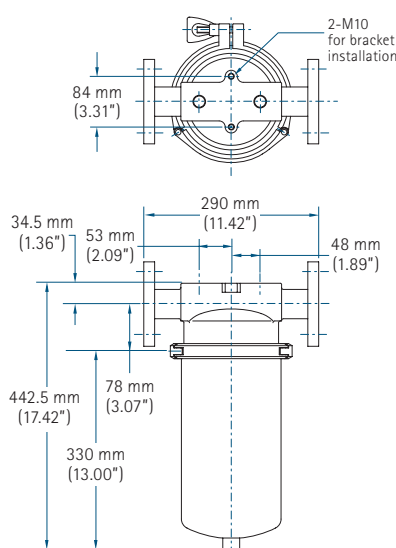
Materials:	Housing head	Equivalent 316L stainless steel
	Housing bowl, plug	316L stainless steel
	Spring	316 stainless steel
	TC clamp	Equivalent 304 stainless steel
	O-ring	EPDM (size G165)
Surface finish casting type: (interior/exterior)	Head	Electropolished (o-ring seal parts are machined)
	Bowl	#400 buffing/hairline treated
Surface finish Machined type: (interior/exterior)	Head, bowl	#400 buffing/hairline treated
Connections:	Inlet/outlet	1½" PTF (Rc), 40A or 50A JIS 20K FF, 40A JIS 30K FF
	Vent/drain	PTF (Rc) ½"
Operating conditions:	Maximum operating pressure	1.5 MPa @ 80°C (176°F) (static)
		2.5 MPa @ 60°C (140°F) (static) only for YY34SHD4S
Cartridge configuration:	334 o-ring	

## Dimensions

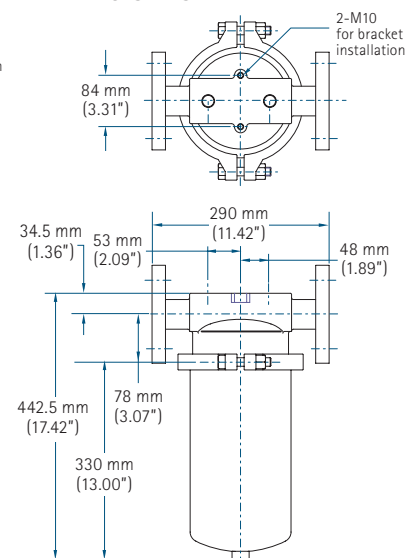
YY34SCD6P



YY34SCD4F, YY34SCD5F, YY34SHD4F



YY34SHD4S



## For More Information

Please call your Regional Customer Service Center today to learn what Entegris can do for you. Visit [www.entegris.com](http://www.entegris.com) and select the Customer Service link for the center nearest you.

## Terms and Conditions of Sale

All purchases are subject to Entegris' Terms and Conditions of Sale. To view and print this information, visit [www.entegris.com](http://www.entegris.com) and select the Legal Notices link from the footer.

Entegris®, the Entegris Rings Design® and Creating a Material Advantage® are registered trademarks of Entegris, Inc.

### ENTEGRIS, INC.

Corporate Headquarters | 129 Concord Road | Billerica, MA 01821 USA  
 Customer Service Tel. +1 952 556 4181 | Customer Service Fax +1 952 556 8022  
 In North America 800 394 4083 | [www.entegris.com](http://www.entegris.com)

©2009–2016 Entegris, Inc. All rights reserved Printed in USA 4433-5840ENT-0416

