

# A200 Wafer SMIF Pods

*Excellent structural design and outgassing performance*

The A200 SMIF pod provides contamination control to semiconductor manufacturers by protecting 200 mm wafers during transport and storage operations. The excellent structural design and outgassing performance offers an environmentally-secure wafer container that maintains a superior minienvironment for the wafers with inherent automation compatibility.

## APPLICATIONS

Provides contamination control to semiconductor manufacturers during 200 mm wafer transport and storage operations:

- Contamination-free wafer transport
- Environmentally secure wafer storage



*Provides superior minienvironment control.*

## FEATURES & BENEFITS

<b>Materials of construction</b>	Provide low particle generation, low outgassing, and long life
<b>Tough and durable clear, polycarbonate pod shell</b>	Able to withstand repeated manual and automatic handling
<b>Static dissipative polycarbonate pod door</b>	Significantly reduces the likelihood of ESD damage
<b>Cassette hold down is compatible with automated pod cleaning systems</b>	Reduces cost of ownership

## SPECIFICATIONS

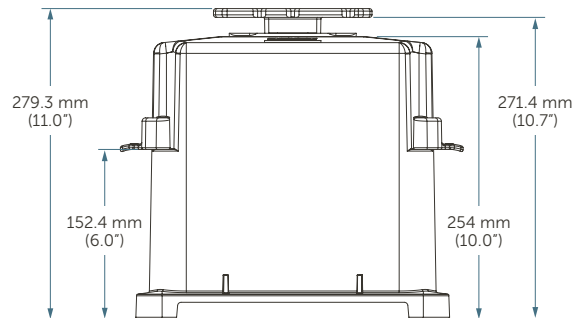
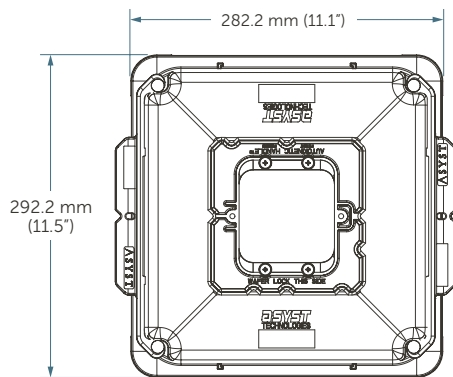
---

<b>Materials of construction</b>	Shell	Polycarbonate
	Door	Carbon-filled polycarbonate
	Wafer lock and frame	Polycarbonate
	Cassette hold down	Filled PTFE
	Cassette guides	Polycarbonate
<b>Product type</b>	Standard, high purity	
<b>Product options</b>	Shell colors	Amber, green, clear, aqua
	Identification	Bar code and alphanumeric character labels
		Color handles
		Laser marking bar codes and alphanumeric characters
		Card holder and traveler tag
	Handling	Top automation handle
Carrying handle		

Note: Conforms to SEMI® E19.4

## DIMENSIONS

Base dimensions	283 mm × 292 mm (11.125" × 11.5")
Pod height (without AK handle)	254 mm (10.0")
Pod height (top of AK handle)	279 mm (11.0")
Pod height (bottom of AK handle)	271 mm (11.0")
Pod height (bottom of side handle)	152 mm (6.0")
Weight (empty pod)	2.59 kg (5.7 lbs)
Weight (pod shell)	1.62 kg (3.6 lbs)
Weight (pod door)	0.87 kg (1.9 lbs)



### FOR MORE INFORMATION

Please call your Regional Customer Service Center today to learn what Entegris can do for you. Visit [entegris.com](http://entegris.com) and select the [Contact Us](#) link to find the customer service center nearest you.

### TERMS AND CONDITIONS OF SALE

All purchases are subject to Entegris' Terms and Conditions of Sale. To view and print this information, visit [entegris.com](http://entegris.com) and select the [Terms & Conditions](#) link in the footer.



#### Corporate Headquarters

129 Concord Road  
Billerica, MA 01821  
USA

#### Customer Service

Tel +1 952 556 4181  
Fax +1 952 556 8022  
Toll Free 800 394 4083

Entegris®, the Entegris Rings Design®, and other product names are trademarks of Entegris, Inc. as listed on [entegris.com/trademarks](http://entegris.com/trademarks). All third-party product names, logos, and company names are trademarks or registered trademarks of their respective owners. Use of them does not imply any affiliation, sponsorship, or endorsement by the trademark owner.

©2014-2024 Entegris, Inc. | All rights reserved. | Printed in the USA | 1220-7679ENT-0924