



CHAMBERGARD™ BGN FAST VENT DIFFUSERS

*High-volume throughput and
rapid venting to atmosphere*

Overview

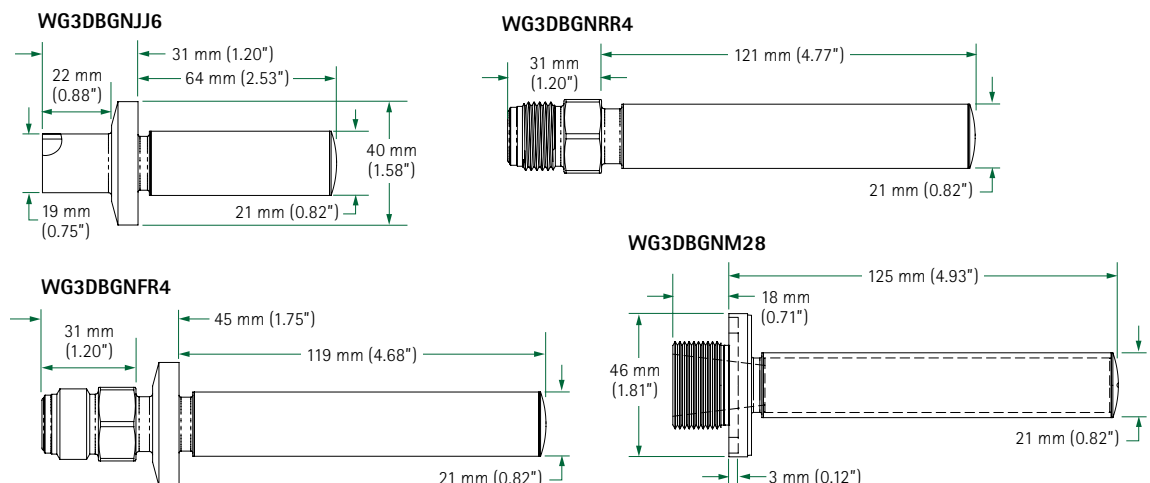
Using a patented, sintered nickel filter element to quickly diffuse the flow of incoming gas, Chambergard™ BGN diffusers allow the load lock and/or transfer chamber to fill at a higher rate without particle disturbance or excessive turbulence. The highly retentive nickel element of the BGN removes submicron particle contamination from incoming gas and rapidly vents to the atmosphere, thereby reducing wafer defects and decreasing cycle times. The BGN diffuser is designed to meet the needs of flat panel display and 300 mm tool customers for greater efficiency, decreased chamber vent time and greater throughput.

Features and Benefits

- Entegris' industry-leading, patented, sintered nickel technology in a compact diffuser unit provides superior performance in all applications
- Removal of particles greater than 0.003 µm from incoming gas minimizes defects on wafers
- Easy installation/retrofit into existing tools with minimal downtime
- Manufactured, tested and packaged in a clean-room to assure product cleanliness at time of installation
- Rapid vent, gentle flow to atmosphere decreases cycle time, increases throughput and OEE
- Robust and efficient, Chambergard diffusers are rated at 100,000 cycles before changeout
- Available worldwide through Entegris' global infrastructure



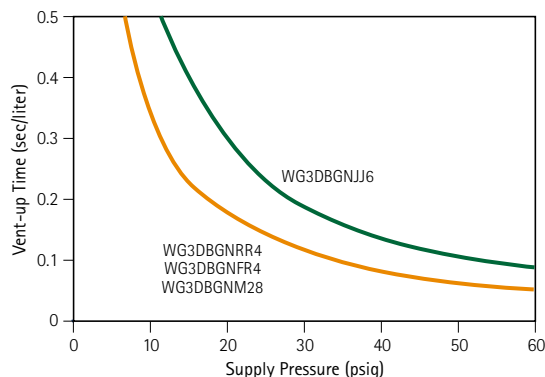
Dimensions



Specifications

Materials:	Diffuser element	Patented, sintered nickel membrane filter
	O-ring	Fluorocarbon
	Housing	316L stainless steel
	Surface finish	≤32 μm Ra
Connections:	Connection fitting types	Inlet—gasket seal (VCR® compatible) or butt weld Outlet—ISO NW bulkhead mounting compatible vacuum flange (compatible with standard ISO quick fitting, KF or QF, bulkhead clamps), or none (flangeless)
	Inlet/outlet	See ordering information
Downstream cleanliness:	<0.003 particles/liter (<1 particle/ft ³)>0.01 μm	
Removal rating:	≥0.003 μm	
Reliability:	100,000 cycle reliability at maximum rated inlet pressure @ 25°C (77°F)	
Operating conditions:	Maximum inlet pressure with outlet to vacuum	4 bar (60 psid)
	Maximum differential pressure	5 bar (75 psid)
	Maximum operating temperature	100°C (212°F)
Warranty:	5 year or 100,000 cycles	

Performance Data



For More Information

Please call your Regional Customer Service Center today to learn what Entegris can do for you. Visit www.entegris.com and select the Customer Service link for the center nearest you.

Terms and Conditions of Sale

All purchases are subject to Entegris' Terms and Conditions of Sale. To view and print this information, visit www.entegris.com and select the Legal Notices link from the footer.

Ordering Information

Part No.	Inlet	Outlet
WG3DBGNJJ6	¾" tube	ISO NW-25
WG3DBGNRR4	½" MVCR	N/A
WG3DBGNFR4	½" MVCR	ISO NW-25
WG3DBGNM28	28 x 1.5 metric thread	N/A

Entegris® and Chambergard™ are trademarks of Entegris, Inc.
VCR® is a registered trademark of Swagelok Company.

ENTEGRIS, INC.

Corporate Headquarters | 129 Concord Road | Billerica, MA 01821 USA
Customer Service Tel. +1 952 556 4181 | Customer Service Fax +1 952 556 8022
In North America 800 394 4083 | www.entegris.com