

# CR4 Series Manual Valves, 1/4" Orifice, 2- way, Multi-turn

*For corrosive environments in wet etch and clean (WEC) applications*

Smaller than most comparable valves, 1/4" CR4 Series valves are ideal for handling wet etch and clean process chemicals. These durable valves can handle temperatures up to 160°C (320°F) at 276 kPa (40 psig).

With no exposed metal hardware, the multi-turn valve is completely sealed and protected from harsh chemical environments. This all-PFA valve is available for high-purity chemical handling in line sizes 3/8" or smaller. A variety of connections including PrimeLock®, Flaretek®, FNPT, PureBond®, "SpaceSaver", and Super 300 Type Pillar® allow flexibility in your fluid design. And, the compact, modular design enables manifold customization.

## APPLICATIONS

- High-purity corrosive chemical handling
- All semiconductor WEC process chemicals
- Chemical line sizes 3/8" or smaller

## FEATURES & BENEFITS

<b>Compact, modular design</b>	Enables manifold customization and saves valuable equipment space
<b>High-temperature capable, all-PFA construction</b>	Withstands corrosive and harsh chemical environments
<b>Same footprint as Galtek® SG Series stand-alone valves and Dymension® surface-mount manifold valves</b>	Allows for easy retrofits or replacement
<b>Variety of connection options</b>	Allows fluid design flexibility



*Compact, multi-turn valve.*

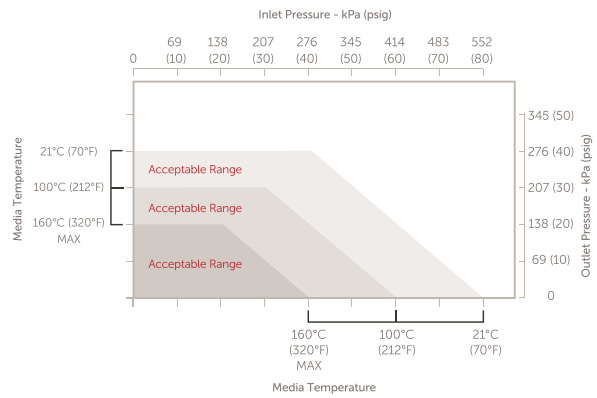
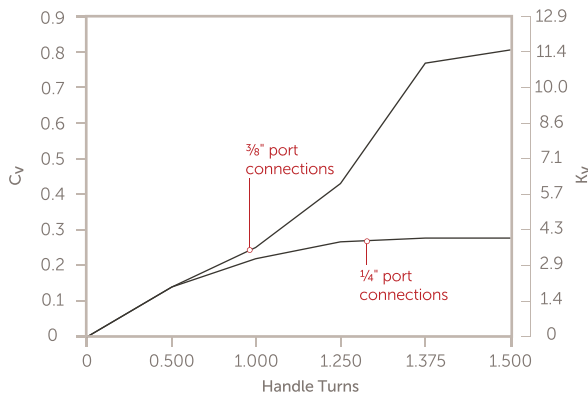
## SPECIFICATIONS

Materials		
All wetted parts	PFA	
Exterior actuator parts	PVDF, Viton®	
Interior actuator parts	PVDF, SST, Viton	
Mounting base	PVDF	
Operating Conditions		
Media pressure at	21°C (70°F)	Inlet - 913 mbar (27" Hg) vacuum to 552 kPa (80 psig)* Outlet - 913 mbar (27" Hg) vacuum to 552 kPa (80 psig)
	160°C (320°F)	Inlet - 276 kPa (40 psig) Outlet - 138 kPa (20 psig)*
Temperature range		
Ambient	23°C - 50°C (73°F - 122°F), ambient	
Fluid	21°C - 160°C (70°F - 320°F), fluid <sup>1</sup>	
Compliant		
RoHs & WEE		

\* Actual valve performance varies with pressure and temperature; refer to actual ratings in performance data.

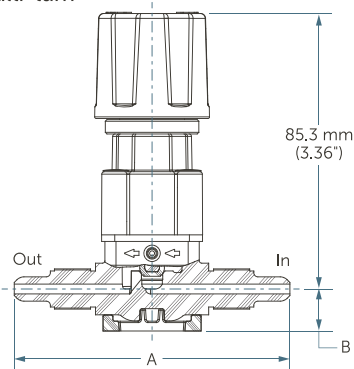
## PERFORMANCE DATA

$C_V/K_V$  vs. Number of Handle Turns

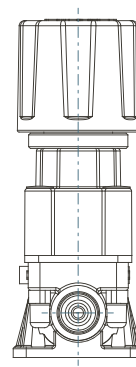


## DIMENSIONS

Manual Multi-turn  
Front View

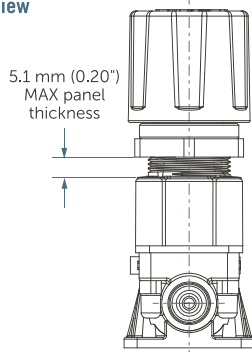


Manual Multi-turn  
Side View

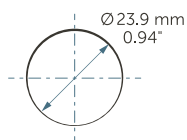


Port Connection	Flow Factor $C_v$	Flow Factor $K_v$	Dimensions	
			A	B
1/4" Flaretek	0.29	4.2	3.36" (85.3 mm)	0.51" (13.0 mm)
1/4" FNPT	0.84	12.0	2.75" (69.8 mm)	0.51" (13.0 mm)
1/4" Super 300 Type Pillar fitting	0.29	4.2	2.57" (65.3 mm)	0.51" (13.0 mm)
1/4" PrimeLock	0.34	4.9	3.18" (80.8 mm)	0.51" (13.0 mm)
1/4" PureBond	0.84	12.0	2.68" (68.1 mm)	0.51" (13.0 mm)
3/8" Flaretek	0.84	12.0	3.50" (88.9 mm)	0.51" (13.0 mm)
3/8" Super 300 Type Pillar fitting	0.84	12.0	2.88" (73.2 mm)	0.51" (13.0 mm)
3/8" PrimeLock	0.84	12.0	3.18" (80.8 mm)	0.61" (15.5 mm)

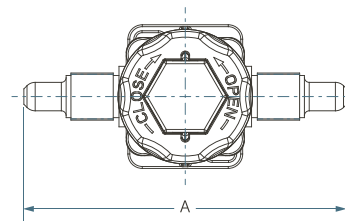
Manual Multi-turn Panel Mount  
Side View



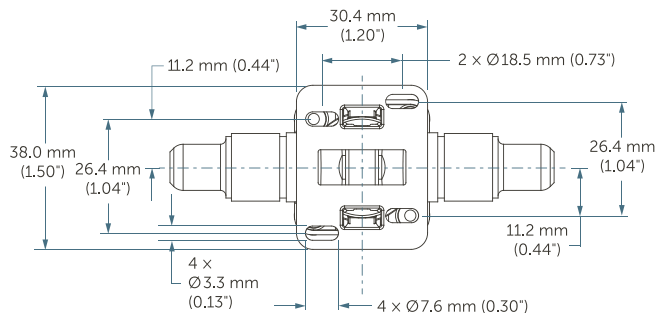
Panel Cutout



Manual Multi-turn  
Top View



Manual Multi-turn and Panel Mount  
Bottom View



## ORDERING INFORMATION

CR4 Series Valves: part number

CR4 - - -

### Special order

- 3 = PFA Flaretek nut\*
- 6 = CPFA Flaretek nut\*
- II = FlareLock® II nut\*
- N = Pillar nuts, inserts and gauge rings included\*\*
- = NA

### Port configuration

- 4F = Port 1 (inlet), Port 2 (outlet) 1/4" Flaretek
- 4P = Port 1 (inlet), Port 2 (outlet) 1/4" PureBond
- 4SO = Port 1 (inlet) 1/4" Flaretek, Port 2 (outlet) 1/4" Flaretek "SpaceSaver"
- 4SI = Port 1 (inlet) 1/4" Flaretek "SpaceSaver", Port 2 (outlet) 1/4" Flaretek
- 4PS3 = Port 1 (inlet), Port 2 (outlet) 1/4" Super 300 Type Pillar
- 4K = Port 1 (inlet), Port 2 (outlet) 1/4" PrimeLock
- 4KV = Port 1 (inlet) 1/4" PrimeLock, Port 2 (outlet) 1/4" PrimeLock "SpaceSaver"
- 4VK = Port 1 (inlet) 1/4" PrimeLock "SpaceSaver", Port 2 (outlet) 1/4" PrimeLock
- 4VV = Port 1 (inlet), Port 2 (outlet) 1/4" PrimeLock "SpaceSaver"
- 4N = Port 1 (inlet), Port 2 (outlet) 1/4" FNPT
- 6F = Port 1 (inlet), Port 2 (outlet) 3/8" Flaretek
- 6SO = Port 1 (inlet) 3/8" Flaretek, Port 2 (outlet) 3/8" Flaretek "SpaceSaver"
- 6SI = Port 1 (inlet) 3/8" Flaretek "SpaceSaver", Port 2 (outlet) 3/8" Flaretek
- 6PS3 = Port 1 (inlet), Port 2 (outlet) 3/8" Super 300 Type Pillar
- 6K = Port 1 (inlet), Port 2 (outlet) 3/8" PrimeLock
- 6KV = Port 1 (inlet) 3/8" PrimeLock, Port 2 (outlet) 3/8" PrimeLock "SpaceSaver"
- 6VK = Port 1 (inlet) 3/8" PrimeLock "SpaceSaver", Port 2 (outlet) 3/8" PrimeLock
- 6VV = Port 1 (inlet), Port 2 (outlet) 3/8" PrimeLock "SpaceSaver"

### Actuator

- 2M = 2-way manual multi-turn
- 2PM = 2-way manual multi-turn panel mount

Notes: Not all configurations are permitted. Consult Entegris if multiple special order features are required. Contact factory if "SpaceSaver" port connections are to be used in media containing a fluorinated surfactant.

\*Available for Flaretek port connections only.

\*\*Available for Super 300 Type Pillar port connections only.

## FOR MORE INFORMATION

Please call your Regional Customer Service Center today to learn what Entegris can do for you. Visit [entegris.com](http://entegris.com) and select the [Contact Us](#) link to find the customer service center nearest you.

## TERMS AND CONDITIONS OF SALE

All purchases are subject to Entegris' Terms and Conditions of Sale. To view and print this information, visit [entegris.com](http://entegris.com) and select the [Terms & Conditions](#) link in the footer.



Corporate Headquarters  
129 Concord  
Billerica, MA 01821  
USA

Customer Service  
Tel +1 952 556 4181  
Fax +1 952 556 8022  
Toll Free 800 394 4083

Entegris®, the Entegris Rings Design®, and other product names are trademarks of Entegris, Inc. as listed on [entegris.com/trademarks](http://entegris.com/trademarks). All third-party product names, logos, and company names are trademarks or registered trademarks of their respective owners. Use of them does not imply any affiliation, sponsorship, or endorsement by the trademark owner.