

Cynergy[®] Process Tee Valve

Increases yield by enhancing cleanability and eliminating problems such as corrosion and metallic poisoning



All-Teflon[®] PFA Process Tee Valve

Designed to protect and transport critical materials used in the pharmaceutical and biotechnology industries, Entegris has expanded their award-winning Cynergy[®] product line to include the first all-Teflon[®] PFA Process Tee valve. The valve, made from materials that meet the standard requirements of the FDA, USP, 3-A, and USDA, has a close-coupled branch to reduce dead leg and entrapment potential, while ensuring drainability and eliminating potential bacteria growth areas.

Cleanability Minimizes Downtime

The Cynergy valve design, coupled with the high-lubricity characteristics of Teflon PFA, allows the valve to be easily cleaned with routine CIP cycles while minimizing downtime. In addition, the Process Tee valve has three common ports to assist in the sampling, draining, or diversion of critical process fluids. The valve design provides size and port connection configuration flexibility, enabling quick and easy customization to meet the unique needs of pharmaceutical and biotechnology manufacturers.

Proven Reliability

As with all Cynergy valves, Entegris has utilized Saunders, a leader in aseptic valve technology, to incorporate its diaphragm and operator into the Process Tee valve design to enhance reliability. The valve is available with pneumatic or manual operators and welded or clamped port connections.

Complete Nonmetallic Process System

Entegris' Cynergy products include tubing, valves, fittings, adapters, containers, supports, and welding equipment to provide the pharmaceutical and biotechnology markets with a complete nonmetallic fluid process system.

Entegris enables these industries to replace stainless steel with nonmetallic components, resulting in increased yields by enhancing cleanability and eliminating problems such as corrosion and metallic poisoning.

APPLICATIONS

Ideal for use in applications where you need continuous flow through the valve and the ability to drain, sample, or divert fluid while ensuring drainability and eliminating entrapment potential, including:

- High purity corrosive chemical handling
- Water for injection (WFI)
- Purified water
- Slurries and other shear-sensitive chemistries

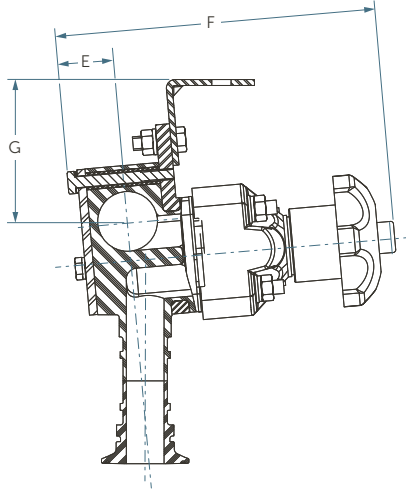
VALVE DRAINABILITY

The Cynergy Process Tee valves' unique patented angled branch design facilitates complete valve drainability, ensuring the integrity of your process. In addition, the valve's weir location closely couples the through bore and branch, nearly eliminating dead leg.

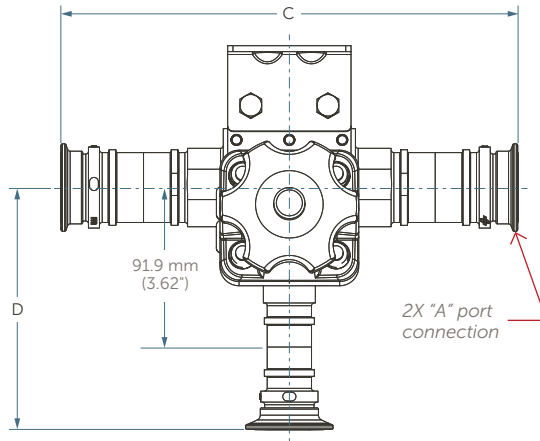
DIMENSIONS

Manual

Side View



Top View



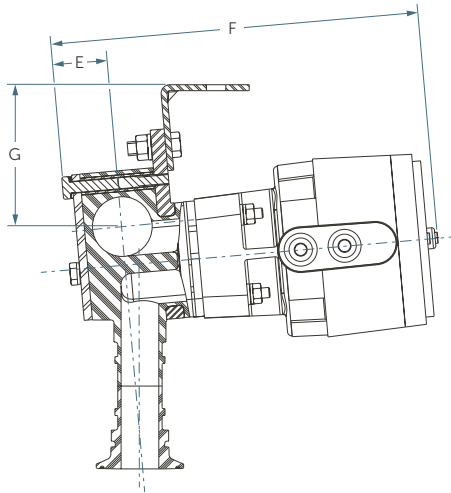
DIMENSIONS

"A" port connection (2X)	"B" port connection	C	D	E	F (closed)	F open	G
1" Cynergy clamp	½" Cynergy clamp	209.8 mm (8.26")	95.2 mm (3.75")	12.4 mm (0.49")	86.4 mm (3.40")	92.5 mm (3.64")	34.5 mm (1.36")
1" Cynergy clamp	1" Cynergy clamp	263.6 mm (10.38")	133.3 mm (5.25")	28.9 mm (1.14")	179.6 mm (7.07")	191.5 mm (7.54")	75.2 mm (2.96")
1" Cynergy weld	½" Cynergy weld	114.3 mm (4.50")	57.1 mm (2.25")	12.4 mm (0.49")	86.4 mm (3.40")	92.5 mm (3.64")	34.5 mm (1.36")
1" Cynergy weld	1" Cynergy weld	168.1 mm (6.62")	85.6 mm (3.37")	28.9 mm (1.14")	179.6 mm (7.07")	191.5 mm (7.54")	75.2 mm (2.96")
1½" Cynergy clamp	½" Cynergy clamp	263.6 mm (10.38")	111.0 mm (4.37")	32.3 mm (1.27")	184.9 mm (7.28")	196.8 mm (7.75")	81.8 mm (3.22")
1½" Cynergy clamp	1" Cynergy clamp	263.6 mm (10.38")	139.7 mm (5.50")	32.3 mm (1.27")	184.9 mm (7.28")	196.8 mm (7.75")	81.8 mm (3.22")
1½" Cynergy weld	½" Cynergy weld	168.1 mm (6.62")	72.9 mm (2.87")	32.3 mm (1.27")	184.9 mm (7.28")	196.8 mm (7.75")	81.8 mm (3.22")
1½" Cynergy weld	1" Cynergy weld	168.1 mm (6.62")	91.8 mm (3.62")	32.3 mm (1.27")	184.9 mm (7.28")	196.8 mm (7.75")	81.8 mm (3.22")
2" Cynergy clamp	½" Cynergy clamp	276.3 mm (10.88")	117.3 mm (4.62")	38.9 mm (1.53")	199.1 mm (7.84")	211.1 mm (8.31")	88.6 mm (3.49")
2" Cynergy clamp	1" Cynergy clamp	276.3 mm (10.88")	146.1 mm (5.75")	38.9 mm (1.53")	199.1 mm (7.84")	211.1 mm (8.31")	88.6 mm (3.49")
2" Cynergy weld	½" Cynergy weld	174.5 mm (6.87")	79.2 mm (3.12")	38.9 mm (1.53")	199.1 mm (7.84")	211.1 mm (8.31")	88.6 mm (3.49")
2" Cynergy weld	1" Cynergy weld	174.5 mm (6.87")	98.3 mm (3.87")	38.9 mm (1.53")	199.1 mm (7.84")	211.1 mm (8.31")	88.6 mm (3.49")

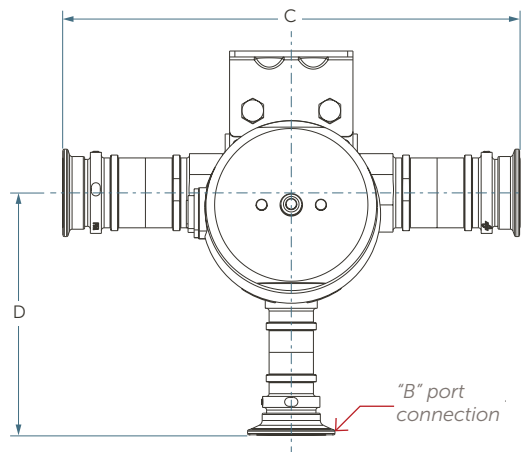
DIMENSIONS (CONTINUED)

Pneumatic

Side View



Top View



DIMENSIONS

"A" port connection (2X)	"B" port connection	C	D	E	F (closed)	F open	G
1" Cynergy clamp	1" Cynergy clamp	263.6 mm (10.38")	133.3 mm (5.25")	28.9 mm (1.14")	211.6 mm (8.33")	221.5 mm (8.72")	75.2 mm (2.96")
1" Cynergy weld	1" Cynergy weld	168.1 mm (6.62")	85.6 mm (3.37")	28.9 mm (1.14")	211.6 mm (8.33")	221.5 mm (8.72")	75.2 mm (2.96")
1½" Cynergy clamp	½" Cynergy clamp	263.6 mm (10.38")	111.0 mm (4.37")	32.3 mm (1.27")	212.8 mm (8.38")	222.7 mm (8.77")	81.8 mm (3.22")
1½" Cynergy clamp	1" Cynergy clamp	263.6 mm (10.38")	139.7 mm (5.50")	32.3 mm (1.27")	212.8 mm (8.38")	222.7 mm (8.77")	81.8 mm (3.22")
1½" Cynergy weld	½" Cynergy weld	168.1 mm (6.62")	72.9 mm (2.87")	32.3 mm (1.27")	212.8 mm (8.38")	222.7 mm (8.77")	81.8 mm (3.22")
1½" Cynergy weld	1" Cynergy weld	168.1 mm (6.62")	91.8 mm (3.62")	32.3 mm (1.27")	212.8 mm (8.38")	222.7 mm (8.77")	81.8 mm (3.22")
2" Cynergy clamp	½" Cynergy clamp	276.3 mm (10.88")	117.3 mm (4.62")	38.9 mm (1.53")	227.1 mm (8.94")	237.0 mm (9.33")	88.6 mm (3.49")
2" Cynergy clamp	1" Cynergy clamp	276.3 mm (10.88")	146.1 mm (5.75")	38.9 mm (1.53")	227.1 mm (8.94")	237.0 mm (9.33")	88.6 mm (3.49")
2" Cynergy weld	½" Cynergy weld	174.5 mm (6.87")	79.2 mm (3.12")	38.9 mm (1.53")	227.1 mm (8.94")	237.0 mm (9.33")	88.6 mm (3.49")
2" Cynergy weld	1" Cynergy weld	174.5 mm (6.87")	98.3 mm (3.87")	38.9 mm (1.53")	227.1 mm (8.94")	237.0 mm (9.33")	88.6 mm (3.49")

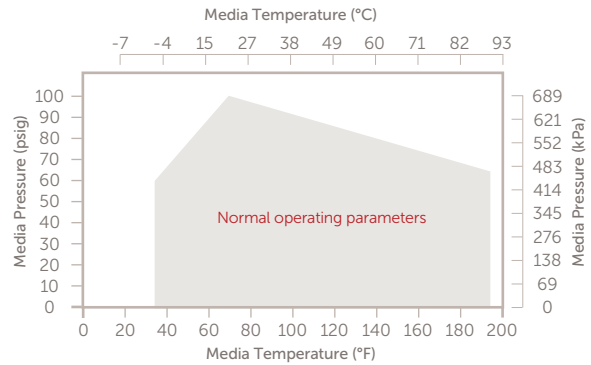
SPECIFICATIONS

As with all Cynergy products, the Process Tee valve will perform to the operating conditions shown whether clamped to an equivalent fitting or to stainless steel component.

Autoclavability

Disassemble valves and unclamp connections before autoclaving. 124°C (255°F) is the maximum autoclave temperature.

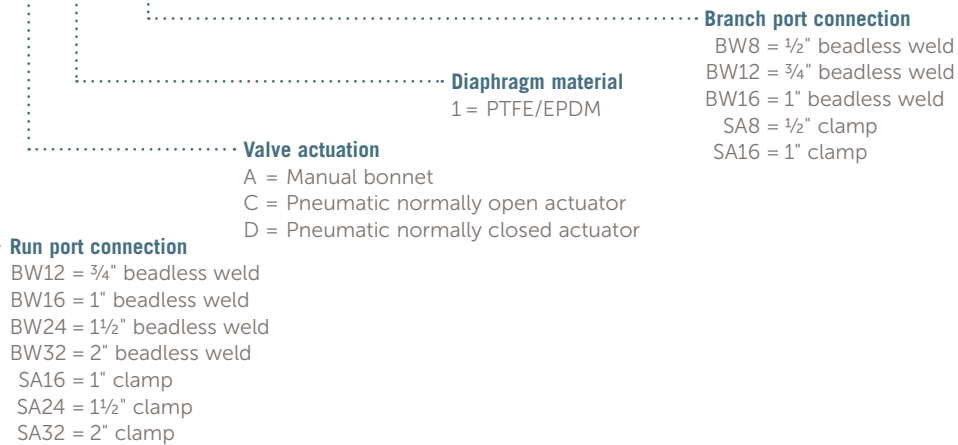
For Normal Continuous Operating Conditions



ORDERING INFORMATION

Cynergy Process Tee Valve: part number

CPT - - - 1 -



FOR MORE INFORMATION

Please call your Regional Customer Service Center today to learn what Entegris can do for you. Visit entegris.com and select the [Contact Us](#) link to find the customer service center nearest you.

TERMS AND CONDITIONS OF SALE

All purchases are subject to Entegris' Terms and Conditions of Sale. To view and print this information, visit entegris.com and select the [Terms & Conditions](#) link in the footer.



Corporate Headquarters
 129 Concord Road
 Billerica, MA 01821
 USA

Customer Service
 Tel +1 952 556 4181
 Fax +1 952 556 8022
 Toll Free 800 394 4083

Entegris®, the Entegris Rings Design®, and other product names are trademarks of Entegris, Inc. as listed on entegris.com/trademarks. All third-party product names, logos, and company names are trademarks or registered trademarks of their respective owners. Use of them does not imply any affiliation, sponsorship, or endorsement by the trademark owner.

©2002-2018 Entegris, Inc. | All rights reserved. | Printed in the USA | 3110-10004ENT-0918