



PFA-LINED MANUAL 2-WAY DIAPHRAGM VALVES

For use with high-purity corrosive chemicals

Overview

Entegris' PFA-lined valve is designed for use in high-purity chemical applications.

Applications

For use with high-purity corrosive chemicals within the semiconductor and flat panel markets.

Features and Benefits

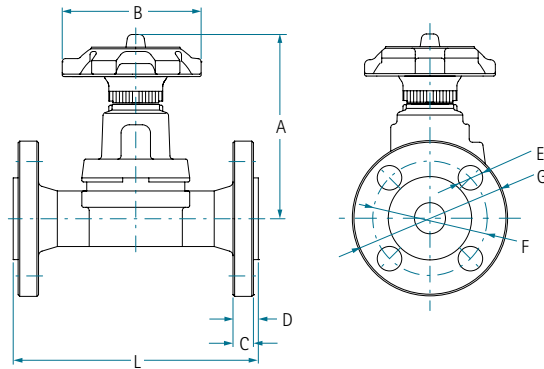
- Manual handle locking system
- All wetted surfaces are PFA and PTFE for high-purity chemical applications
- Visual open/close actuator position indication
- Stainless steel body with PFA lining is suited for use in high-pressure applications



Specifications

Materials:	Exterior actuator parts	Stainless steel, glass-filled polypropylene, polycarbonate	
	Interior actuator parts	Stainless steel, polyphenylene sulfide, EPDM, copper	
	Wetted parts	PTFE, PFA	
Maximum operating pressure:	588.4 kPa (85.3 psig)		
Maximum operating temperature:	Fluid	90°C (194°F)	
	Ambient	50°C (122°F)	
Leakage test pressure:	External bonnet seal	980.7 kPa (142.2 psig)	
	Port-to-port diaphragm seal	1/2" (15A), 3/4" (20A), 1" (25A)	784 kPa (114 psig)
		1 1/2" (40A), 2" (50A)	686 kPa (99.5 psig)

Dimensions



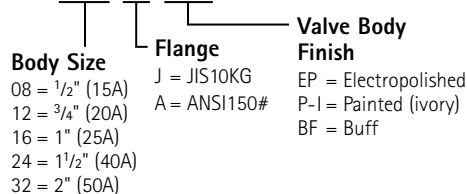
JIS 10 kg Flange	Port Size	C _v Maximum	A	B	C	D	E	F	G	L
EPLLDMV-P08-J-XX	1/2" (15A)	7	112.8 mm (4.44")	80 mm (3.15")	12.5 mm (0.49")	3 mm (0.12")	15 mm (0.59")	70.0 mm (2.76")	95 mm (3.74")	150 mm (5.91")
EPLLDMV-P12-J-XX	3/4" (20A)	7	112.8 mm (4.44")	80 mm (3.15")	14.0 mm (0.55")	3 mm (0.12")	15 mm (0.59")	75.0 mm (2.95")	100 mm (3.94")	150 mm (5.91")
EPLLDMV-P16-J-XX	1" (25A)	10	131.5 mm (5.18")	90 mm (3.54")	14.0 mm (0.55")	3 mm (0.12")	19 mm (0.75")	90.0 mm (3.54")	125 mm (4.92")	160 mm (6.30")
EPLLDMV-P24-J-XX	1 1/2" (40A)	26	186.0 mm (7.32")	136 mm (5.35")	16.0 mm (0.63")	3 mm (0.12")	19 mm (0.75")	105.0 mm (4.13")	140 mm (5.51")	200 mm (7.87")
EPLLDMV-P32-J-XX	2" (50A)	43	206.0 mm (8.11")	136 mm (5.35")	18.0 mm (0.71")	3 mm (0.12")	19 mm (0.75")	120.0 mm (4.72")	155 mm (6.10")	230 mm (9.06")
ANSI 150# Flange										
EPLLDMV-P12-A-XX	3/4" (20A)	7	112.8 mm (4.44")	80 mm (3.15")	12.5 mm (0.49")	3 mm (0.12")	15 mm (0.59")	70.0 mm (2.76")	98 mm (3.86")	150 mm (5.91")
EPLLDMV-P16-A-XX	1" (25A)	10	131.5 mm (5.18")	90 mm (3.54")	14.0 mm (0.55")	3 mm (0.12")	19 mm (0.75")	79.4 mm (3.13")	108 mm (4.25")	160 mm (6.30")
EPLLDMV-P24-A-XX	1 1/2" (40A)	26	186.0 mm (7.32")	136 mm (5.35")	16.0 mm (0.63")	3 mm (0.12")	19 mm (0.75")	98.4 mm (3.87")	127 mm (5.00")	200 mm (7.87")
EPLLDMV-P32-A-XX	2" (50A)	43	206.0 mm (8.11")	136 mm (5.35")	18.0 mm (0.71")	3 mm (0.12")	19 mm (0.75")	120.0 mm (4.72")	155 mm (6.10")	230 mm (9.06")

Ordering Information

PFA-Lined Manual 2-Way Diaphragm Valves

Part Number

EPLLDMV-P



Note: Not all configurations are permitted. Consult Entegris if multiple special order features are required.

Entegris® is a registered trademark of Entegris, Inc.

ENTEGRIS, INC.

Corporate Headquarters | 129 Concord Road | Billerica, MA 01821 USA
 Customer Service Tel. +1 952 556 4181 | Customer Service Fax +1 952 556 8022
 In North America 800 394 4083 | www.entegris.com

©2008-2012 Entegris, Inc. All rights reserved Printed in USA 3270-5319ENT-0412

For More Information

Please call your Regional Customer Service Center today to learn what Entegris can do for you. Visit www.entegris.com and select the Customer Service link for the center nearest you.

Terms and Conditions of Sale

All purchases are subject to Entegris' Terms and Conditions of Sale. To view and print this information, visit www.entegris.com and select the Legal Notices link from the footer.

