

# EP PFA Pneumatic Valves, 1 1/2" and 2", 2-way

*Enable high flow, bulk chemical delivery in high-purity, corrosive chemical applications*

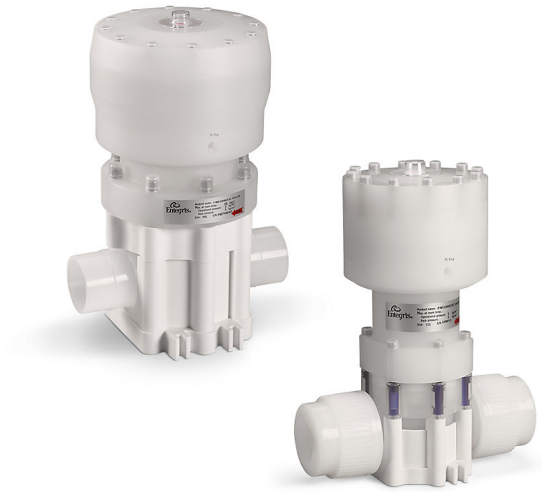
Our EP PFA 1-1/2" and 2" pneumatic valves have a unique seal and through-bolt construction that is capable of distributing large volumes of high-purity chemical. Available in 2-way normally open or normally closed configurations and industry-leading port connections including PrimeLock®, flare, or 40A or 50A PureBond® pipe, our portfolio of 1-1/2" and 2" EP PFA valves will meet your most demanding bulk chemical delivery needs in semiconductor and flat panel display applications.

## APPLICATIONS

- Bulk chemical delivery in the semiconductor and flat panel display markets
- High-purity, corrosive chemical handling within the semiconductor and flat panel display markets

## FEATURES & BENEFITS

|  |  |
|--|--|
| <b>High C<sub>v</sub> flows</b>                      | Capable of carrying large volumes of chemical with minimal pressure drop           |
| <b>Visual valve position indication</b>              | Allow easy on/off control  |
| <b>PFA and PTFE wetted materials of construction</b> | Provide chemical resistance to a broad range of corrosive chemicals                |
| <b>Optional electronic position sensing</b>          | Enables easy valve position verification from a remote location, increasing safety |



1-1/2" and 2" EP PFA pneumatic valves

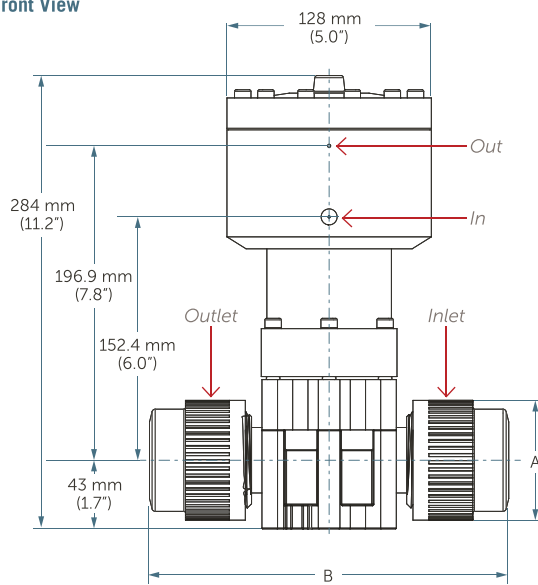
## SPECIFICATIONS

|                                  |  |  |
|----------------------------------|--|--|
| <b>Materials</b>                 | All wetted parts                                       | PFA, PTFE  |
|                                  | Nonwetted parts  | Copper, Viton®, stainless steel 304, brass, PP+G/F, PC |
| <b>Pressure range</b>            | 689.5 kPa (100 psig) @ 21°C (70°F) fluid temperature   |  |
| <b>Temperature range</b>         | 21° to 90°C (70° to 194°F)                             |  |
| <b>Pneumatic supply port</b>     | 1/8" PT  |  |
| <b>Pneumatic supply pressure</b> | 414 kPa (60 psig) minimum to 586 kPa (85 psig) maximum |  |

## DIMENSIONS

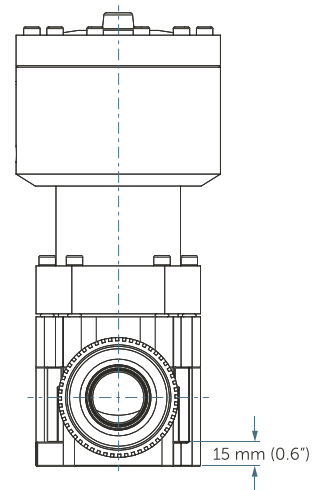
EP PFA 1½", Pneumatic Valve

Front View



EP PFA 1½", Pneumatic Valve

Side View



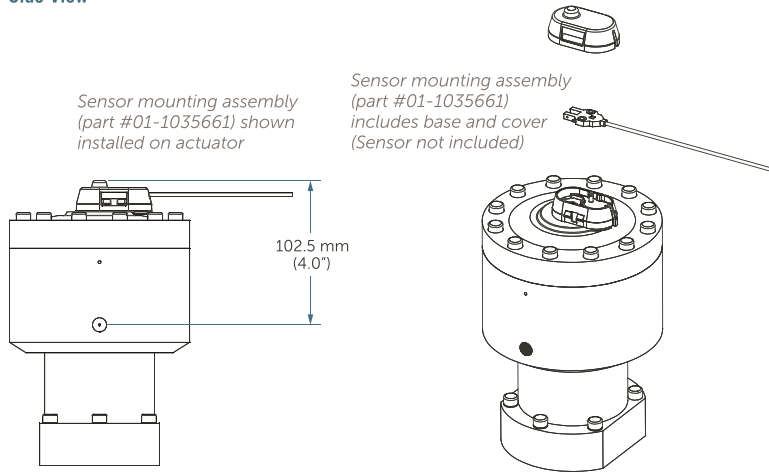
Dimensions

| Port connection     | Flow factor                                | A               | B                |
|---------------------|--|-----------------|------------------|
| 1-1/2" EP PFA flare | 16.6 C <sub>v</sub> (14.4 K <sub>v</sub> ) | 75.0 mm (2.95") | 225.0 mm (8.86") |
| 1-1/2" PrimeLock    | 16.6 C <sub>v</sub> (14.4 K <sub>v</sub> ) | 78.0 mm (3.07") | 232.0 mm (9.13") |
| 40 mm PrimeLock     | 16.6 C <sub>v</sub> (14.4 K <sub>v</sub> ) | 78.0 mm (3.07") | 232.0 mm (9.13") |

## DIMENSIONS

### EP PFA 1½" Pneumatic Valve

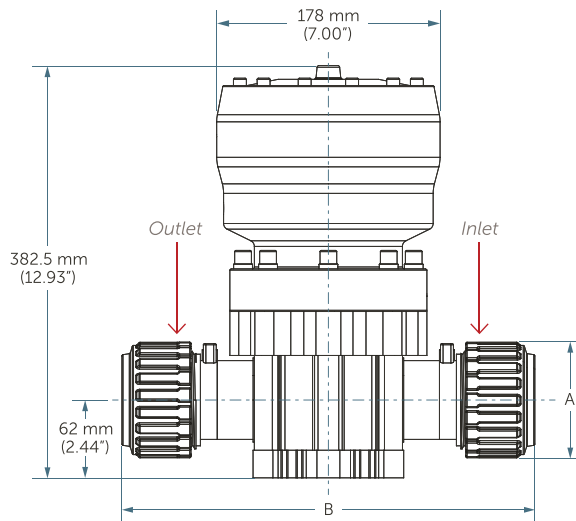
#### Side View



Omron® position sensor part number (EE-SX770R or EE-SX770A) is sold separately.

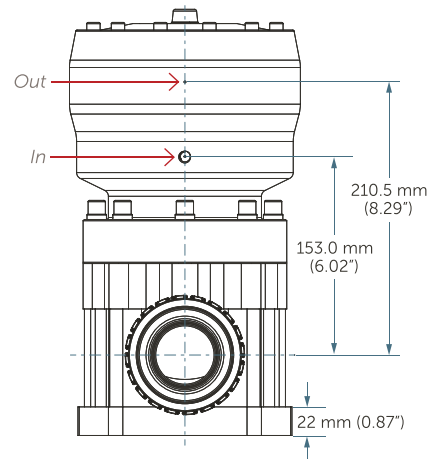
### EP PFA 2" Pneumatic Valve

#### Front View



### EP PFA 2" Pneumatic Valve

#### Side View



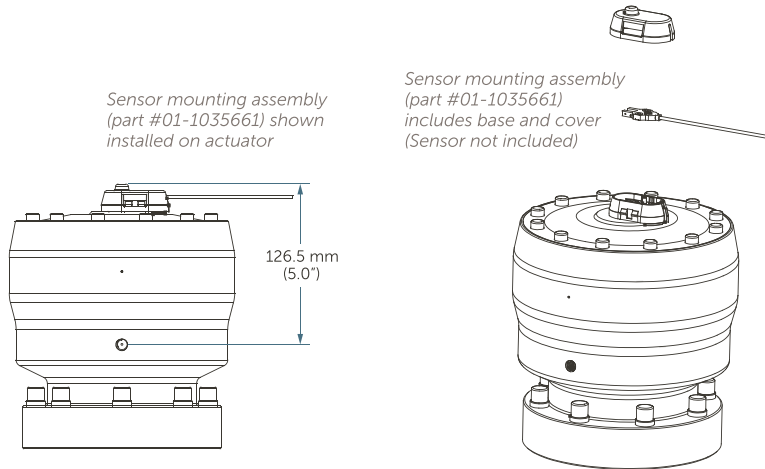
#### Dimensions

| Port connection            | Flow factor                                | A               | B                |
|----------------------------|--|-----------------|------------------|
| 1-1/2" PureBond pipe (40A) | 38.5 C <sub>v</sub> (33.3 K <sub>v</sub> ) | 48.3 mm (1.90") | 220.0 mm (8.66") |
| 2" PureBond pipe (50A)     | 49.1 C <sub>v</sub> (42.5 K <sub>v</sub> ) | 60.3 mm (2.37") | 220.0 mm (8.66") |
| 2" EP PFA flare            | 42.3 C <sub>v</sub> (36.6 K <sub>v</sub> ) | 92.0 mm (3.74") | 329.0 mm (12.9") |

## DIMENSIONS

### EP PFA 2" Pneumatic Valve

#### Side View



Omron® position sensor part number (EE-SX770R or EE-SX770A) is sold separately.

## ORDERING INFORMATION

| PART NUMBER     | PORT CONNECTION     | ACTUATOR                                 | ACTUATOR LOCATION | FASTENERS              |
|-----------------|---------------------|--|-------------------|------------------------|
| PLPV-F24        | 1 1/2" EP PFA Flare | Pneumatic normally closed                | Standard          | Stainless steel        |
| PLPV-F24-OM     | 1 1/2" EP PFA Flare | Pneumatic normally closed (Omron sensor) | Standard          | Stainless steel        |
| PLPV-F32-45D-N  | 2" EP PFA flare     | Pneumatic normally closed                | Rotated +45°      | Stainless steel        |
| PLPV-F32-45D-OM | 2" EP PFA flare     | Pneumatic normally closed (Omron sensor) | Rotated +45°      | Stainless steel        |
| PLPV-F32-90D-N  | 2" EP PFA flare     | Pneumatic normally closed                | Rotated +90°      | Stainless steel        |
| PLPV-F32-90D-OM | 2" EP PFA flare     | Pneumatic normally closed (Omron sensor) | Rotated +90°      | Stainless steel        |
| PLPV-F32-C      | 2" EP PFA flare     | Pneumatic normally closed                | Standard          | Coated stainless steel |
| PLPV-F32-N      | 2" EP PFA flare     | Pneumatic normally closed                | Standard          | Stainless steel        |
| PLPV-F32-OM     | 2" EP PFA flare     | Pneumatic normally closed (Omron sensor) | Standard          | Stainless steel        |
| PLPV-K24        | 1 1/2" PrimeLock®   | Pneumatic normally closed                | Standard          | Stainless steel        |

## ORDERING INFORMATION

| PART NUMBER       | PORT CONNECTION             | ACTUATOR                                 | ACTUATOR LOCATION | FASTENERS              |
|-------------------|-----------------------------|--|-------------------|------------------------|
| PLPV-KM40         | 40 mm PrimeLock®            | Pneumatic normally closed                | Standard          | Stainless steel        |
| PLPV-P24          | 1 1/2" PureBond® pipe (40A) | Pneumatic normally closed                | Standard          | Stainless steel        |
| PLPV-P24-90D      | 1 1/2" PureBond® pipe (40A) | Pneumatic normally closed                | Rotated +90°      | Stainless steel        |
| PLPV-P24-C        | 1 1/2" PureBond® pipe (40A) | Pneumatic normally closed                | Standard          | Coated stainless steel |
| PLPV-P24-C-OM     | 1 1/2" PureBond® pipe (40A) | Pneumatic normally closed (Omron sensor) | Standard          | Coated stainless steel |
| PLPV-P24-OM       | 1 1/2" PureBond® pipe (40A) | Pneumatic normally closed (Omron sensor) | Standard          | Stainless steel        |
| PLPV-P32          | 2" PureBond® pipe (50A)     | Pneumatic normally closed                | Standard          | Stainless steel        |
| PLPV-P32-45D      | 2" PureBond® pipe (50A)     | Pneumatic normally closed                | Rotated +45°      | Stainless steel        |
| PLPV-P32-45D-C    | 2" PureBond® pipe (50A)     | Pneumatic normally closed                | Rotated +45°      | Coated stainless steel |
| PLPV-P32-45D-C-OM | 2" PureBond® pipe (50A)     | Pneumatic normally closed (Omron sensor) | Rotated +45°      | Coated stainless steel |
| PLPV-P32-45D-OM   | 2" PureBond® pipe (50A)     | Pneumatic normally closed (Omron sensor) | Rotated +45°      | Stainless steel        |
| PLPV-P32-90D      | 2" PureBond® pipe (50A)     | Pneumatic normally closed                | Rotated +90°      | Stainless steel        |
| PLPV-P32-90D-C    | 2" PureBond® pipe (50A)     | Pneumatic normally closed                | Rotated +90°      | Coated stainless steel |
| PLPV-P32-90D-OM   | 2" PureBond® pipe (50A)     | Pneumatic normally closed (Omron sensor) | Rotated +90°      | Stainless steel        |
| PLPV-P32-C        | 2" PureBond® pipe (50A)     | Pneumatic normally closed                | Standard          | Coated stainless steel |
| PLPV-P32-C-OM     | 2" PureBond® pipe (50A)     | Pneumatic normally closed (Omron sensor) | Standard          | Coated stainless steel |
| PLPV-P32-OM       | 2" PureBond® pipe (50A)     | Pneumatic normally closed (Omron sensor) | Standard          | Stainless steel        |
| PLPVO-P24         | 1 1/2" PureBond® pipe (40A) | Pneumatic normally open                  | Standard          | Stainless steel        |

## ORDERING INFORMATION

| PART NUMBER   | PORT CONNECTION             | ACTUATOR                | ACTUATOR LOCATION | FASTENERS       |
|---------------|-----------------------------|-------------------------|-------------------|-----------------|
| PLPVO-P24-90D | 1 1/2" PureBond® pipe (40A) | Pneumatic normally open | Rotated +90°      | Stainless steel |
| PLPVO-P32-90D | 2" EP PFA flare             | Pneumatic normally open | Rotated +90°      | Stainless steel |

### FOR MORE INFORMATION

Please call your Regional Customer Service Center today to learn what Entegris can do for you. Visit [entegris.com](https://www.entegris.com) and select the [Contact Us](#) link to find the customer service center nearest you.

### TERMS AND CONDITIONS OF SALE

All purchases are subject to Entegris' Terms and Conditions of Sale. To view and print this information, visit [entegris.com](https://www.entegris.com) and select the [Terms & Conditions](#) link in the footer.



Corporate Headquarters  
129 Concord  
Billerica, MA 01821  
USA

Customer Service  
Tel +1 952 556 4181  
Fax +1 952 556 8022  
Toll Free 800 394 4083

Entegris®, the Entegris Rings Design®, and other product names are trademarks of Entegris, Inc. as listed on [entegris.com/trademarks](https://www.entegris.com/trademarks). All third-party product names, logos, and company names are trademarks or registered trademarks of their respective owners. Use of them does not imply any affiliation, sponsorship, or endorsement by the trademark owner.

©2008-2022 Entegris, Inc. | All rights reserved. | Printed in the USA | 3273-5320DSA-0722