

EP PFA Pneumatic Valves, 1 1/2" and 2", 2-way

Enable high flow, bulk chemical delivery in high-purity, corrosive chemical applications

Our EP PFA 1-1/2" and 2" pneumatic valves have a unique seal and through-bolt construction that is capable of distributing large volumes of high-purity chemical. Available in 2-way normally open or normally closed configurations and industry-leading port connections including PrimeLock®, flare, or 40A or 50A PureBond® pipe, our portfolio of 1-1/2" and 2" EP PFA valves will meet your most demanding bulk chemical delivery needs in semiconductor and flat panel display applications.

APPLICATIONS

- Bulk chemical delivery in the semiconductor and flat panel display markets
- High-purity, corrosive chemical handling within the semiconductor and flat panel display markets

FEATURES & BENEFITS

High C_v flows	Capable of carrying large volumes of chemical with minimal pressure drop
Visual valve position indication	Allow easy on/off control
PFA and PTFE wetted materials of construction	Provide chemical resistance to a broad range of corrosive chemicals
Optional electronic position sensing	Enables easy valve position verification from a remote location, increasing safety



1-1/2" and 2" EP PFA pneumatic valves

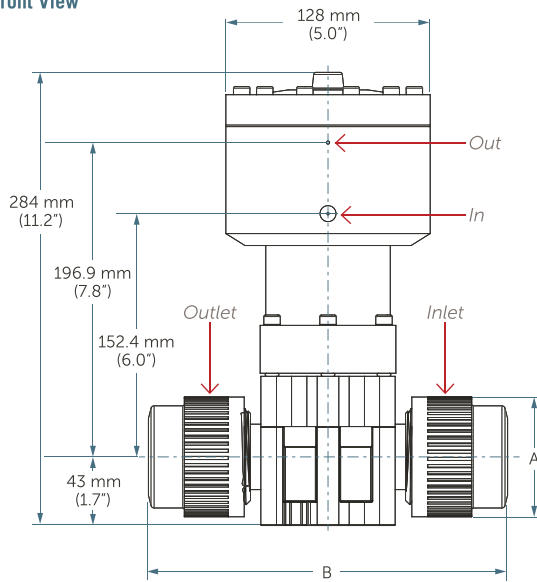
SPECIFICATIONS

Materials	All wetted parts	PFA, PTFE
	Nonwetted parts	Copper, Viton®, stainless steel 304, brass, PP+G/F, PC
Pressure range	689.5 kPa (100 psig) @ 21°C (70°F) fluid temperature	
Temperature range	21° to 90°C (70° to 194°F)	
Pneumatic supply port	1/8" PT	
Pneumatic supply pressure	414 kPa (60 psig) minimum to 586 kPa (85 psig) maximum	

DIMENSIONS

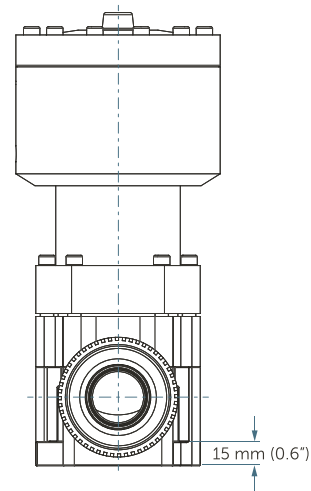
EP PFA 1½", Pneumatic Valve

Front View



EP PFA 1½", Pneumatic Valve

Side View



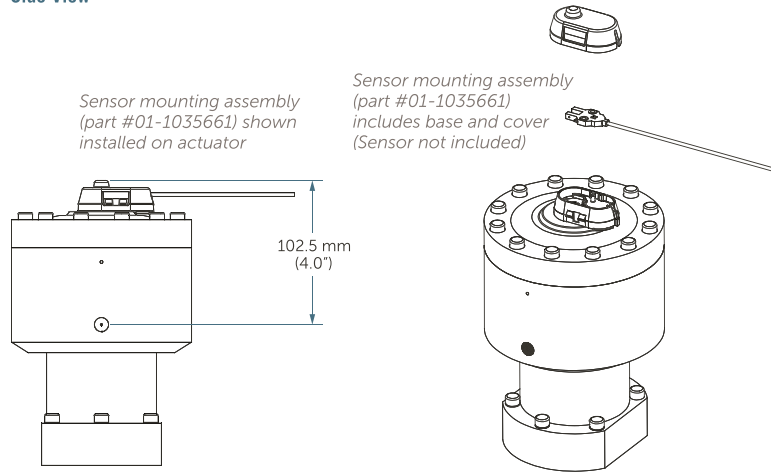
Dimensions

Port connection	Flow factor	A	B
1-1/2" EP PFA flare	16.6 C _v (14.4 K _v)	75.0 mm (2.95")	225.0 mm (8.86")
1-1/2" PrimeLock	16.6 C _v (14.4 K _v)	78.0 mm (3.07")	232.0 mm (9.13")
40 mm PrimeLock	16.6 C _v (14.4 K _v)	78.0 mm (3.07")	232.0 mm (9.13")

DIMENSIONS

EP PFA 1½" Pneumatic Valve

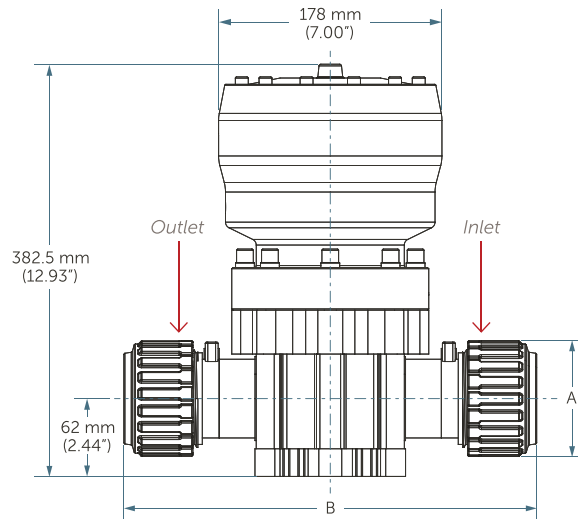
Side View



Omron® position sensor part number (EE-SX770R or EE-SX770A) is sold separately.

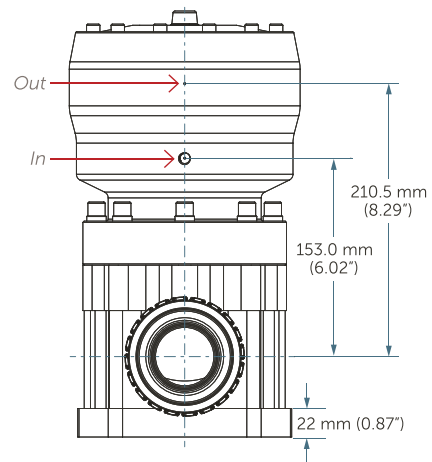
EP PFA 2" Pneumatic Valve

Front View



EP PFA 2" Pneumatic Valve

Side View



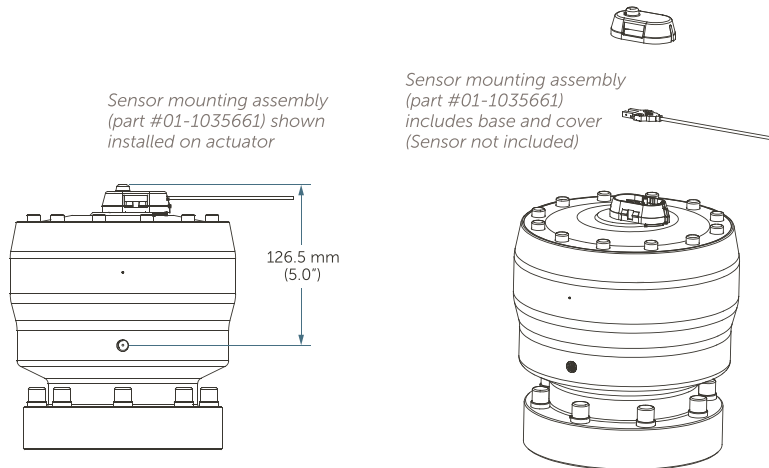
Dimensions

Port connection	Flow factor	A	B
1-1/2" PureBond pipe (40A)	38.5 C _v (33.3 K _v)	48.3 mm (1.90")	220.0 mm (8.66")
2" PureBond pipe (50A)	49.1 C _v (42.5 K _v)	60.3 mm (2.37")	220.0 mm (8.66")
2" EP PFA flare	42.3 C _v (36.6 K _v)	92.0 mm (3.74")	329.0 mm (12.9")

DIMENSIONS

EP PFA 2" Pneumatic Valve

Side View



Omron® position sensor part number (EE-SX770R or EE-SX770A) is sold separately.

ORDERING INFORMATION

PART NUMBER	PORT CONNECTION	ACTUATOR	ACTUATOR LOCATION	FASTENERS
PLPV-F24	1 1/2" EP PFA Flare	Pneumatic normally closed	Standard	Stainless steel
PLPV-F24-OM	1 1/2" EP PFA Flare	Pneumatic normally closed (Omron sensor)	Standard	Stainless steel
PLPV-F32-45D-N	2" EP PFA flare	Pneumatic normally closed	Rotated +45°	Stainless steel
PLPV-F32-45D-OM	2" EP PFA flare	Pneumatic normally closed (Omron sensor)	Rotated +45°	Stainless steel
PLPV-F32-90D-N	2" EP PFA flare	Pneumatic normally closed	Rotated +90°	Stainless steel
PLPV-F32-90D-OM	2" EP PFA flare	Pneumatic normally closed (Omron sensor)	Rotated +90°	Stainless steel
PLPV-F32-C	2" EP PFA flare	Pneumatic normally closed	Standard	Coated stainless steel
PLPV-F32-N	2" EP PFA flare	Pneumatic normally closed	Standard	Stainless steel
PLPV-F32-OM	2" EP PFA flare	Pneumatic normally closed (Omron sensor)	Standard	Stainless steel
PLPV-K24	1 1/2" PrimeLock®	Pneumatic normally closed	Standard	Stainless steel

ORDERING INFORMATION

PART NUMBER	PORT CONNECTION	ACTUATOR	ACTUATOR LOCATION	FASTENERS
PLPV-KM40	40 mm PrimeLock®	Pneumatic normally closed	Standard	Stainless steel
PLPV-P24	1 1/2" PureBond® pipe (40A)	Pneumatic normally closed	Standard	Stainless steel
PLPV-P24-90D	1 1/2" PureBond® pipe (40A)	Pneumatic normally closed	Rotated +90°	Stainless steel
PLPV-P24-C	1 1/2" PureBond® pipe (40A)	Pneumatic normally closed	Standard	Coated stainless steel
PLPV-P24-C-OM	1 1/2" PureBond® pipe (40A)	Pneumatic normally closed (Omron sensor)	Standard	Coated stainless steel
PLPV-P24-OM	1 1/2" PureBond® pipe (40A)	Pneumatic normally closed (Omron sensor)	Standard	Stainless steel
PLPV-P32	2" PureBond® pipe (50A)	Pneumatic normally closed	Standard	Stainless steel
PLPV-P32-45D	2" PureBond® pipe (50A)	Pneumatic normally closed	Rotated +45°	Stainless steel
PLPV-P32-45D-C	2" PureBond® pipe (50A)	Pneumatic normally closed	Rotated +45°	Coated stainless steel
PLPV-P32-45D-C-OM	2" PureBond® pipe (50A)	Pneumatic normally closed (Omron sensor)	Rotated +45°	Coated stainless steel
PLPV-P32-45D-OM	2" PureBond® pipe (50A)	Pneumatic normally closed (Omron sensor)	Rotated +45°	Stainless steel
PLPV-P32-90D	2" PureBond® pipe (50A)	Pneumatic normally closed	Rotated +90°	Stainless steel
PLPV-P32-90D-C	2" PureBond® pipe (50A)	Pneumatic normally closed	Rotated +90°	Coated stainless steel
PLPV-P32-90D-OM	2" PureBond® pipe (50A)	Pneumatic normally closed (Omron sensor)	Rotated +90°	Stainless steel
PLPV-P32-C	2" PureBond® pipe (50A)	Pneumatic normally closed	Standard	Coated stainless steel
PLPV-P32-C-OM	2" PureBond® pipe (50A)	Pneumatic normally closed (Omron sensor)	Standard	Coated stainless steel
PLPV-P32-OM	2" PureBond® pipe (50A)	Pneumatic normally closed (Omron sensor)	Standard	Stainless steel
PLPVO-P24	1 1/2" PureBond® pipe (40A)	Pneumatic normally open	Standard	Stainless steel

ORDERING INFORMATION

PART NUMBER	PORT CONNECTION	ACTUATOR	ACTUATOR LOCATION	FASTENERS
PLPVO-P24-90D	1 1/2" PureBond® pipe (40A)	Pneumatic normally open	Rotated +90°	Stainless steel
PLPVO-P32-90D	2" EP PFA flare	Pneumatic normally open	Rotated +90°	Stainless steel

FOR MORE INFORMATION

Please call your Regional Customer Service Center today to learn what Entegris can do for you. Visit entegris.com and select the [Contact Us](#) link to find the customer service center nearest you.

TERMS AND CONDITIONS OF SALE

All purchases are subject to Entegris' Terms and Conditions of Sale. To view and print this information, visit entegris.com and select the [Terms & Conditions](#) link in the footer.



Corporate Headquarters
129 Concord
Billerica, MA 01821
USA

Customer Service
Tel +1 952 556 4181
Fax +1 952 556 8022
Toll Free 800 394 4083

Entegris®, the Entegris Rings Design®, and other product names are trademarks of Entegris, Inc. as listed on entegris.com/trademarks. All third-party product names, logos, and company names are trademarks or registered trademarks of their respective owners. Use of them does not imply any affiliation, sponsorship, or endorsement by the trademark owner.

©2008-2022 Entegris, Inc. | All rights reserved. | Printed in the USA | 3273-5320DSA-0722