

Eximor® SV5 and SV5 Plus Solvent Filters

Point-of-use filtration for negative tone developers (NTD) and critical photochemical-solvent applications

Eximor® SV5 Solvent Filter

Eximor SV5 solvent filter satisfies stringent customer requirements for particle removal performance in sub-20 nm node photochemical-solvent applications. Eximor SV5 is exclusively designed for use on Tokyo Electron Limited (TEL®) Lithius Pro™ series clean tracks. Eximor SV5 is the newest generation of solvent filter in Eximor family.

Eximor SV5 Plus Solvent Filter for Ketones

Eximor SV5 Plus is the latest addition to the Eximor SV5 product family, jointly developed by Tokyo Electron Limited (TEL) and Entegris for the TEL Lithius Pro series clean tracks. While the current SV5 is designed primarily for NTD solvents, it is not applicable for cyclohexanone, which is an aggressive ketone solvent with increasing usage in photolithography processes. SV5 Plus is introduced with a unique filtration media designed to deliver the superior filtration performance in cyclohexanone. SV5 Plus shares the same type of Teflon® construction and flow path as the existing SV5 solvent filter, delivering maximum filter cleanliness and broad chemical compatibility.

Unique PTFE Membrane

Leveraging advanced solvent filtration technologies, the unique PTFE-based membrane delivers superior filtration efficiency for reduced on-wafer defectivity and improved process yield. Moreover, the all-Teflon filter construction enhances product cleanliness and supports broad chemical compatibility for clean, point-of-use operation. Combined with proprietary device cleaning, Eximor SV5 delivers a clean and effective filtration solution for point-of-use solvent applications in leading-edge photolithography.



APPLICATIONS

- Negative tone development (NTD) solvents
- Reducing resist consumption (RRC) solvents

FEATURES & BENEFITS

Next-generation solvent filtration device	Exclusively designed for use on Tokyo Electron Limited (TEL) Lithius Pro series clean tracks
	Delivers filtration performance for the most advanced sub-20 nm technology nodes
	Superior defect reduction performance in NTD solvent applications, compared to its predecessor Eximor SV1
Unique PTFE-based membrane	Superior removal efficiency Reduces on-wafer defectivity
	Improves process yield
	Superior defect reduction performance in NTD solvent applications, compared to its predecessor Eximor SV1
All-Teflon filter construction	Enhances product cleanliness and solvent filtration efficiency
	Supports broad chemical compatibility
	Enables clean, point-of-use operation

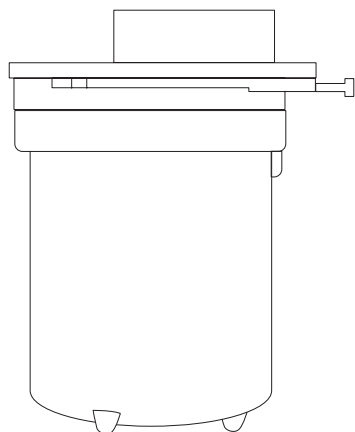
SPECIFICATIONS

	EXIMOR SV5	EXIMOR SV5 PLUS
Part number	EX5TT00K1	EX5TS00K1
Materials	Membrane	Functionalized PTFE
	Shell, core, support	PFA (Perfluoroalkoxy alkanes)
	O-ring	Kalrez® perfluorelastomer
Maximum operating conditions	Maximum inlet pressure: 0.39 MPa (3.9 bar, 56 psi) @ 25°C (77°F) Maximum forward/reverse differential pressure: 0.29 MPa (2.9 bar, 42 psi) @ 25°C (77°F) Maximum operating temperature: 40°C (104°F)	
Hold-up volume	50 cc	
Typical flow rate	800 cc/min (20°C, 1 cP) with 0.06 MPa pressure drop	
Target application	NTD	Ketone based solvents such as cyclohexanone
Fluid flow path	Same	
Compatibility	Eximor SV5 and SV5 Plus are compatible with most photochemical solvents, such as nBA, EL, PGMEA, PGME, NMP, etc. Please consult Entegris for more information on chemical compatibility and best product recommendation.	

Note: Eximor SV5 and SV5 Plus filters use Eximor SV manifold.

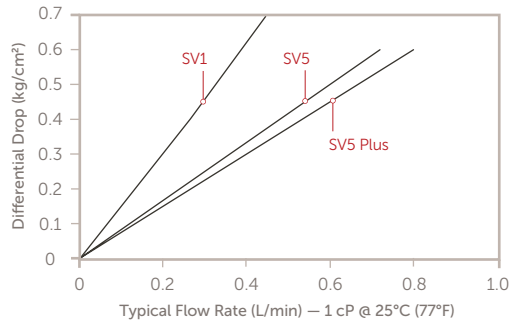
DRAWING

Side View



PERFORMANCE DATA

Eximor SV5 and SV5 Plus Solvent Filters



ORDERING INFORMATION

Part number	Description
EX5TT00K1	Eximor SV5 solvent filter
EX50000K1	Eximor SV5 flushing shell Kalrez

Note: Eximor SV manifold can be purchased through Tokyo Electron Ltd.

FOR MORE INFORMATION

Please call your Regional Customer Service Center today to learn what Entegris can do for you. Visit entegris.com and select the [Contact Us](#) link to find the customer service center nearest you.

TERMS AND CONDITIONS OF SALE

All purchases are subject to Entegris' Terms and Conditions of Sale. To view and print this information, visit entegris.com and select the [Terms & Conditions](#) link in the footer.



Corporate Headquarters
129 Concord Road
Billerica, MA 01821
USA

Customer Service
Tel +1 952 556 4181
Fax +1 952 556 8022
Toll Free 800 394 4083

Entegris®, the Entegris Rings Design®, Pure Advantage™, and other product names are trademarks of Entegris, Inc. as listed on entegris.com/trademarks. All third-party product names, logos, and company names are trademarks or registered trademarks of their respective owners. Use of them does not imply any affiliation, sponsorship, or endorsement by the trademark owner.

©2016-2019 Entegris, Inc. | All rights reserved. | Printed in the USA | 4415-8100ENT-1019