



FILM FRAME RINGS

Maximum protection for finished wafers

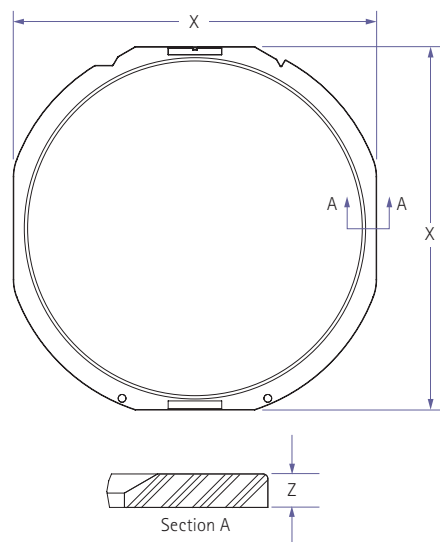
Overview

Entegris film frame rings are the preferred solution over metal rings because they are ergonomic, provide safe support during shipping and handling operations and are extremely lightweight.

Entegris film frame rings offer these features:

- Compatible with automatic frame handling tools
- Durable and reusable
- 60% lighter than metal rings
- No warping
- A fraction of the cost of metal rings
- Multiple frame sizes for transporting 150 mm, 200 mm and 300 mm wafers
- 300 mm rings with radio frequency identification (RFID) option

Dimensions



Wafer Size	Dimensions	
	X	Z
150 mm	216 mm (8.500")	2.2 mm (0.087")
200 mm	276 mm (10.870")	2.6 mm (0.102")
300 mm	380 mm (15.000")	3.5 mm (0.138")



150 mm, 200 mm and 300 mm film frame rings



Optional on 300 mm rings: 12-mm low-frequency glass encapsulated RFID transponder

Ordering Information

Part Number	Description	Material	MOQ
FFP150-217-1904	Film frame ring, 150 mm	Styrene acrylonitrile, red	100
FFP200-276-4602	Film frame ring, 200 mm	Polyphenylene sulfide, black	100
FFP300-380-4602	Film frame ring, 300 mm	Polyphenylene sulfide, black	50
FFP300-380-RF-4602	Film frame ring with RFID, 300 mm	Polyphenylene sulfide, black	50

For More Information

Please call your Regional Customer Service Center today to learn what Entegris can do for you. Visit www.entegris.com and select the Customer Service link for the center nearest you.

Terms and Conditions of Sale

All purchases are subject to Entegris' Terms and Conditions of Sale. To view and print this information, visit www.entegris.com and select the Legal Notices link from the footer.

Entegris®, the Entegris Rings Design® and Creating a Material Advantage® are registered trademarks of Entegris, Inc.

ENTEGRIS, INC.

Corporate Headquarters | 129 Concord Road | Billerica, MA 01821 USA
Customer Service Tel. +1 952 556 4181 | Customer Service Fax +1 952 556 8022
In North America 800 394 4083 | www.entegris.com