



FLUOROLINE™-S DISPOSABLE FILTERS

Disposable filters for small volume point-of-use filtration of nonflammable solvents, acids and bases

Overview

Cost-effective for Low-volume Filtration

Fluoroline™-S disposable filters are designed for the filtration of high-purity process fluids at very low flow rates. Constructed of PTFE membrane on PFA supports, Fluoroline-S disposable filters are compatible with a wide range of acids, bases and nonflammable solvents. Typical uses include the point-of-use filtration of spin on glass (SOG), anti-reflective coating (ARC), hexamethyldisilazane (HMDS), photoresist, developer and water. They are available in three retention ratings to provide the flexibility needed in these applications.

Disposable Design Offers the Safest and Cleanest Conditions

Fluoroline-S disposable filters are fully encapsulated in a compact and easy-to-handle housing shell. The disposable design limits the handling of hazardous chemicals during installation and disposal, thereby promoting a safer work environment.

Superior Manufacturing

- Manufactured in a world-class, ISO 9001 quality systems standard facility
- Manufactured, tested, and packaged in a cleanroom to ensure product cleanliness



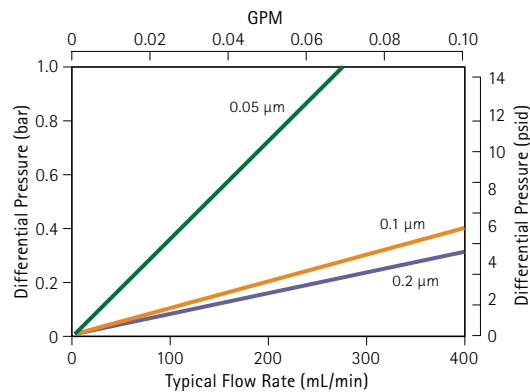
Features and Benefits

| Features | Benefits |
|--|---|
| Available in retention ratings of 0.05 µm, 0.1 µm and 0.2 µm | Provides excellent small particle retention to ensure minimal particles remain on wafer surface |
| Designed without o-rings | High-purity connections with no o-rings to avoid potential sources of contamination and ensure downstream cleanliness |
| Compact, disposable filter | Allows quick installation and minimizes downtime while limiting the handling of hazardous chemicals |
| Available with 1/4" and 1/8" compression seals (Swagelok® compatible fittings) | Simplified installation; allows convenient retrofit with existing system and easy filter changeout |

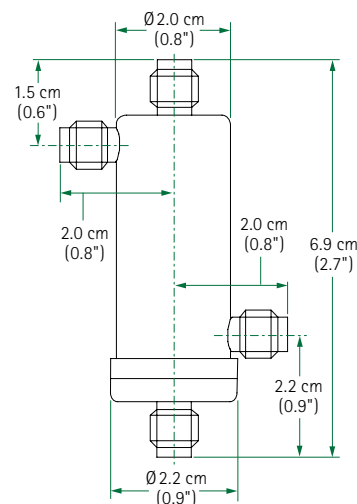
Specifications

| | | |
|-------------------------------|--|---|
| Materials: | Membrane | Hydrophobic polytetrafluoroethylene (PTFE) membrane made of Teflon® fluoropolymer resin |
| | Supports and molded parts | PFA |
| Dimensions: | Length: | 71.5 mm (2.82") |
| | Width | 35.58 mm (1.4") |
| Connections: | Compression seals (Swagelok compatible fittings) | 1/8" or 1/4" inlet/outlet 1/8" vent |
| | Filtration area | 12 cm ² (1.86 in ²) |
| Maximum operating conditions: | Maximum input pressure | 0.345 MPa (3.45 bar, 5 psi) @20°C (68°F) |
| | Maximum forward/reverse differential pressure | 0.345 MPa (3.45 bar, 50 psid) @20°C (68°F) |
| | Maximum operating temperature | 60°C (140°F) |

Performance Data



Dimensions



For More Information

Please call your Regional Customer Service Center today to learn what Entegris can do for you. Visit www.entegris.com and select the Customer Service link for the center nearest you.

Terms and Conditions of Sale

All purchases are subject to Entegris' Terms and Conditions of Sale. To view and print this information, visit www.entegris.com and select the Legal Notices link from the footer.

Ordering Information

| Part Number | | Description | Qty |
|-------------|-------------|------------------------------|------|
| 1/4" | 1/8" | | |
| PFFZ 01D 4S | PFFZ 01D 8S | Fluoroline-S filter, 0.05 µm | 3/pk |
| PFFV 01D 4S | PFFV 01D 8S | Fluoroline-S filter, 0.1 µm | 3/pk |
| PFFG 01D 4S | PFFG 01D 8S | Fluoroline-S filter, 0.2 µm | 3/pk |

Entegris®, the Entegris Rings Design® and Fluoroline™ are trademarks of Entegris, Inc. Swagelok® is a registered trademark of Swagelok Company. Teflon® is a registered trademark of E.I. du Pont de Nemours and Company.

ENTEGRIS, INC.

Corporate Headquarters | 129 Concord Road | Billerica, MA 01821 USA
Customer Service Tel. +1 952 556 4181 | Customer Service Fax +1 952 556 8022
In North America 800 394 4083 | www.entegris.com