

Galtek[®] Solenoid Valves, 1/4" Orifice, 2-way, Normally Closed

Powerful, compact coil design

For decades, Entegris has been providing reliable, proven solenoid valves for high-purity, highly corrosive applications. Our durable, long lasting 1/4" 2-way normally closed solenoid valves excel in hard to reach sampling, testing, and environmental monitoring operations.

APPLICATIONS

There are many areas our solenoid valves safely connect the CPI and Environmental industries:

Chemical Plant applications

- Pilot plants to safely transport feed stocks, process chemicals and byproducts during development trials
- Transport samples for process and effluent monitoring

Environmental Equipment applications

- Continuous emission monitoring of stack gasses for the EPA
- Groundwater monitoring
- Purifying equipment used in water treatment

FEATURES & BENEFITS

PFA or Kalrez[®] wetted parts	Offers high purity and corrosion resistance
Powerful, compact coil design	Provides long-lasting reliability
Wide range of voltages available	Adaptable to voltage requirements



Safe, reliable valves.

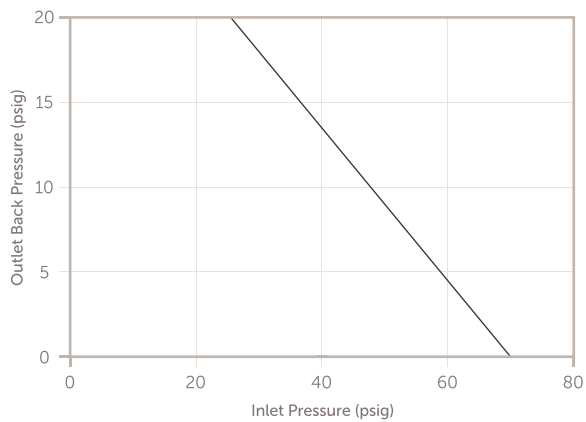
SPECIFICATIONS

Pressure range	27" Hg vacuum (913 mbar) to 70 psig (483 kPa) at 0 outlet pressure. Refer to performance data.
Temperature range	0° to 100°F (-18° to 37°C), ambient, (for continuous duty) 0° to 175°F (-18° to 79°C), fluid
Flow factor	0.74 C _v (10.6 K _v)
Cycle speed	0.2 seconds
Materials	All wetted parts are PFA, with a Kalrez® seal. Additional materials used for nonwetted parts include stainless steel.
Coil temperature	230°F (110°C) for continuous duty with ambient and fluid at 70°F (21°C).
Electrical specifications of solenoid operator	1% difference between inrush and holding current
Wire leads	Red: Voltage source, length 12" (305 mm) White: Neutral, length 12" (305 mm) Green: Ground, length 12" (305 mm)

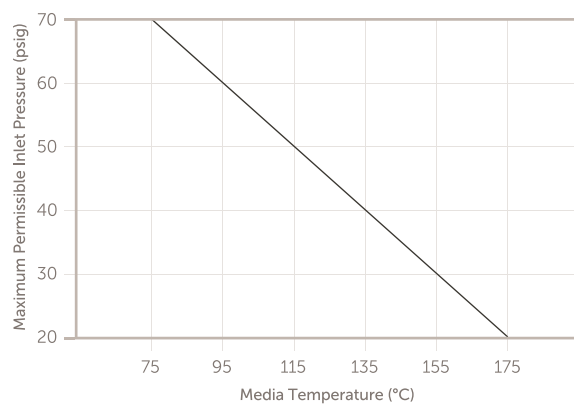
Voltages	Inrush/Holding Current, AMPS	Watts
12 VDC	1.00	12
24 VDC	0.50	12
100 VAC - 50/60 Hz	0.15	15
115 VAC - 50/60 Hz	0.13	15
230 VAC - 50/60 Hz	0.065	15

PERFORMANCE DATA

Outlet Pressure vs. Inlet Pressure

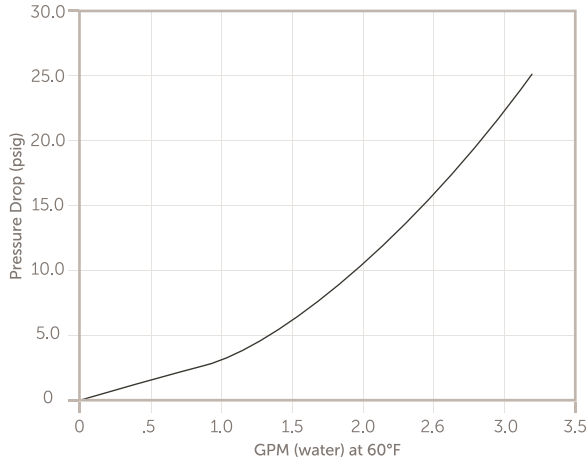


Maximum Inlet Pressure vs. Media Temperature

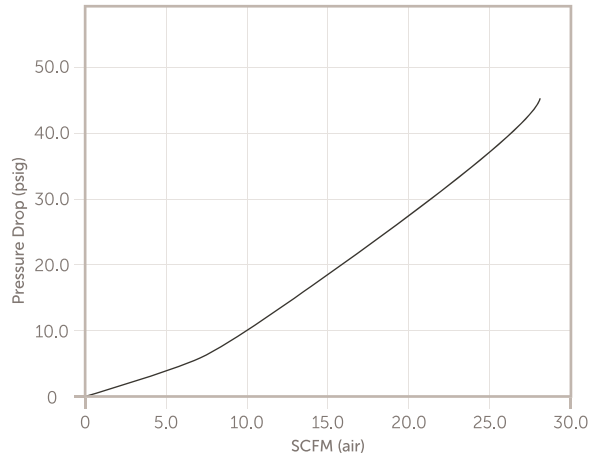


PERFORMANCE DATA

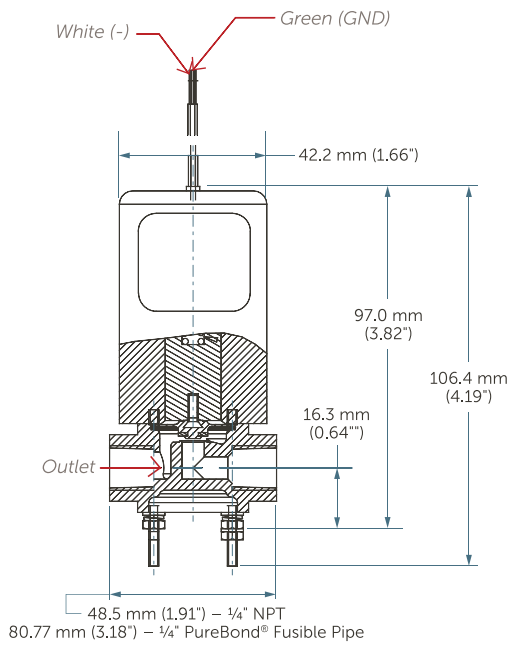
Pressure Drop vs. Water Flow



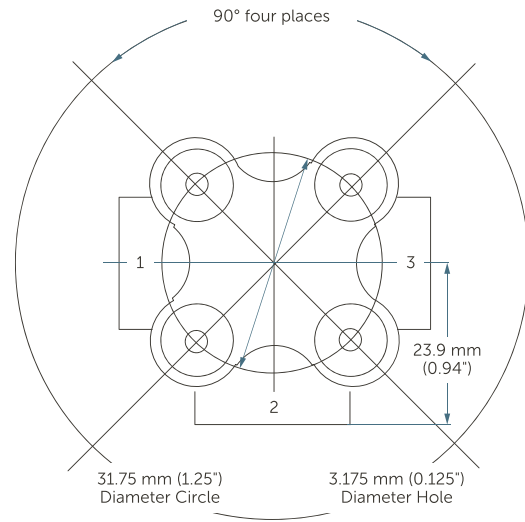
Pressure Drop vs. Air Flow



DIMENSIONS



Bottom View



Panel Mount Instructions

Valve may be mounted to a customer supplied bracket using the 4-40 screws that extend at the base of the valve. Maximum panel thickness is 0.25" (6.4 mm).

ORDERING INFORMATION

PART NUMBER	VOLTAGE	ELECTRICAL HOUSING
203-1414-115	12 VDC	Grommet

ORDERING INFORMATION

PART NUMBER	VOLTAGE	ELECTRICAL HOUSING
203-1414-125	12 VDC	1/2" NPT conduit
203-1414-215	24 VDC	Grommet
203-1414-225	24 VDC	1/2" NPT conduit
203-1414-315	100 VAC	Grommet
203-1414-325	100 VAC	1/2" NPT conduit
203-1414-415	115 VAC	Grommet
203-1414-425	115 VAC	1/2" NPT conduit
203-1414-515	230 VAC	Grommet
203-1414-525	230 VAC	1/2" NPT conduit

FOR MORE INFORMATION

Please call your Regional Customer Service Center today to learn what Entegris can do for you. Visit entegris.com and select the [Contact Us](#) link to find the customer service center nearest you.

TERMS AND CONDITIONS OF SALE

All purchases are subject to Entegris' Terms and Conditions of Sale. To view and print this information, visit entegris.com and select the [Terms & Conditions](#) link in the footer.



Corporate Headquarters
129 Concord
Billerica, MA 01821
USA

Customer Service
Tel +1 952 556 4181
Fax +1 952 556 8022
Toll Free 800 394 4083

Entegris®, the Entegris Rings Design®, and other product names are trademarks of Entegris, Inc. as listed on entegris.com/trademarks. All third-party product names, logos, and company names are trademarks or registered trademarks of their respective owners. Use of them does not imply any affiliation, sponsorship, or endorsement by the trademark owner.

©2022 Entegris, Inc. | All rights reserved. | Printed in the USA | 3210-12137DSA-0722