

# Galtek<sup>®</sup> Solenoid Valves, 1/4" Orifice, 2-way, Normally Open

*Powerful, compact coil design*

For decades, Entegris has been providing reliable, proven solenoid valves for high-purity, highly corrosive applications. Our durable, long lasting 1/4" 2-way normally open solenoid valves excel in hard to reach sampling, testing, and environmental monitoring operations.

## APPLICATIONS

There are many areas our solenoid valves safely connect the CPI and Environmental industries:

### Chemical Plant applications

- Pilot plants to safely transport feed stocks, process chemicals and byproducts during development trials
- Transport samples for process and effluent monitoring

### Environmental Equipment applications

- Continuous emission monitoring of stack gasses for the EPA
- Groundwater monitoring
- Purifying equipment used in water treatment

## FEATURES & BENEFITS

<b>PFA or Kalrez<sup>®</sup> wetted parts</b>	Offers high purity and corrosion resistance
<b>Powerful, compact coil design</b>	Provides long-lasting reliability
<b>Wide range of voltages available</b>	Adaptable to voltage requirements



*Safe, reliable valves.*

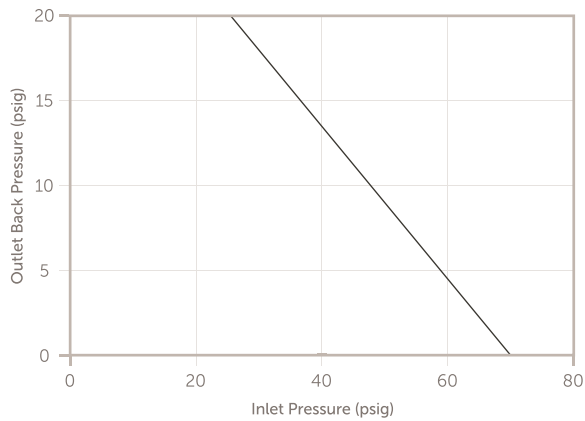
## SPECIFICATIONS

<b>Pressure range</b>	See performance charts.
<b>Temperature range</b>	0° to 100°F (-18° to 37°C), ambient 0° to 175°F (-18° to 79°C), fluid
<b>Flow factor</b>	0.74 C <sub>V</sub> (10.6 K <sub>V</sub> )
<b>Typical cycle speed</b>	0.2 seconds
<b>Materials</b>	All wetted parts are PFA, with a Kalrez® seal. Additional materials used for nonwetted parts include stainless steel.
<b>External coil temperature</b>	230°F (110°C) for continuous duty with ambient and fluid at 70°F (21°C).
<b>Electrical specifications of solenoid operator</b>	1% difference between inrush and holding current
<b>Wire leads</b>	Red: Voltage source, length 12" (305 mm) White: Neutral, length 12" (305 mm) Green: Ground, length 12" (305 mm)

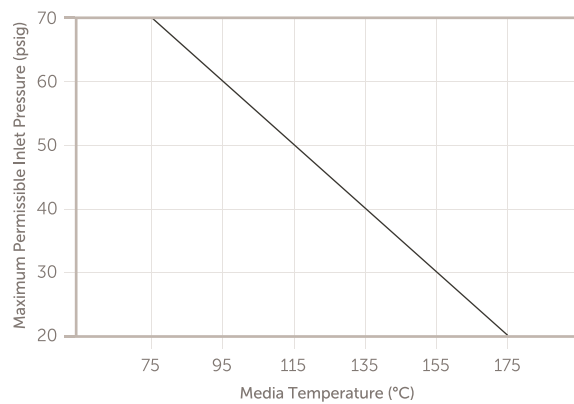
Voltages	Inrush/Holding Current, AMPS	Watts
12 VDC	1.00	12
24 VDC	0.50	12
115 VAC - 50/60 Hz	0.13	15

## PERFORMANCE DATA

Outlet Pressure vs. Inlet Pressure

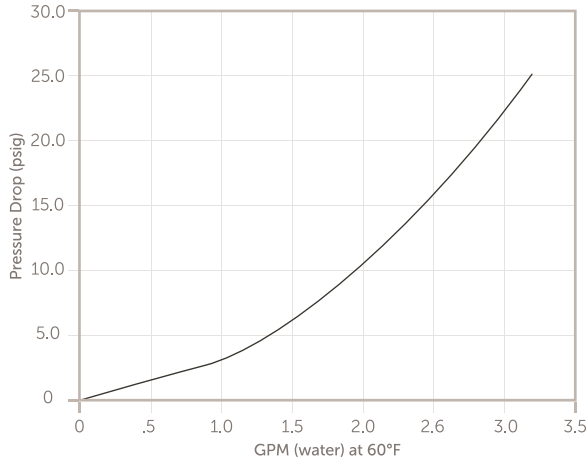


Maximum Inlet Pressure vs. Media Temperature

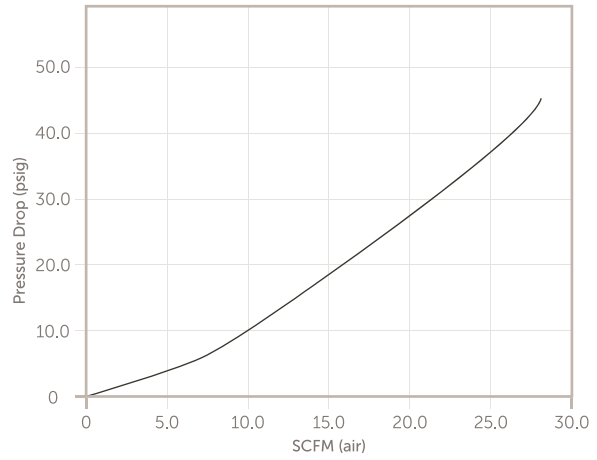


## PERFORMANCE DATA

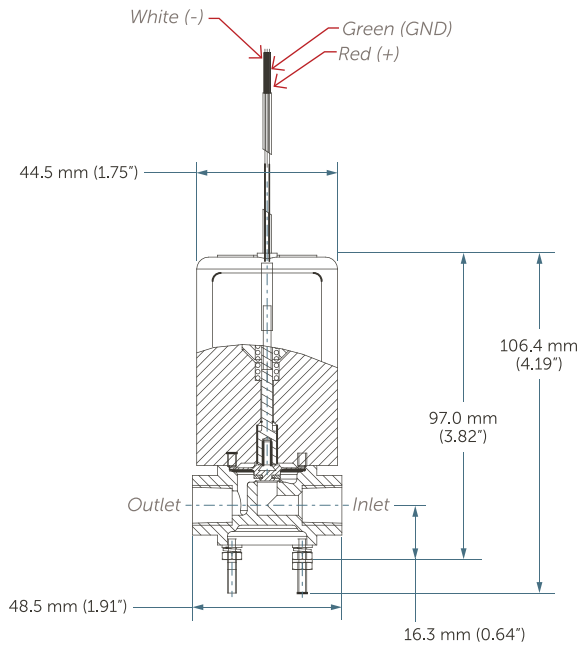
Pressure Drop vs. Water Flow



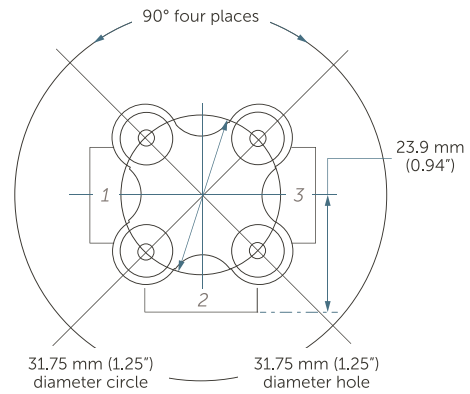
Pressure Drop vs. Air Flow



## DIMENSIONS



Bottom View



Part Number	Voltage	Port Connection
203-2414-113	12 VDC	1/4" FNPT
203-2414-213	24 VDC	1/4" FNPT
203-2414-413	115 VAC - 50/60 Hz	1/4" FNPT

### Panel Mount Instructions:

Valve may be mounted to a customer supplied bracket using the 4-40 screws that extend at the base of the valve. Maximum panel thickness is 0.25" (6.4 mm).

## ORDERING INFORMATION

---

PART NUMBER	VOLTAGE
203-2414-113	12 VDC
203-2414-213	24 VDC
203-2414-413	115 VAC- 50/60 HZ

### FOR MORE INFORMATION

Please call your Regional Customer Service Center today to learn what Entegris can do for you. Visit [entegris.com](https://www.entegris.com) and select the [Contact Us](#) link to find the customer service center nearest you.

### TERMS AND CONDITIONS OF SALE

All purchases are subject to Entegris' Terms and Conditions of Sale. To view and print this information, visit [entegris.com](https://www.entegris.com) and select the [Terms & Conditions](#) link in the footer.



Corporate Headquarters  
129 Concord  
Billerica, MA 01821  
USA

Customer Service  
Tel +1 952 556 4181  
Fax +1 952 556 8022  
Toll Free 800 394 4083

Entegris®, the Entegris Rings Design®, and other product names are trademarks of Entegris, Inc. as listed on [entegris.com/trademarks](https://www.entegris.com/trademarks). All third-party product names, logos, and company names are trademarks or registered trademarks of their respective owners. Use of them does not imply any affiliation, sponsorship, or endorsement by the trademark owner.

©2022 Entegris, Inc. | All rights reserved. | Printed in the USA | 3210-12375DSA-0722