



GATEKEEPER® 200M BULK GAS PURIFIER

High-flow gas purification



environmentally friendly, high-flow gas purification

Overview

Entegris' GateKeeper® 200M bulk gas purifiers are ideal for facility purification and as backup to the AGPS auto-regen system or other bulk purification systems. Available for Clean Dry Air (CDA) and inert gases, the 200M removes impurities such as H₂O, CO₂ and O₂ to sub ppb (parts-per-billion) levels at flow rates up to 20,000 SLM. Multiple purifiers can be manifolded together for higher flow rates, longer lifetime or redundancy.

Features and Benefits

Applications

- Bulk gas purification
- Gas generating plant backup
- Multi-tool purification
- Back up to bulk gas purification systems

Cost-effective

- Regenerable onsite for low cost of ownership
- Gas purification improves process consistency, increases product yields, and lengthens tool life
- Transforms low-purity gas into UHP grade, reducing process gas costs

Environmentally Friendly

- Regenerable – eliminates disposal issues

Process Protection

- Consistently delivers ultrapure gas
- Guards against impurity spikes from liquid storage tanks and inconsistent supply gas quality
- Does not release hydrocarbons that may contaminate the process
- Low pressure drop across purifier
- Backed by global service and support staff

Safe and Simple to Use

- Easy to install
- Uses ambient temperature purification technology – no power or heat required
- No moving parts

General Specifications

Materials of construction:	316L stainless steel, electropolished 10 Ra	
Gases purified:	SS200MI	N ₂ , He, Ne, Kr, Ar, halocarbons, light hydrocarbons
	SS200MZ	CDA (Clean Dry Air)
Outlet purity:	SS200MI	<1 ppb H ₂ , CO, CO ₂ ; <100 ppt (parts-per-trillion) H ₂ O, O ₂
	SS200MZ	<1 ppb H ₂ S, H ₂ O, CO ₂ , amines, acid gases, and alcohols; <100 ppt NO _x ; <10 ppt NH ₃ ; <1 ppt NMHC, siloxanes, SO ₂
Media:	SS200MI	Nickel metallic
	SS200MZ	Inorganic
Outlet particle filtration:	20 µm 316L stainless steel	
Maximum differential pressure:	1379 kPa (200 PSID)	
Minimum operating pressure:	101 kPa (14.7 PSIA)	
Leak rating:	4 x 10 ⁻⁹ atm-cc/sec.	
Maximum inlet challenge of contaminant to maintain product efficiency:	10 ppm (parts-per-million)	
Lifetime:	One year at nominal flow rate with 1 ppm inlet challenge of moisture	
Maximum operating temperature:	65°C (149°F)	

Operating Specifications

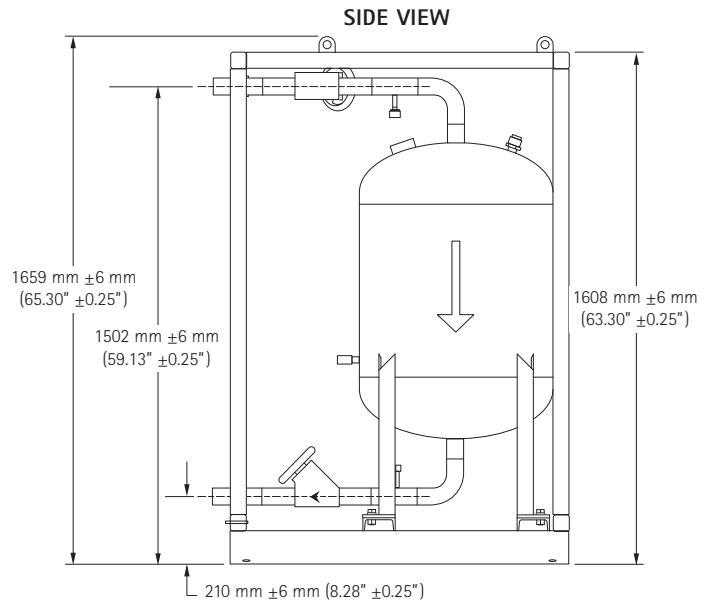
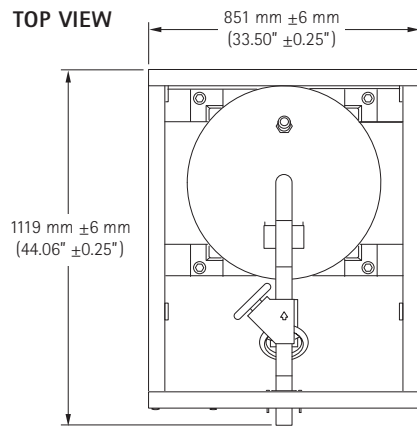
Model	Maximum Flow Rate (SLPM)	Nominal Flow Rate (SLPM)	Maximum Operating Pressure For Vessel	Pressure Drop ¹
200M	20000	3500	1379 kPa (200 PSIG)	27.6 kPa (4 PSID)

¹ Pressure drop at maximum flow rate and 90 PSIG (620 kPa) inlet pressure.

Facility Specifications

Model	Fitting Sizes	Configuration (inlet/outlet)	Approximate Weight	Height	Depth	Width
200M	2" tube stub	Floor mounted	454 kg (1000 lb)	165.9 cm (65.3")	111.8 cm (44.0")	85.9 cm (33.5")

Dimensions



Ordering Information

Part Number	Description
SS200MI	GateKeeper 200M bulk gas purifier for inert gases
SS200MZ	GateKeeper 200M bulk gas purifier for CDA (Clean Dry Air)

Contact Customer Service to learn about our regeneration service.



For More Information

Please call your Regional Customer Service Center today to learn what Entegris can do for you. Visit www.entegris.com and select "Regional Customer Service Centers" for the center nearest you.

Terms and Conditions of Sale

All purchases are subject to Entegris' "Terms and Conditions of Sale." To view and print this information, visit Entegris' website at www.entegris.com and select the Legal Notices link from the footer found on the home page.

Entegris® and GateKeeper® are registered trademarks of Entegris, Inc.

ENTEGRIS, INC.

Corporate Headquarters / 3500 Lyman Boulevard / Chaska, Minnesota 55318 USA
 Customer Service Tel. 952-556-4181 / Customer Service Fax 952-556-8022
www.entegris.com