

# GateKeeper® GPU FX Media Gas Purifiers

*Superior purity control*

Entegris' GateKeeper® GPU gas purifiers were designed to improve purity consistency, lifetime, and final purity in microelectronics applications where high-purity gas is critical. Leveraging our expertise in material science, we have developed a new generation of FX gas purification products that deliver unsurpassed value and performance.



## APPLICATIONS

- Semiconductor
- LED
- Data storage
- Solar
- Flat panel display

## FEATURES & BENEFITS

<b>Process control and protection</b>	Purity control below part-per-billion (ppb) levels Low pressure drop through the purifier CE certified to the Pressure Equipment Directive (PED) Manufactured in an ISO® 9001:2015 facility
<b>Cost effective</b>	Long lifetime — improves cost of ownership
<b>Safe and simple to use</b>	Uses ambient temperature purification — no heat or power required to operate Insensitive to orientation (horizontal/vertical)

## GENERAL SPECIFICATIONS

<b>Gases purified</b>	HF	
<b>Impurities removed</b>	<b>CONTAMINANTS</b>	<b>OUTLET PURITY</b>
	H <sub>2</sub> O	<1 ppbV
<b>Outlet particle filter</b>	Wafergard® — Nickel or stainless steel membrane, 20 µm or 0.003 µm	
<b>Lifetime</b>	One year with 1 ppm inlet challenge of moisture with flow rates shown on the next page.  The lifetime varies with the inlet impurities and flow rate. Contact Entegris for application specific lifetime calculations.	
<b>Regenerable</b>	No	
<b>Dangerous goods (DG)</b>	No	
<b>Operating temperature</b>	0° – 65°C (32° – 149°F)	
<b>Leak rating</b>	1 × 10 <sup>-9</sup> atm cc/sec of He	
<b>Materials of construction</b>	Housing: 316L stainless steel	
<b>Certification</b>	CE certified to the Pressure Equipment Directive (PED)  Designed in accordance with ASME®	

## OPERATING SPECIFICATIONS

Model	Maximum flow rate	Lifetime is 1 year at this flow rate, with 1 ppm moisture	Maximum operating pressure – purifier only	Maximum operating pressure – purifier with options	Pressure drop, with 0.003 $\mu\text{m}$ particle filter*
GPU 35	1 slpm	0.6 slpm	1,400 psig	250 psig	0.3 psid
GPU 70	5 slpm	0.9 slpm	1,400 psig	250 psig	0.5 psid
GPU 80	10 slpm	1.1 slpm	1,400 psig	250 psig	1.0 psid
GPU 200	20 slpm	2.6 slpm	800 psig	250 psig	0.7 psid
GPU 300	50 slpm	4.0 slpm	800 psig	250 psig	1.3 psid
GPU 500	75 slpm	8.0 slpm	600 psig	250 psig	1.3 psid
GPU 700	120 slpm	11.0 slpm	600 psig	250 psig	1.8 psid
GPU 2500 4R	300 slpm	40.0 slpm	505 psig	250 psig	5.0 psid
GPU 2500 8R	500 slpm	40.0 slpm	505 psig	250 psig	5.6 psid

\*Purifier only at maximum flow rating with 90 psig inlet pressure

## FACILITY SPECIFICATIONS

---

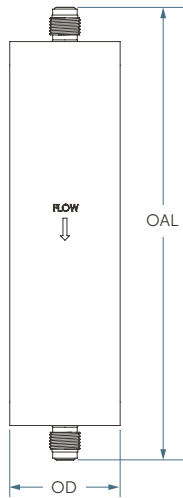
<b>GPU model</b>	<b>Connection size (VCR)</b>	<b>Inlet/outlet connection type (VCR)</b>	<b>Outside Diameter (OD)</b>	<b>Overall length (OAL)</b>	<b>Approximate weight</b>
GPU 35	¼"	Male/male	38.1 mm (1.5")	84 mm (3.3")	0.3 kg (0.7 lbs)
GPU 70	¼"	Male/male	38.1 mm (1.5")	114 mm (4.5")	0.3 kg (0.7 lbs)
GPU 80	¼"	Male/male	38.1 mm (1.5")	127 mm (5.0")	0.3 kg (0.7 lbs)
GPU 200	¼"	Male/male	50.8 mm (2.0")	157 mm (6.2")	0.9 kg (2.0 lbs)
GPU 300	¼"	Male/male	50.8 mm (2.0")	208 mm (8.2")	1.1 kg (2.5 lbs)
GPU 500	¼"	Male/male	76.2 mm (3.0")	201 mm (7.9")	1.8 kg (4.0 lbs)
GPU 700	¼"	Male/male	76.2 mm (3.0")	254 mm (10.0")	2.5 kg (5.5 lbs)
GPU 2500 4R	¼"	Male/male	101.6 mm (4.0")	439 mm (17.3")	6.8 kg (15 lbs)
GPU 2500 8R	½"	Male/male	101.6 mm (4.0")	445 mm (17.5")	6.8 kg (15 lbs)

## FACILITY SPECIFICATIONS, PURIFIERS WITH ISOLATION VALVES

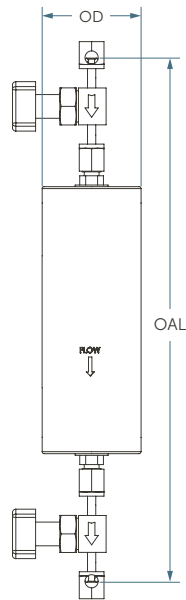
GPU model	Connection size (VCR)	Inlet/outlet connection type (VCR)	Outside Diameter (OD)	Overall length (OAL) with valves	Approximate weight with valves
GPU 35	¼"	Female/female	38.1 mm (1.5")	234 mm (9.2")	1.2 kg (2.6 lbs)
GPU 70	¼"	Female/female	38.1 mm (1.5")	264 mm (10.4")	1.3 kg (2.9 lbs)
GPU 80	¼"	Female/female	38.1 mm (1.5")	277 mm (10.9")	1.3 kg (2.9 lbs)
GPU 200	¼"	Female/female	50.8 mm (2.0")	307 mm (12.1")	1.7 kg (3.7 lbs)
GPU 300	¼"	Female/female	50.8 mm (2.0")	358 mm (14.1")	1.8 kg (3.8 lbs)
GPU 300 (GC 300)	¼"	Female/male	83.8 mm (3.3")	401.3 mm (15.8")	2.3 kg (5.1 lbs)
GPU 500	¼"	Female/female	76.2 mm (3.0")	351 mm (13.8")	2.7 kg (6.0 lbs)
GPU 700	¼"	Female/female	76.2 mm (3.0")	404 mm (15.9")	4.4 kg (9.6 lbs)
GPU 2500 4R	¼"	Female/female	101.6 mm (4.0")	592 mm (23.3")	6.8 kg (15 lbs)
GPU 2500 8R	½"	Female/female	101.6 mm (4.0")	714 mm (28.1")	8.0 kg (17.7 lbs)

## DIMENSIONS

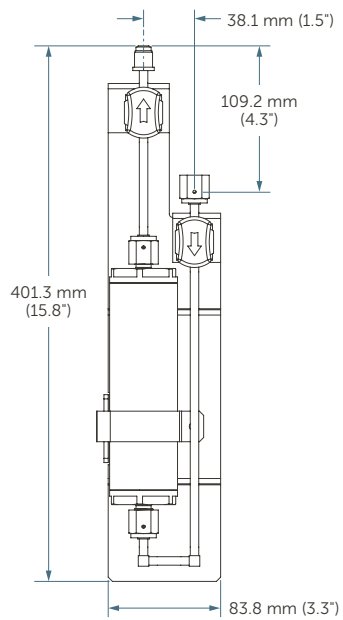
Purifier Only



Purifier with Isolation Valves

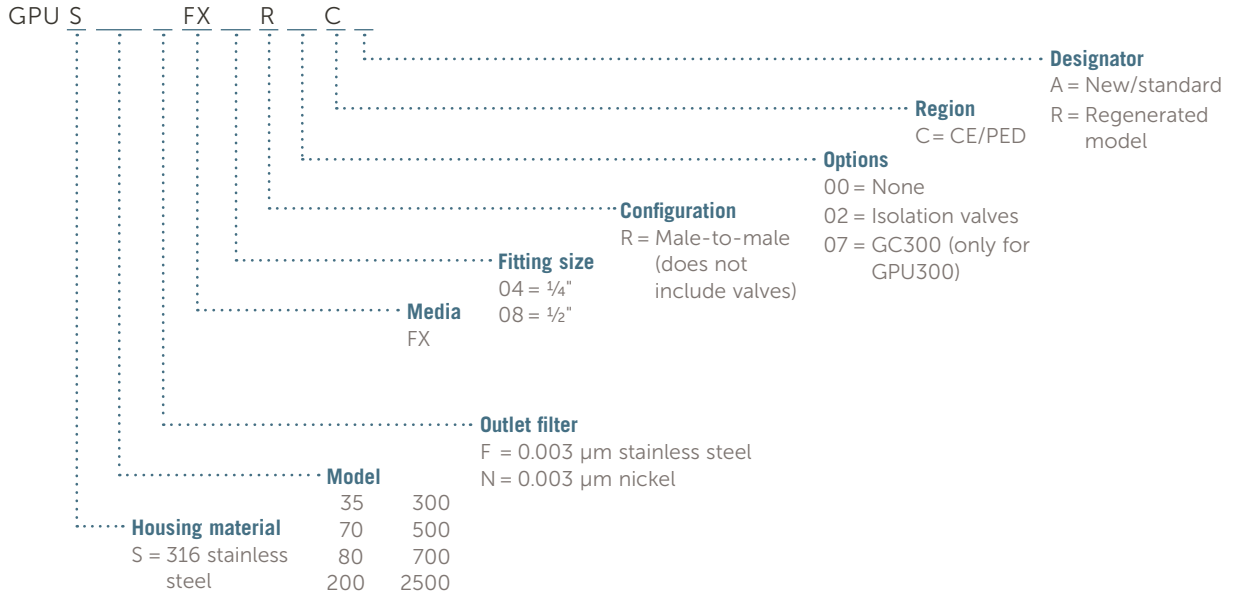


GPU 300 with GC 300 Manifold



## ORDERING INFORMATION

GateKeeper GPU FX Media Gas Purifiers: part number



## ADDITIONAL OPTIONS

**BYPASS ASSEMBLIES:** This assembly contains additional valves and piping so the process gas can bypass around the purifier. Entegris offers 3 and 5 valve bypass assemblies for many of our standard GPU Gas Purifiers (sold separately).

## FOR MORE INFORMATION

Please call your Regional Customer Service Center today to learn what Entegris can do for you. Visit [entegris.com](http://entegris.com) and select the [Contact Us](#) link to find the customer service center nearest you.

## TERMS AND CONDITIONS OF SALE

All purchases are subject to Entegris' Terms and Conditions of Sale. To view and print this information, visit [entegris.com](http://entegris.com) and select the [Terms & Conditions](#) link in the footer.



Corporate Headquarters  
129 Concord Road  
Billerica, MA 01821  
USA

Customer Service  
Tel +1 952 556 4181  
Fax +1 952 556 8022  
Toll Free 800 394 4083

Entegris®, the Entegris Rings Design®, and other product names are trademarks of Entegris, Inc. as listed on [entegris.com/trademarks](http://entegris.com/trademarks). All third-party product names, logos, and company names are trademarks or registered trademarks of their respective owners. Use of them does not imply any affiliation, sponsorship, or endorsement by the trademark owner.

©2020 Entegris, Inc. | All rights reserved. | Printed in the USA | 4521-10974TAN-0920