

Guardian™ ECD UC Liquid Filters

Advanced, ultraclean, hydrophilic filtration for critical dilute cleaning applications

Guardian™ ECD Ultra Clean (UC) liquid filters enable advanced filtration for low-temperature acids and bases in wet etch and clean processes at sub 20 nm technology nodes. Utilizing both sieving and nonsieving capabilities at a 5 nm retention rating, the advanced membrane technology maintains consistently high flow rates and ultraclean performance for low metals, chlorides and particle cleanliness. The hydrophilic membrane prevents sudden flow loss caused by membrane dewetting and eliminates the need for prewetting.



APPLICATIONS

- Weak, acid-based process chemicals such as BOE and DHF
- Weak, basic process chemicals such as NH_4OH and TMAH
- DI water
- Bulk and point of use
- Low-temperature processes ($<70^\circ\text{C}$)

FEATURES & BENEFITS

5 nm retention rating	<p>Provides advanced filtration for low temperature, critical, dilute, aqueous and low-high pH cleaning applications at sub-2x nm technology nodes:</p> <ul style="list-style-type: none"> • Improves single-pass retention efficiency • Reduces on-wafer defects • Enables higher yield
Advanced membrane technology	<p>Sieving and nonsieving retention mechanisms</p> <p>Asymmetric membrane ensures tighter particle retention while maintaining high flow rates</p> <p>Hydrophilic membrane — no prewetting or flushing required:</p> <ul style="list-style-type: none"> • Increases process uptime • Prevents risk of chemical interactions • Minimizes risk of dewetting (and loss of flow)
Ultraclean filtration	<p>Low metals, low chlorides and improved particle cleanliness</p> <p>Innovative cleaning process enabling:</p> <ul style="list-style-type: none"> • Less contamination • Faster system flush up • Extended tool uptime • Higher yield
Available in different formats	<p>M-pleat membrane area enables increased flow rates for critical applications</p> <p>Cartridges support various filter sizes</p> <p>Disposables require minimal handling which reduces the risk of contamination and chemical exposure</p>

SPECIFICATIONS

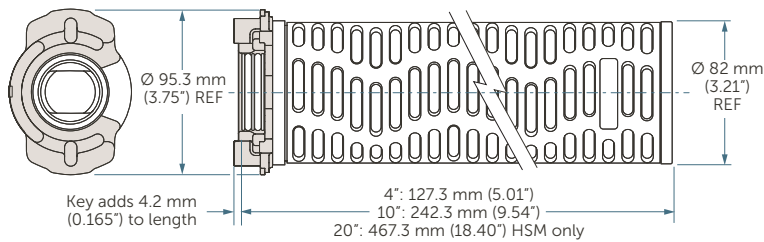
HSM Type

Materials	Membrane	Hydrophilic polysulfone (PS)
	Supports, sleeve, core, end caps	Nonwoven high-density polyethylene (HDPE)
	Code 0 double 2-222 o-rings	Encapsulated fluoropolymer (E-FKM) or Kalrez® 6375
	Chem-Line™ II disposable outer shell	Polypropylene and PFA
	Chem-Line I disposable outer shell	PFA
Retention rating	5 nm	
Membrane surface area	4": 0.6 m ² (6.46 ft ²)	
	10": 1.2 m ² (12.92 ft ²)	
	20": 2.4 m ² (25.83 ft ²)	
Maximum operating conditions	Maximum forward differential pressure: 0.34 MPa (3.4 bar; 50 psid) @ 25°C (77°F)	
	Maximum reverse pressure: 0.21 MPa (2.1 bar; 30 psi) @ 25°C (77°F)	
	Maximum operating temperature: 70°C (158°F) @ 23 psi	

Guardian ECD UC Cartridge Filters

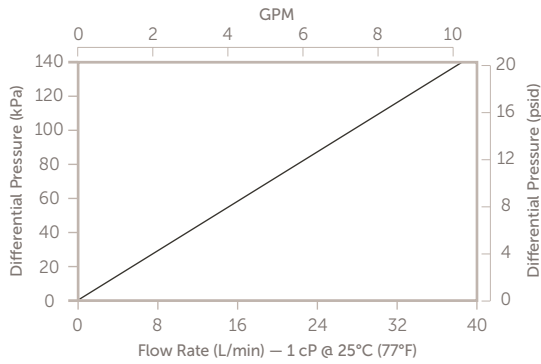
DIMENSIONS

Guardian ECD UC HSM Cartridge Filters

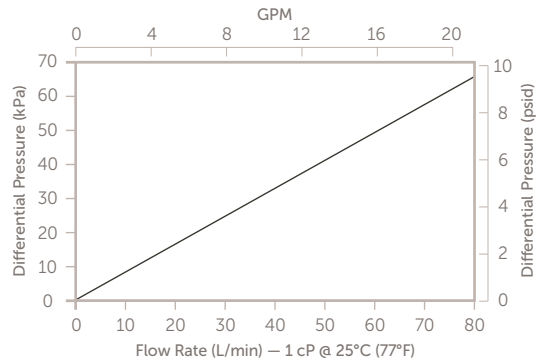


PERFORMANCE DATA

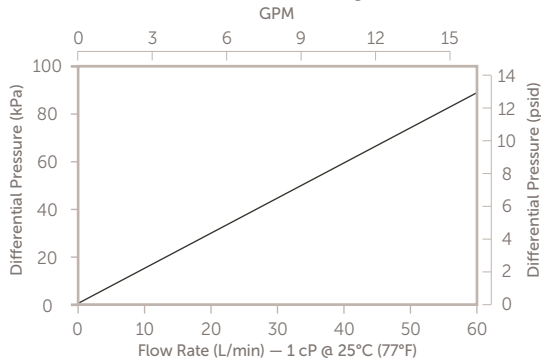
Guardian ECD UC 5 nm 4" Cartridges



Guardian ECD UC 5 nm 20" Cartridges



Guardian ECD UC 5 nm 10" Cartridges

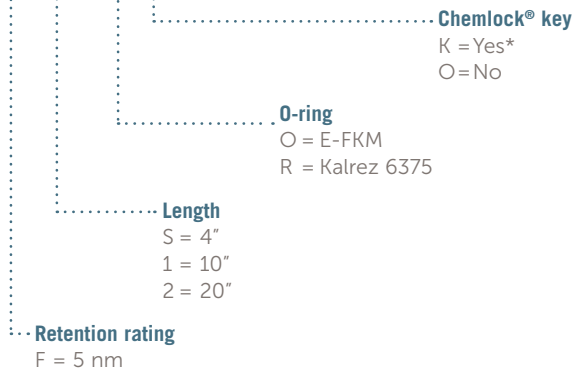


ORDERING INFORMATION

This information serves as a guide. Please contact your local representative to confirm part numbers.

Guardian ECD UC HSM Cartridge Filters: part number

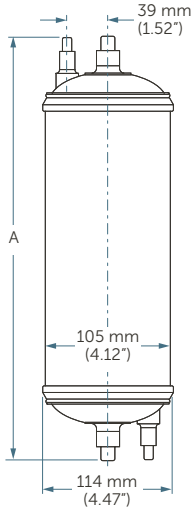
ECCFM CO D



Guardian ECD UC Chem-Line Disposable Filters

DIMENSIONS

Chem-Line II (PP) Disposable Filters



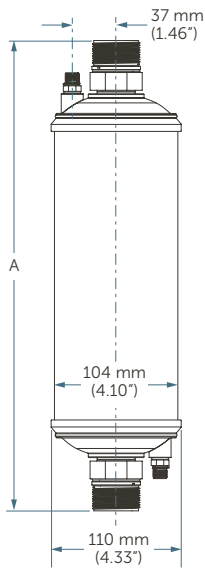
DIMENSION A

Inlet/outlet size	4" disposable filter with Flaretek® fittings	10" disposable filter with Flaretek fittings
3/8"	237 mm (9.32")	350 mm (13.77")
1/2"	247 mm (9.72")	360 mm (14.17")
3/4"	247 mm (9.72")	360 mm (14.17")
1"	257 mm (10.12")	370 mm (14.57")

Vent/drain all versions: 1/4"

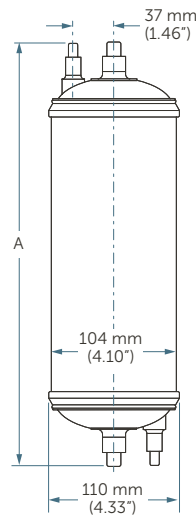
Chem-Line II (PFA) Disposable Filters

Super 300 Type Pillar® Fittings



Chem-Line II (PFA) Disposable Filters

Flaretek Fittings



DIMENSION A

Inlet/outlet size	10" filter
1/2"	355 mm (13.96")
3/4"	364 mm (14.31")
1"	397 mm (16.62")

Vent/drain all versions: 1/4"

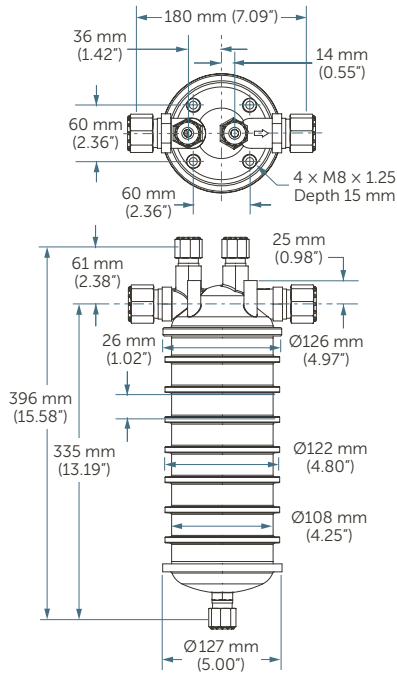
DIMENSION A

Inlet/outlet size	10" filter
1/2"	370 mm (14.58")
3/4"	373 mm (14.68")
1"	382 mm (15.02")

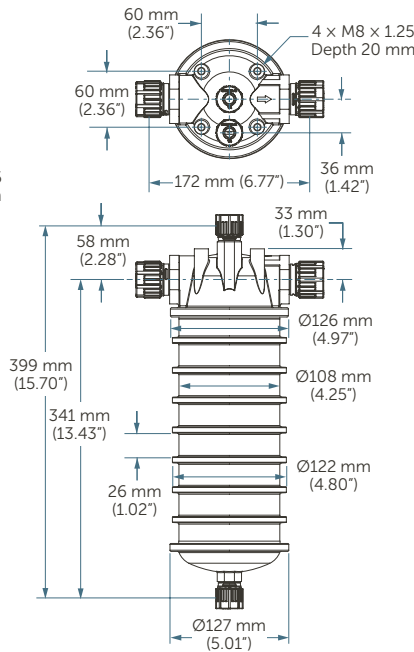
Vent/drain all versions: 1/4"

Chem-Line I (PFA) Disposable Filters

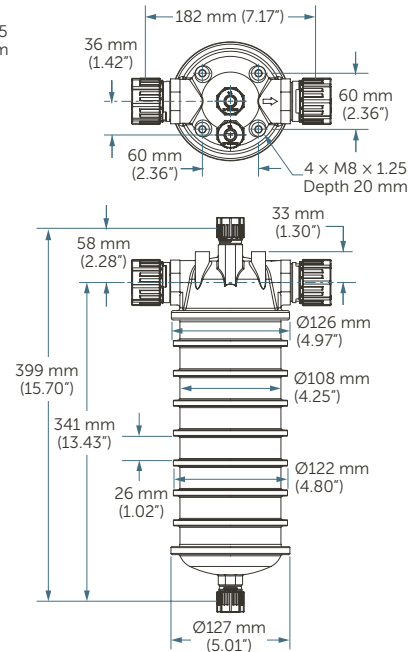
T02H: T-line 3/4" Super Type Pillar Fittings



902S: T-line 3/4" Super 300 Type Pillar Fittings

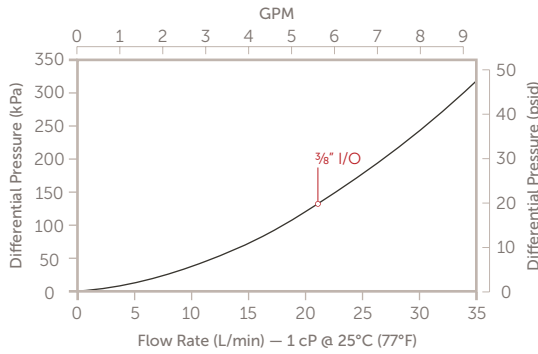


942S: T-line 1" Super 300 Type Pillar Fittings

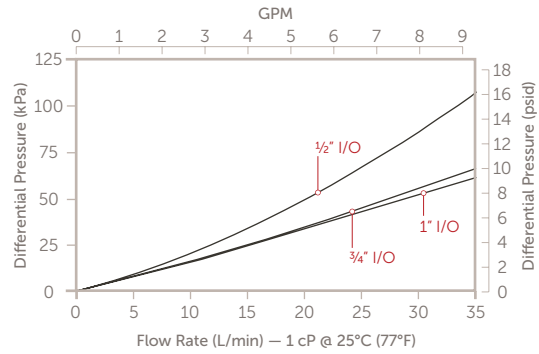


PERFORMANCE DATA

Guardian ECD 5 nm 10" Disposable Filter



Guardian ECD 5 nm 10" Disposable Filters

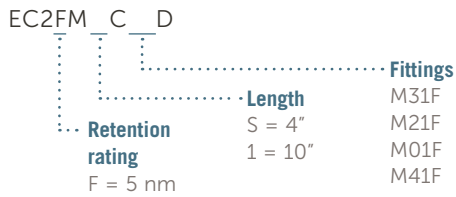


ORDERING INFORMATION

This information serves as a guide. Please contact your local representative to confirm part numbers.

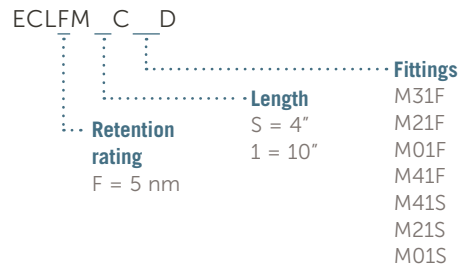
Guardian ECD UC Chem-Line II (PP)

Disposable Filters: part number



Guardian ECD UC Chem-Line II (PFA)

Disposable Filters: part number

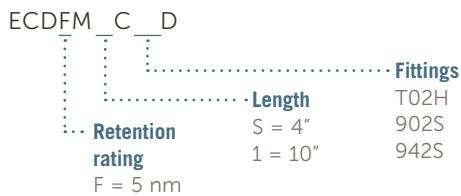


Fitting key:

Key	Configuration	Inlet/outlet	Vent/drain	Fitting
M01F	In-line	3/4"	1/4"	Flaretek
M21F	In-line	1/2"	1/4"	Flaretek
M31F	In-line	3/8"	1/4"	Flaretek
M41F	In-line	1"	1/4"	Flaretek
M01S	In-line	3/4"	1/4"	Super 300 Type Pillar
M21S	In-line	1/2"	1/4"	Super 300 Type Pillar
M41S	In-line	1"	1/4"	Super 300 Type Pillar

Guardian ECD UC Chem-Line I (PFA)

Disposable Filters: part number



Fitting key:

Key	Configuration	Inlet/outlet	Vent/drain	Fitting
T02H	T-Line	3/4"	1/2"	Super Type Pillar
902S	T-Line	3/4"	1/2"	Super 300 Type Pillar
942S	T-Line	1"	1/2"	Super 300 Type Pillar

FOR MORE INFORMATION

Please call your Regional Customer Service Center today to learn what Entegris can do for you. Visit entegris.com and select the [Contact Us](#) link to find the customer service center nearest you.

TERMS AND CONDITIONS OF SALE

All purchases are subject to Entegris' Terms and Conditions of Sale. To view and print this information, visit entegris.com and select the [Terms & Conditions](#) link in the footer.



Corporate Headquarters
129 Concord Road
Billerica, MA 01821
USA

Customer Service
Tel +1 952 556 4181
Fax +1 952 556 8022
Toll Free 800 394 4083

Entegris®, the Entegris Rings Design®, and other product names are trademarks of Entegris, Inc. as listed on entegris.com/trademarks. All third-party product names, logos, and company names are trademarks or registered trademarks of their respective owners. Use of them does not imply any affiliation, sponsorship, or endorsement by the trademark owner.

©2014-2018 Entegris, Inc. | All rights reserved. | Printed in the USA | 4420-7725ENT-1018