

Impact[®] 2 Filter Manifold (8G, 2-V2)

Enables rapid filter changeouts without tools or chemical leakage

We offer this transitional photochemical flow-through device for use with Impact[®] point-of-use (POU) filters, including Impact 8G and Impact 2 V2 POU photochemical filters. The innovative design uses our proven Connectology[®] technology to quickly and securely connect and seal the filter to the manifold. This technology enables rapid filter changeouts without tools, and without leakage. Reinforced metal parts improve durability, extending life in applications requiring multiple filter changeouts.

APPLICATIONS

- Semiconductor point-of-use photolithography applications
- Chemistries including photoresist, photochemicals, solvents

FEATURES & BENEFITS

Uses proven Connectology technology	Allows user to quickly connect and securely seal the filter, enabling rapid filter changeouts without tools
Reinforced metal parts	Improve durability, extending life in applications requiring multiple filter changeouts
Filter compatibility	Designed for use with Impact 8G and Impact 2 V2 filters



For use with Impact point-of-use liquid filters

SPECIFICATIONS

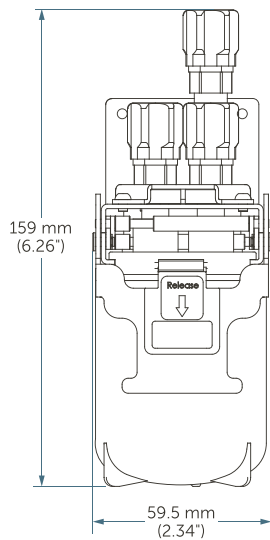
Materials	Wetted surfaces	PFA
	Nonwetted surfaces	Stainless steel
	Release tab	POM
Maximum operating conditions	Maximum inlet pressure	0.39 MPa (3.9 bar, 56 psi) @ 25°C (77°F)
	Maximum operating temperature	40°C (104°F)

Note: The Impact 2 filter manifold is designed and tested to be used with Entegris filters and flushing shell only. The warranty will be voided if it is used with non-Entegris products.

DIMENSIONS

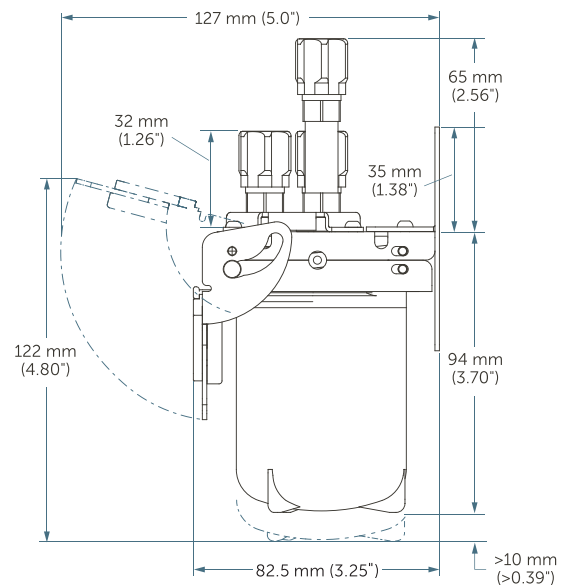
Impact 2 V2 Filter with Impact 2 Manifold

Front View



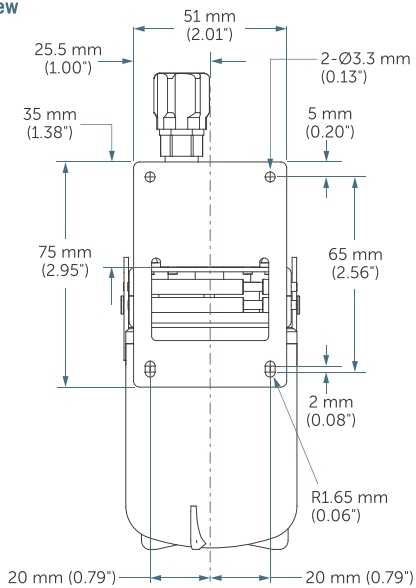
Impact 2 V2 Filter with Impact 2 Manifold

Side View



Impact 2 V2 Filter with Impact 2 Manifold

Back View



ORDERING INFORMATION

PART NUMBER	FITTING TYPE	INLET/OUTLET FITTING SIZE	VENT SIZE
A2MP2220T	Super Type Pillar®	1/4"	1/4"
A2MX1140TXW	Flowell® 60	1/8"	4 mm
A2MX2210TX	Flowell® 60	1/4"	1/8"
A2MX2220T	Flowell® 60	1/4"	1/4"
A2MX2240T	Flowell® 60	1/4"	4 mm
A2MX4440TW	Flowell® 60	4 mm	4 mm
A2MZ1140TW	Flowell® 80	1/8"	4 mm
A2MZ2220T	Flowell® 80	1/4"	1/4"
A2MZ2240T	Flowell® 80	1/4"	4 mm
A2MZ4440TW	Flowell® 80	4 mm	4 mm

FOR MORE INFORMATION

Please call your Regional Customer Service Center today to learn what Entegris can do for you. Visit [entegris.com](https://www.entegris.com) and select the [Contact Us](#) link to find the customer service center nearest you.

TERMS AND CONDITIONS OF SALE

All purchases are subject to Entegris' Terms and Conditions of Sale. To view and print this information, visit [entegris.com](https://www.entegris.com) and select the [Terms & Conditions](#) link in the footer.



Corporate Headquarters
129 Concord
Billerica, MA 01821
USA

Customer Service
Tel +1 952 556 4181
Fax +1 952 556 8022
Toll Free 800 394 4083

Entegris®, the Entegris Rings Design®, and other product names are trademarks of Entegris, Inc. as listed on [entegris.com/trademarks](https://www.entegris.com/trademarks). All third-party product names, logos, and company names are trademarks or registered trademarks of their respective owners. Use of them does not imply any affiliation, sponsorship, or endorsement by the trademark owner.

©2022 Entegris, Inc. | All rights reserved. | Printed in the USA | 4449-12565DSA-0922