

Impact[®] HV High-Viscosity Filters

Point-of-use filtration of high-viscosity fluids

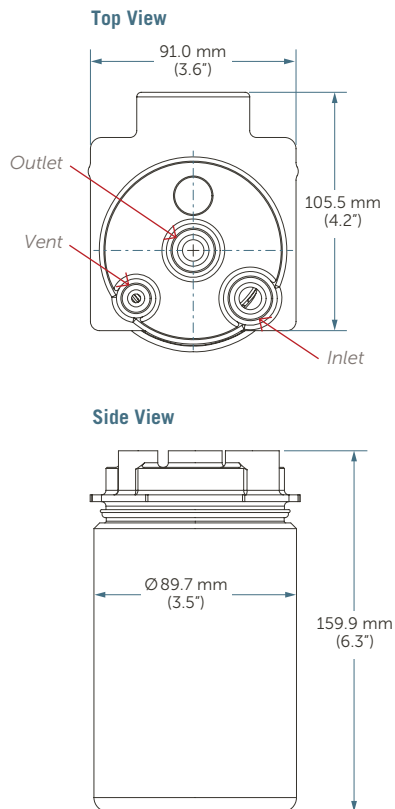
Impact[®] HV disposable filters provide compact, point-of-use filtration of high-viscosity chemicals and polyimide process fluids. Impact HV incorporates a rugged UPE and PTFE membrane to reduce contamination, enable consistent particle and microbubble retention, and ensure low metal and organic extractables. When used with Optimizer[®] ST2 manifold and IntelliGen[®] HV two-stage dispense system, filter changeouts are more rapid, and without the need for tools or draining, installations and retrofits are also quicker and more cost effective.



FEATURES & BENEFITS

Rugged filter design	Optimized for high-viscosity applications while maintaining a low pressure drop across the filter
UPE membrane	Eliminates prewetting and flushing which saves time and provides more consistent filtration
Disposable format	Can be used on the IntelliGen HV two-stage dispense system or as a standalone unit

DIMENSIONS



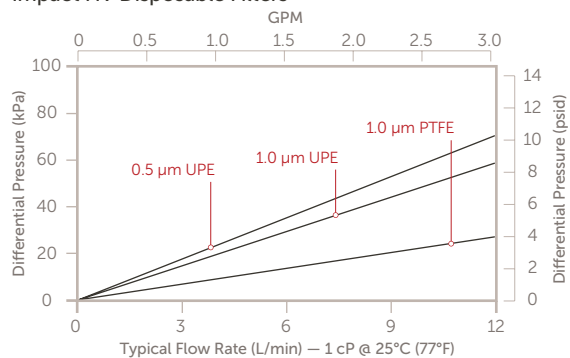
SPECIFICATIONS

Materials	Membrane	UPE, PTFE
	Surface area	3400 cm ² (3.66 ft ²)
	Supports, core, sleeve	HDPE
	Shell	HDPE
	O-ring	Kalrez® perfluoroelastomer
Retention rating	UPE: 0.5, 1.0 µm PTFE: 1.0 µm	
Maximum operating conditions	Maximum inlet pressure: 0.34 MPa (3.4 bar, 50 psi) @ 25°C (77°F) Maximum forward/reverse differential pressure: 0.27 MPa (2.7 bar, 39 psi) @ 25°C (77°F) Maximum operating temperature: 40°C (104°F)	
Available manifold connections	Dispense system: IntelliGen HV two-stage dispense system Standalone (Optimizer ST2 manifold*): Inlet/outlet: <ul style="list-style-type: none"> • ¼", ⅜" and ½" Flowell™ 60 • ¼", ⅜", ½", 6 mm and 8 mm tube stubs Vent/drain: <ul style="list-style-type: none"> • ¼" Flowell 60 • ¼" and 4 mm tube stubs 	

*OF and OM configurations available.

PERFORMANCE DATA

Impact HV Disposable Filters



ORDERING INFORMATION

Impact HV Filters

Part number	Description
ATAA0LKM1	Impact HV PTFE 1.0 µm OF Kalrez o-ring
AWAA0LKM1	Impact HV 1.0 µm OF Kalrez o-ring
AWAH0LKM1	Impact HV 0.5 µm OF Kalrez o-ring

Optimizer ST2 Manifold No O-ring (easy change) O-ring Types

Part number	TUBE TYPE SIZE	
	Inlet/outlet	Vent
AMVT88401	8 mm	4 mm

Optimizer ST2 Manifold

Part number	O-ring material	TUBE TYPE (STANDARD) SIZE	
		Inlet/outlet	Vent
AMVT884E1	EPDM	8 mm	4 mm
AMVT884K1	Kalrez	8 mm	4 mm

FOR MORE INFORMATION

Please call your Regional Customer Service Center today to learn what Entegris can do for you. Visit entegris.com and select the Contact Us link to find the customer service center nearest you.

TERMS AND CONDITIONS OF SALE

All purchases are subject to Entegris' Terms and Conditions of Sale. To view and print this information, visit entegris.com and select the Terms & Conditions link in the footer.



Corporate Headquarters
129 Concord Road
Billerica, MA 01821
USA

Customer Service
Tel +1 952 556 4181
Fax +1 952 556 8022
Toll Free 800 394 4083

Entegris®, the Entegris Rings Design™, Pure Advantage™, Impact®, IntelliGen® and Optimizer® are trademarks of Entegris, Inc.

Flowell™ is a trademark of Flowell Corporation.

Kalrez® is a trademark of E. I. du Pont de Nemours and Company.

©2012-2017 Entegris, Inc. | All rights reserved. | Printed in the USA | 4414-7204ENT-0117