

# Integra® Pneumatic Valves, 1" Orifice, Sampling, Normally Closed

*Ideal for high-flow bulk chemical distribution applications*

Designed for applications where greater flow is required, the molded 1" orifice Integra® valve is ideal for valve boxes and bulk chemical distribution applications. The vacuum rated Integra valve can be installed in the upstream side of pressure vacuum vessels and pumps.

The valve maintains a high flow rate while reducing the footprint in manufacturer's equipment. This Integra valve illustrates our ability to address customer space constraints while still providing superior performance.

## APPLICATIONS

Our 1" orifice valves are ideal in applications where greater flow is required, including:

- CMP slurry, ultrapure water and high-purity, corrosive chemical handling
- Valve boxes and high flow bulk chemical distribution applications
- Upstream or downstream side of pressure vacuum vessels and pumps
- Chemical line sizes in 3/4" to 1"



*Ideal for valve boxes and bulk chemical distribution applications.*

## FEATURES & BENEFITS

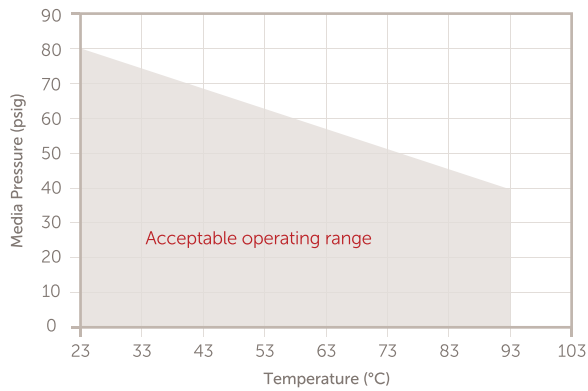
<b>All PFA and PTFE wetted parts</b>	Provide chemical resistance in high purity, corrosive chemical applications
<b>PVDF actuator components and no external wetted parts</b>	Means lower contamination potential in the event of a media leak or exposure to harsh external environments
<b>Unique body design</b>	Allows for 100% cavity drainage to prevent fluid entrapment, while top loading design allows for field service
<b>Available with Flaretek® or PureBond® pipe connections</b>	Provides fluid system design flexibility and versatility
<b>Optional remote electronic position indication</b>	Allows convenient valve open and closed position monitoring

## SPECIFICATIONS

<b>Pressure Range</b>	29" Hg to 80 psig (980 mbar to 552 kPa) @ 70°F (21°C) fluid temperature 29" Hg to 40 psig (980 mbar to 276 kPa) @ 200°F (93°C) fluid temperature
<b>Ambient Temperature</b>	100°F (38°C)
<b>Pneumatic Supply Pressure</b>	50 psig (345 kPa) minimum to 80 psig (552 kPa) maximum
<b>Pneumatic Supply Port</b>	1/8" FNPT
<b>Materials</b>	All wetted parts are PFA and PTFE. Exterior actuator parts are PVDF. Interior actuator parts are PVDF, Viton® and PFA. The springs are fluoropolymer coated stainless steel.

## PERFORMANCE DATA

Temperature vs. Media Pressure

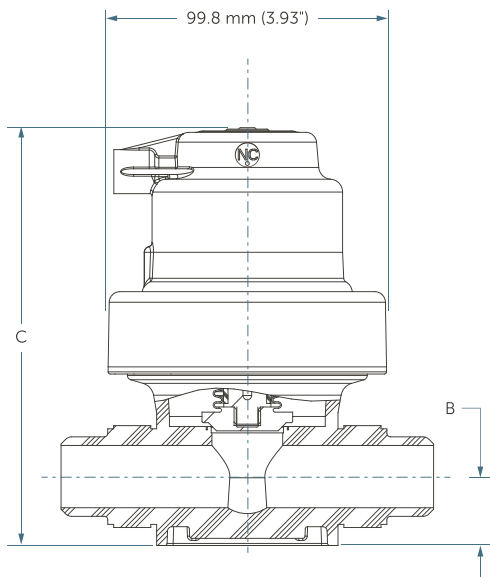


3-port Sampling Valve Flow Path

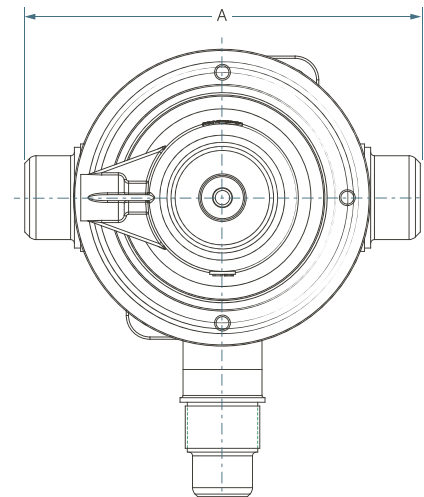


## DIMENSIONS

Front View



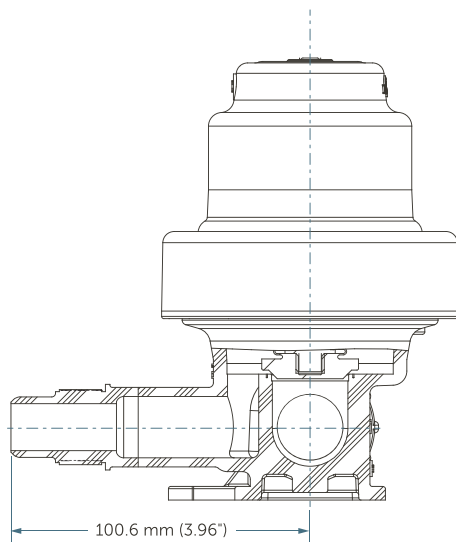
Top View



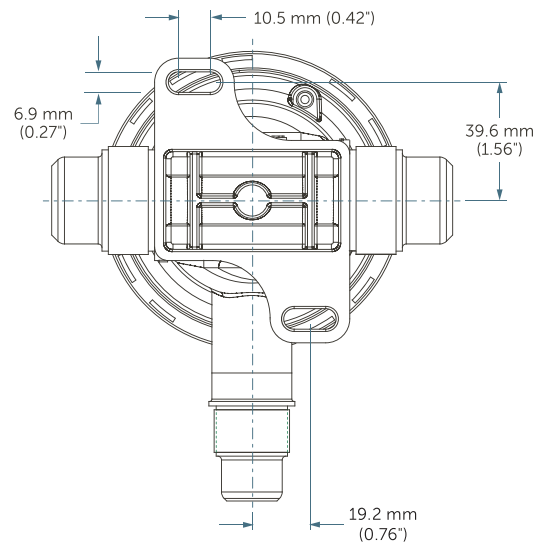
## DIMENSIONS

Port connection	Flow factor $C_v$ ( $K_v$ )	Flow factor $K_v$	Dimensions		
			A	B	C
3/4" Flaretek	7.2	103.0	129.0 mm (5.08")	24.4 mm (0.96")	164.3 mm (6.47")
3/4" PrimeLock	7.2	103.0	141.7 mm (5.58")	24.4 mm (0.96")	164.3 mm (6.47")
3/4" PureBond	10.4	149.0	167.4 mm (6.59")	24.4 mm (0.96")	164.3 mm (6.47")
1" Flaretek	12.4	177.1	133.6 mm (5.26")	24.4 mm (0.96")	164.3 mm (6.47")
1" Super 300 Type Pillar*	12.4	177.1	147.1 mm (5.79")	26.9 mm (1.06")	166.9 mm (6.57")
1" PrimeLock	12.4	177.1	150.9 mm (5.94")	28.4 mm (1.12")	168.4 mm (6.63")
1" PureBond	13.6	194.2	167.4 mm (6.59")	24.4 mm (0.96")	164.3 mm (6.47")
1 1/4" Extended Flaretek	13.6	194.2	170.7 mm (6.72")	39.1 mm (1.54")	179.1 mm (7.05") with spacer

Side View

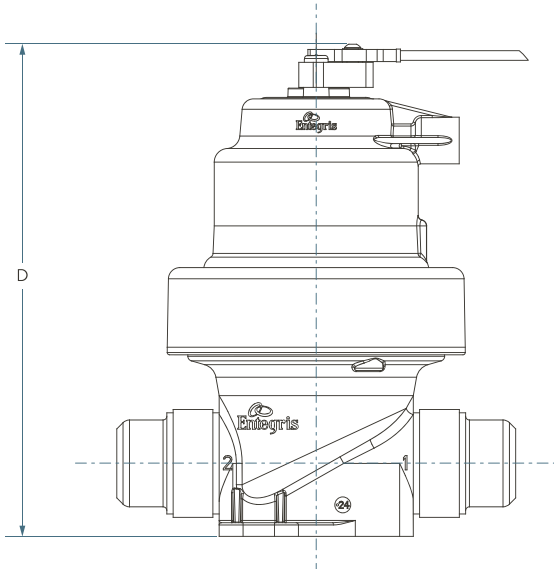


Bottom View



## DIMENSIONS

### Position Sensor



Port 1	Port 2 (sampling)	Port 3	Dimension D
3/4" Flaretek	3/4" Flaretek	3/4" Flaretek	6.49" (164.8 mm)
3/4" PureBond	3/4" Flaretek	3/4" PureBond	6.49" (164.8 mm)
1" Flaretek	3/4" Flaretek	1" Flaretek	6.49" (164.8 mm)
1" PureBond	3/4" Flaretek	1" PureBond	6.49" (164.8 mm)
1" PureBond	3/4" Flaretek	1" Flaretek	6.49" (164.8 mm)

A Remote Position Indication option is available to monitor valve open and closed positions electronically.

**Note:** To enable the remote position indication option you must special order the Omron® sensor (-OM) on the valve. In addition, order Omron position sensor indicator (EE-SX770R or EE-SX770A), which are sold separately.

## ORDERING INFORMATION

PART NUMBER	PORT 1 CONNECTION	SAMPLE PORT CONNECTION	PORT 3 CONNECTION	OPTIONS
DS16-SC-12F12F	3/4" Flaretek®	3/4" Flaretek®	3/4" Flaretek®	PVDF Flaretek® nut
DS16-SC-12F12F-3	3/4" Flaretek®	3/4" Flaretek®	3/4" Flaretek®	PFA Flaretek® nut
DS16-SC-12F12F-6	3/4" Flaretek®	3/4" Flaretek®	3/4" Flaretek®	CPFA Flaretek® nut
DS16-SC-12F12F-II	3/4" Flaretek®	3/4" Flaretek®	3/4" Flaretek®	PFA FlareLock® II nut
DS16-SC-12F12F-OM	3/4" Flaretek®	3/4" Flaretek®	3/4" Flaretek®	Omron position sensor

## ORDERING INFORMATION

PART NUMBER	PORT 1 CONNECTION	SAMPLE PORT CONNECTION	PORT 3 CONNECTION	OPTIONS
DS16-SC-12P12F	3/4" PureBond® pipe	3/4" Flaretek®	3/4" PureBond® pipe	PVDF Flaretek® nut
DS16-SC-12P12F-3	3/4" PureBond® pipe	3/4" Flaretek®	3/4" PureBond® pipe	PFA Flaretek® nut
DS16-SC-12P12F-6	3/4" PureBond® pipe	3/4" Flaretek®	3/4" PureBond® pipe	CPFA Flaretek® nut
DS16-SC-12P12F-II	3/4" PureBond® pipe	3/4" Flaretek®	3/4" PureBond® pipe	PFA FlareLock® II nut
DS16-SC-12P12F-OM	3/4" PureBond® pipe	3/4" Flaretek®	3/4" PureBond® pipe	Omron position sensor
DS16-SC-16F12F	1" Flaretek®	3/4" Flaretek®	1" Flaretek®	PVDF Flaretek® nut
DS16-SC-16F12F-3	1" Flaretek®	3/4" Flaretek®	1" Flaretek®	PFA Flaretek® nut
DS16-SC-16F12F-6	1" Flaretek®	3/4" Flaretek®	1" Flaretek®	CPFA Flaretek® nut
DS16-SC-16F12F-II	1" Flaretek®	3/4" Flaretek®	1" Flaretek®	PFA FlareLock® II nut
DS16-SC-16F12F-OM	1" Flaretek®	3/4" Flaretek®	1" Flaretek®	Omron position sensor
DS16-SC-16P12F	1" PureBond® pipe	3/4" Flaretek®	1" PureBond® pipe	PVDF Flaretek® nut
DS16-SC-16P12F-3	1" PureBond® pipe	3/4" Flaretek®	1" PureBond® pipe	PFA Flaretek® nut
DS16-SC-16P12F-6	1" PureBond® pipe	3/4" Flaretek®	1" PureBond® pipe	CPFA Flaretek® nut
DS16-SC-16P12F-II	1" PureBond® pipe	3/4" Flaretek®	1" PureBond® pipe	PFA FlareLock® II nut
DS16-SC-16P12F-OM	1" PureBond® pipe	3/4" Flaretek®	1" PureBond® pipe	Omron position sensor
DS16-SC-16PF12F	1" PureBond® pipe	3/4" Flaretek®	1" Flaretek®	PVDF Flaretek® nut
DS16-SC-16PF12F-3	1" PureBond® pipe	3/4" Flaretek®	1" Flaretek®	PFA Flaretek® nut
DS16-SC-16PF12F-6	1" PureBond® pipe	3/4" Flaretek®	1" Flaretek®	CPFA Flaretek® nut
DS16-SC-16PF12F-II	1" PureBond® pipe	3/4" Flaretek®	1" Flaretek®	PFA FlareLock® II nut
DS16-SC-16PF12F-OM	1" PureBond® pipe	3/4" Flaretek®	1" Flaretek®	Omron position sensor

#### FOR MORE INFORMATION

Please call your Regional Customer Service Center today to learn what Entegris can do for you. Visit [entegris.com](http://entegris.com) and select the [Contact Us](#) link to find the customer service center nearest you.

#### TERMS AND CONDITIONS OF SALE

All purchases are subject to Entegris' Terms and Conditions of Sale. To view and print this information, visit [entegris.com](http://entegris.com) and select the [Terms & Conditions](#) link in the footer.



Corporate Headquarters  
129 Concord  
Billerica, MA 01821  
USA

Customer Service  
Tel +1 952 556 4181  
Fax +1 952 556 8022  
Toll Free 800 394 4083

Entegris®, the Entegris Rings Design®, and other product names are trademarks of Entegris, Inc. as listed on [entegris.com/trademarks](http://entegris.com/trademarks). All third-party product names, logos, and company names are trademarks or registered trademarks of their respective owners. Use of them does not imply any affiliation, sponsorship, or endorsement by the trademark owner.

©2013-2022 Entegris, Inc. | All rights reserved. | Printed in the USA | 3220-12226DSA-1222