

Multiple Reticle Pods

Protect, store, and transport up to six lithography reticles

Entegris offers advanced reticle handling systems that secure valuable reticles and provide superior performance. This multiple reticle SMIF pod safely protects, stores, and transports up to six, 5" or 6" lithography reticles cost effectively and with an extremely high degree of contamination protection and ESD control.



APPLICATIONS

- Mask handling
- Reticle handling

Ideal for storing multiple masks in a pod where space is limited

FEATURES & BENEFITS

Holds up to six masks	Safely protects multiple masks in a small footprint, saving valuable space
Holds either 5" or 6" masks	Offers process flexibility and versatility
Interoperable with RSP150 load ports	Enables easy integration into existing process

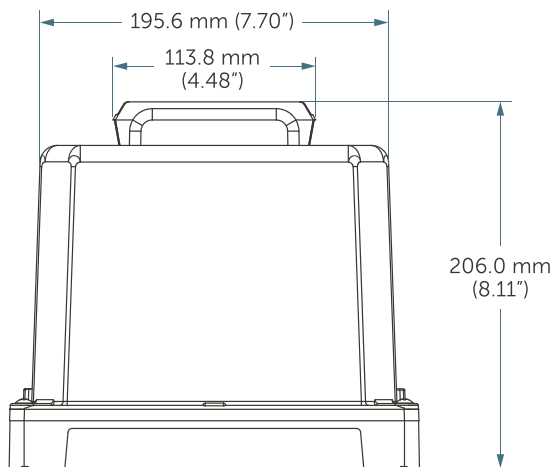
SPECIFICATIONS

Capacity	Up to six reticles
Reticle size	5" sq and 6" sq
UV transmissivity (ABS dome)	~0% at 470 nm
ESD performance	<2 seconds
Weight with cassette	2200 g
Footprint	214 mm x 230 mm (8.4" x 9.1")
Color	Transparent
Handle color options	Black, gray, red
Washability	No disassembly required

DIMENSIONS

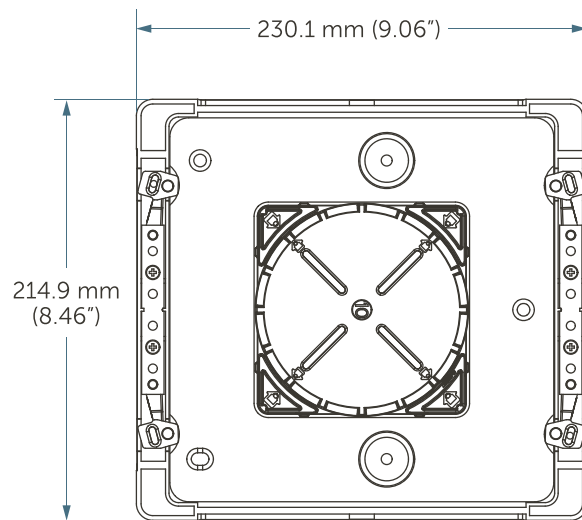
9700-9851-51

Side View



9700-9851-51

Bottom View



ORDERING INFORMATION

PART NUMBER	DOMES MATERIAL	MASK SIZE	ERGO HANDLE COLOR	CASSETTE	DOOR TYPE
9700-3549-01	Clear polycarbonate	152 mm sq. (6" sq.)	Red	No	None
9700-9851-01	Clear ABS	152 mm sq. (6" sq.)	Red	No	None
9700-9851-02	Clear ABS	152 mm sq. (6" sq.)	Gray	No	None

ORDERING INFORMATION

PART NUMBER	DOMES MATERIAL	MASK SIZE	ERGO HANDLE COLOR	CASSETTE	DOOR TYPE
9700-9851-50	Clear ABS	152 mm sq. (6" sq.)	Gray	Standard	Metal
9700-9851-51	Clear ABS	152 mm sq. (6" sq.)	Gray	Purge	Metal
9700-9852-02	Clear ABS	152 mm sq. (6" sq.)	Red	No	SRP
9700-9853-01	Clear ABS	152 mm sq. (6" sq.)	Red	No	With anti rotation pins
9700-9856-01	Clear ABS	127 mm sq. (5" sq.)	Black	No	With anti rotation pins

FOR MORE INFORMATION

Please call your Regional Customer Service Center today to learn what Entegris can do for you. Visit entegris.com and select the [Contact Us](#) link to find the customer service center nearest you.

TERMS AND CONDITIONS OF SALE

All purchases are subject to Entegris' Terms and Conditions of Sale. To view and print this information, visit entegris.com and select the [Terms & Conditions](#) link in the footer.



Corporate Headquarters
129 Concord
Billerica, MA 01821
USA

Customer Service
Tel +1 952 556 4181
Fax +1 952 556 8022
Toll Free 800 394 4083

Entegris®, the Entegris Rings Design®, and other product names are trademarks of Entegris, Inc. as listed on entegris.com/trademarks. All third-party product names, logos, and company names are trademarks or registered trademarks of their respective owners. Use of them does not imply any affiliation, sponsorship, or endorsement by the trademark owner.

©2021 Entegris, Inc. | All rights reserved. | Printed in the USA | 1250-11701ENT-0723