

NOWPak® Bottle Closure

Non key-coded breakseal closure for use with ND-EP basic dispense connectors

NOWPak® NC-W1 Liner-based Bottle System breakseal closures are used to seal bottles after they are filled with chemical. The closure is used together with the NOWPak ND-EP basic dispense connector which is installed over the top of the closure.



NC-W1 white breakseal closure

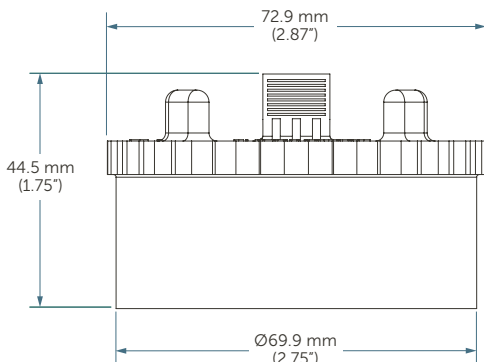
APPLICATIONS

- Designed for applications where minimal air contact with chemistry is desired

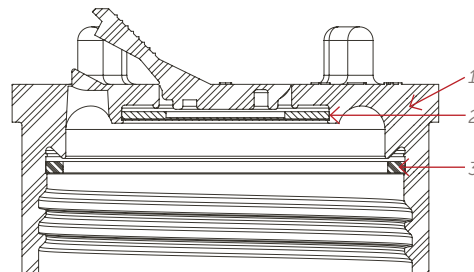
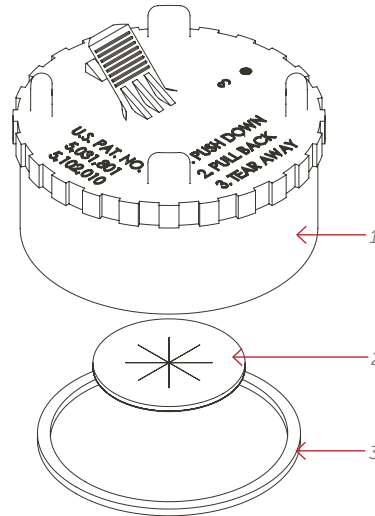
FEATURES & BENEFITS

- Primary PTFE wetted seal helps ensure purity
- The ND-EP connector installs over the top of the NC-W1 closure without removing the closure from the bottle
- Breakseal design helps minimize exposure of chemical to the environment
- Foam gasket provides a secondary seal for added security

DIMENSIONS



Note: Numeric values are maximum.



Item	Quantity	Description
1	1	Breakseal closure
2	1	Breakseal membrane
3	1	Gasket

SPECIFICATIONS

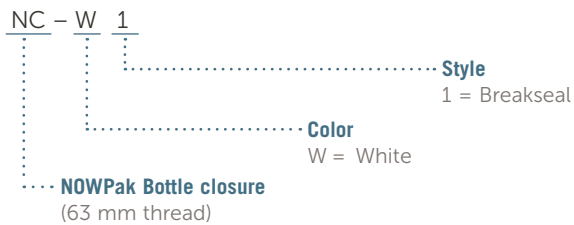
Part number	NC-W1	
Weight (assembly)	39 g (0.09 lb)	
Closure thread	M63SP-400 modified 63 mm buttress thread	
Application torque	95 ±3 kgf•cm (9.3 ±0.3 N•m or 80–85 lbf•in)	
Materials of construction	Closure body	Injection molded, white pigmented LLDPE
	Breakseal	0.1 mm (0.004") thick PTFE laminated to 1.3 mm (0.050") thick co-extruded polyethylene foam pre-scored for break-through Overall thickness 1.3 to 1.8 mm (0.051" to 0.062")
	Gasket	2.0 mm (0.080") thick co-extruded polyethylene foam
Manufacturing standards	Fabricated and tested in a Class 5 Cleanroom as per International Standard ISO 14644-1:1999 Cleanrooms and associated controlled environments – Part 1: Classification of air cleanliness.	
Cleanliness	Closure assembly to be free from lubricants and other extraneous foreign materials consistent with Entegris' processes and procedures.	

SHIPPING INFORMATION

Item	Description
Packaging	25 closures are packaged per bag and 100 closures per carton. Closures are bulk packaged in a polyethylene bag, then packaged in a corrugated carton.
Labeling	Each carton is labeled with the part number, batch number and quantity.

ORDERING INFORMATION

NOWPak Bottle Closure: part number



ACCESSORIES

Part number	Description	Part number	Description
NA-22	Tear tab removal tool	NA-11-05-1	UN rated shipping box, for one 10 liter NOWPak bottle
NA-33	Torque wrench, 3/8", 0–150 lbf•in	NA-11-05-2	UN rated shipping box, for two 10 liter NOWPak bottles
NA-02	Torque tool adapter for breakseal closure	NA-74-01-6	Japanese, UN rated shipping box, for six 1 liter NOWPak bottles
NA-65-100	Plug for closure disposal (Quantity of 100)	NA-74-02-4	Japanese, UN rated shipping box, for four 2.5 liter NOWPak bottles
NA-46-250	Shipping ring for NC-W1, NC-W2 and SmartCap™ closures (Quantity of 250)	NA-74-04-1	Japanese, UN rated shipping box, for one 4 liter NOWPak bottle
NA-11-01-1	UN rated shipping box, for one 1 liter NOWPak® bottle	NA-74-04-4	Japanese, UN rated shipping box, for four 4 liter NOWPak bottles
NA-11-01-6	UN rated shipping box, for six 1 liter NOWPak bottles	NA-74-05-1	Japanese, UN rated shipping box, for one 10 liter NOWPak bottle
NA-11-02-1	UN rated shipping box, for one 2.5 liter NOWPak bottle	NA-74-05-2	Japanese, UN rated shipping box, for two 10 liter NOWPak bottles
NA-11-04-1	UN rated shipping box, for one 4 liter NOWPak bottle		
NA-11-04-4	UN rated shipping box, for four 4 liter NOWPak bottles		

LIMITED WARRANTY

Entegris' products are subject to the Entegris, Inc. General Limited Warranty. To view and print this information, visit entegris.com and select the Legal & Trademark Notices link in the footer. Entegris does not warranty any failure in the case of customers using unapproved foreign components.

FOR MORE INFORMATION

Please call your Regional Customer Service Center today to learn what Entegris can do for you. Visit entegris.com and select the Contact Us link to find the customer service center nearest you.

TERMS AND CONDITIONS OF SALE

All purchases are subject to Entegris' Terms and Conditions of Sale. To view and print this information, visit entegris.com and select the Terms & Conditions link in the footer.



Corporate Headquarters
129 Concord Road
Billerica, MA 01821
USA

Customer Service
Tel +1 952 556 4181
Fax +1 952 556 8022
Toll Free 800 394 4083

Entegris®, the Entegris Rings Design™, Pure Advantage™, NOWPak® and SmartCap™ are trademarks of Entegris, Inc.

©2016-2017 Entegris, Inc. | All rights reserved. | Printed in the USA | 7119-8175ENT-1017