

# SCS-XX-YY-ZZ SmartCap™ Closure

*Key-coded closure with PFA breakseal for misconnect prevention*

SmartCap™ closures are used together with the NOWPak® liner-based bottle system and PDMPak® bottle system for pressurized applications to seal the bottles after they are filled with chemical. The chemical-specific mechanical key-code mates with the ErgoNOW™ connector to ensure the correct chemical is connected to the dispense system.



SCS-XX-YY-ZZ SmartCap closure

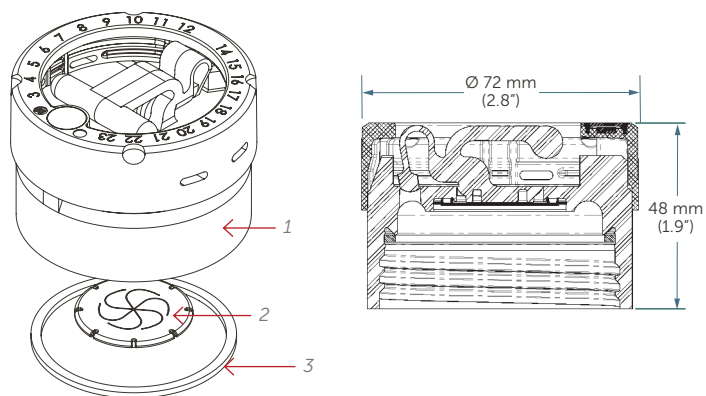
## APPLICATIONS

- Designed for applications where multiple chemicals are used, and where superior cleanliness is required

## FEATURES & BENEFITS

|   |   |
|---|---|
| <b>All PFA injection molded breakseal design</b>  | Provides improved cleanliness   |
| <b>SmartCap closures are matched only to an ErgoNOW™ dispense connector key coded for the same chemical</b> | Helps prevent dispensing the wrong material, avoiding costly misconnects                                  |
| <b>SmartCap closures are custom coded to uniquely identify customers' critical materials</b>                | Customers can customize the SmartCap closure labeling to meet their needs                                 |
| <b>Breakseal type closure design</b>  | Minimizes exposure of critical materials to the environment during installation of the dispense connector |

## DIMENSIONS



| Item | Description                | Quantity |
|------|----------------------------|----------|
| 1    | Key-coded SmartCap closure | 1        |
| 2    | PFA breakseal              | 1        |
| 3    | Gasket                     | 1        |

## SPECIFICATIONS

|                                  |  |  |
|----------------------------------|--|--|
| <b>Part number</b>               | SCS-XX-YY-ZZ (XX-YY-ZZ represents the key code)  |  |
| <b>Materials of construction</b> | Closure body   | LLDPE  |
|                                  | Breakseal  | Injection molded, pre-cleaned, PFA wetted and non-wetted surface |
|                                  | Gasket   | PE foam  |
|                                  | Key-coded ring   | PP   |
|                                  | Target   | Steel  |
|                                  | Target cap   | PP black   |
| <b>Weight</b>                    | 60 g (0.13 lb)   |  |
| <b>Closure thread</b>            | Modified 63 mm buttress thread, 4.24 mm (0.167") pitch   |  |
| <b>Application torque</b>        | 9.3 ±0.3 N•m (80 – 85 in•lb)   |  |
| <b>Manufacturing standards</b>   | Fabricated and tested in a Class 5 Cleanroom as per International Standard ISO 14644-1:* Cleanrooms and associated controlled environments – Part 1: Classification of air cleanliness.  |  |
| <b>Cleanliness</b>               | Closure assembly to be free from lubricants and other extraneous foreign materials consistent with Entegris' processes and procedures.   |  |
| <b>Packaging</b>                 | Closure assemblies are bulk packaged in heat-sealed PE bags, then placed in a corrugated shipping carton. Each heat-sealed PE bag contains 25 SmartCap closures. Each shipping carton contains 50 SmartCap closures.   |  |
| <b>Labeling</b>                  | Each SmartCap closure assembly may optionally be labeled with a customer-specified label format. This label format may include customer-specified information such as: part number, bar code, process chemical, or other customer-specified text. Each heat-sealed bag of 25 SmartCap closures is labeled with the part number, batch number, and bag quantity. Each corrugated shipping carton is labeled with the part number, batch number, and box quantity. |  |
| <b>Shipping information</b>      | Box quantity   | 50 (two bags of 25)  |
|                                  | Box dimensions   | 476 mm L x 295 mm W x 197 mm H (18.7" L x 11.6" W x 7.8" H)      |

*\*ISO standard certification is kept up to date as necessary to remain current and effective to be able to demonstrate compliance with up-to-date ISO requirements.*

## ORDERING INFORMATION

SmartCap closure with PFA breakseal: part number

SCS - XX - YY - ZZ

Closure

SCS = SCS type SmartCap with PFA breakseal

Key-code

Contact Entegris to obtain customer specific key code

### SmartCap Closure Accessories

| Part number    | Description  | Part number | Description  |
|----------------|--|-------------|--|
| NA-47          | Tear tab removal tool  | NA-11-04-1  | UN rated shipping box, for one 4-liter NOWPak bottle             |
| NA-47-SS       | Tear tab removal tool, stainless steel   | NA-11-04-4  | UN rated shipping box, for four 4-liter NOWPak bottles           |
| NA-33          | Torque wrench, 3/8", 0-150 lbf•in, with 3/8" to 1/2" drive socket adapter  | NA-11-05-1  | UN rated shipping box, for one 10-liter NOWPak bottle            |
| NA-51-A-XXYYZZ | Torque tool for SmartCap closure with keyed insert. Contains NA-51 torque tool body, and NA-51-XXYYZZ keyed insert. NA-51 and NA-51-XXYYZZ are also available for purchase separately. | NA-11-05-2  | UN rated shipping box, for two 10-liter NOWPak bottles           |
| NA-42          | Torque tool adapter for SmartCap closure   | NA-113-04-1 | UN rated shipping box, for one 4-liter PDMPak bottle             |
| NA-65-100      | Plug for SmartCap disposal (quantity of 100)   | NA-113-04-4 | UN rated shipping box, for four 4-liter PDMPak bottles           |
| NA-46-250      | Shipping ring for NC-W1, NC-W2, and SmartCap closures (quantity of 250)  | NA-74-01-6  | Japanese, UN rated shipping box, for six 1-liter NOWPak bottles  |
| NA-11-01-1     | UN rated shipping box, for one 1-liter NOWPak bottle   | NA-74-04-1  | Japanese, UN rated shipping box, for one 4-liter NOWPak bottle   |
| NA-11-01-6     | UN rated shipping box, for six 1-liter NOWPak bottles  | NA-74-04-4  | Japanese, UN rated shipping box, for four 4-liter NOWPak bottles |
| NA-11-02-1     | UN rated shipping box, for one 2.5-liter NOWPak bottle   | NA-74-05-1  | Japanese, UN rated shipping box, for one 10-liter NOWPak bottle  |
|                |  | NA-74-05-2  | Japanese, UN rated shipping box, for two 10-liter NOWPak bottles |

### FOR MORE INFORMATION

Please call your Regional Customer Service Center today to learn what Entegris can do for you. Visit [entegris.com](http://entegris.com) and select the [Contact Us](#) link to find the customer service center nearest you.

### TERMS AND CONDITIONS OF SALE

All purchases are subject to Entegris' Terms and Conditions of Sale. To view and print this information, visit [entegris.com](http://entegris.com) and select the [Terms & Conditions](#) link in the footer.



#### Corporate Headquarters

129 Concord Road  
Billerica, MA 01821  
USA

#### Customer Service

Tel +1 952 556 4181  
Fax +1 952 556 8022  
Toll Free 800 394 4083

Entegris®, the Entegris Rings Design®, and other product names are trademarks of Entegris, Inc. as listed on [entegris.com/trademarks](http://entegris.com/trademarks). All third-party product names, logos, and company names are trademarks or registered trademarks of their respective owners. Use of them does not imply any affiliation, sponsorship, or endorsement by the trademark owner.

©2025-2026 Entegris, Inc. | All rights reserved. | Printed in the USA | 7119-14322ENT-0526