

# SmartCap™ Closure

*Key-coded closure with breakseal for misconnect prevention*

SmartCap™ closures are used together with the NOWPak® Liner-based Bottle System and PDMPak® Bottle System for pressurized applications to seal the bottles after they are filled with chemical. The chemical-specific mechanical key-code mates with the ErgoNOW™ connector to ensure the correct chemical is connected to the correct dispense system.

## APPLICATIONS

- Designed for applications where multiple chemicals are used

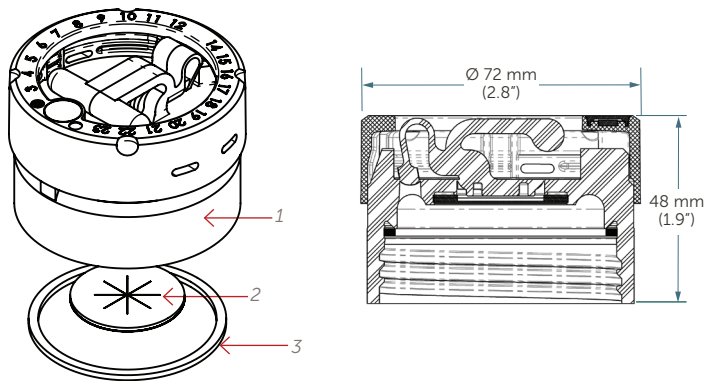
## FEATURES & BENEFITS

- Mechanical key-code mates only to the corresponding ErgoNOW key-coded connector to prevent dispensing the wrong material
- Breakseal closure minimizes exposure of critical materials to the environment during installation of the dispense connector
- Closures are custom coded to uniquely identify customers' critical materials



SC-XX-YY-ZZ SmartCap Closure

## DIMENSIONS



Item	Description	Quantity
1	Key-coded SmartCap closure	1
2	Breakseal	1
3	Gasket	1

## SPECIFICATIONS

<b>Part number</b>	SC-XX-YY-ZZ (XX-YY-ZZ represents the key-code)	
<b>Materials of construction</b>	Closure body	LLDPE
	Breakseal	Pre-cleaned, laminate construction with PTFE wetted surface
	Gasket	PE foam
	Key-coded ring	PP
	Target	Nickel-plated neodymium magnet
	Target cap	PP black
<b>Weight</b>	60 g (0.13 lb)	
<b>Closure thread</b>	Modified 63 mm buttress thread, 4.24 mm (0.167") pitch	
<b>Application torque</b>	9.3 ± 0.3 N•m (80 – 85 in•lb)	
<b>Manufacturing standards</b>	Fabricated and tested in a Class 5 cleanroom as per International Standard ISO 14644-1:1999 cleanrooms and associated controlled environments – Part 1: Classification of air cleanliness.	
<b>Cleanliness</b>	Closure assembly to be free from lubricants and other extraneous foreign materials consistent with Entegris' processes and procedures.	
<b>Packaging</b>	Closure assemblies are bulk packaged in heat-sealed PE bags, then placed in a corrugated shipping carton. Each heat-sealed PE bag contains 25 SmartCap closures. Each shipping carton contains 50 SmartCap closures.	
<b>Labeling</b>	Each SmartCap closure assembly may be labeled with a customer-specified label format. This label format may include customer-specified information such as: part number, bar code, process chemical, or other customer-specified text. Each heat-sealed bag of 25 SmartCap closures is labeled with the part number, batch number, and bag quantity. Each corrugated shipping carton is labeled with the part number, batch number, and box quantity.	
<b>Shipping information</b>	Box quantity	50 (two bags of 25)
	Box dimensions	476 mm L x 295 mm W x 197 mm H (18.7" L x 11.6" W x 7.8" H)

## ORDERING INFORMATION

SmartCap Closure with Breakseal: part number

SC - XX - YY - ZZ

Closure

SC = SmartCap Closure with  
SC type breakseal

Key-code

Contact Entegris to obtain  
customer specific key-code

### SmartCap Closure Accessories

Part number	Description	Part number	Description
NA-47	Tear tab removal tool.	NA-11-04-1	UN rated shipping box, for one 4-liter NOWPak bottle
NA-33	Torque wrench, 3/8", - 150 lbf•in	NA-11-04-4	UN rated shipping box, for four 4-liter NOWPak bottles
NA-51-A-XXYYZZ	Torque tool for SmartCap with keyed insert; contains NA-51 torque tool body, and NA-51-XXYYZZ keyed insert; NA-51 and NA-51-XXYYZZ are also available for purchase separately	NA-11-05-1	UN rated shipping box, for one 10-liter NOWPak bottle
NA-42	Torque tool adapter for closure	NA-11-05-2	UN rated shipping box, for two 10-liter NOWPak bottles
NA-65-100	Plug for closure disposal (Quantity of 100)	NA-74-01-6	Japanese, UN rated shipping box, for six 1-liter NOWPak bottles
NA-46-250	Shipping ring for NC-W1, NC-W2, and SmartCap closures (Quantity of 250)	NA-74-02-4	Japanese, UN rated shipping box, for four 2.5-liter NOWPak bottles
NA-11-01-1	UN rated shipping box, for one 1-liter NOWPak bottle	NA-74-04-1	Japanese, UN rated shipping box, for one 4-liter NOWPak bottle
NA-11-01-6	UN rated shipping box, for six 1-liter NOWPak bottles	NA-74-04-4	Japanese, UN rated shipping box, for four 4-liter NOWPak bottles
NA-11-02-1	UN rated shipping box, for one 2.5-liter NOWPak bottle	NA-74-05-1	Japanese, UN rated shipping box, for one 10-liter NOWPak bottle
		NA-74-05-2	Japanese, UN rated shipping box, for two 10-liter NOWPak bottles

### LIMITED WARRANTY

Entegris' products are subject to the Entegris, Inc. General Limited Warranty. To view and print this information, visit [entegris.com](http://entegris.com) and select the Legal & Trademark Notices link in the footer. Entegris does not warranty any failure in the case of customers using unapproved foreign components.

### FOR MORE INFORMATION

Please call your Regional Customer Service Center today to learn what Entegris can do for you. Visit [entegris.com](http://entegris.com) and select the [Contact Us](#) link to find the customer service center nearest you.

### TERMS AND CONDITIONS OF SALE

All purchases are subject to Entegris' Terms and Conditions of Sale. To view and print this information, visit [entegris.com](http://entegris.com) and select the [Terms & Conditions](#) link in the footer.



#### Corporate Headquarters

129 Concord Road  
Billerica, MA 01821  
USA

#### Customer Service

Tel +1 952 556 4181  
Fax +1 952 556 8022  
Toll Free 800 394 4083

Entegris®, the Entegris Rings Design®, and other product names are trademarks of Entegris, Inc. as listed on [entegris.com/trademarks](http://entegris.com/trademarks). All third-party product names, logos, and company names are trademarks or registered trademarks of their respective owners. Use of them does not imply any affiliation, sponsorship, or endorsement by the trademark owner.

©2016-2021 Entegris, Inc. | All rights reserved. | Printed in the USA | 7119-8194ENT-0621