

# NOWPak<sup>®</sup> Canister Closure

*Clear anodized two-piece aluminum  
breakseal closure*

NOWPak<sup>®</sup> liner-based canister system closures with their two-piece aluminum design and PTFE seals protect critical materials within filled canister systems. Fits 4- to 40-liter size canisters with 63 mm buttress thread.

## APPLICATIONS

- Photolithography applications
- Color filter material for flat panel display manufacturing
- High-purity solvents

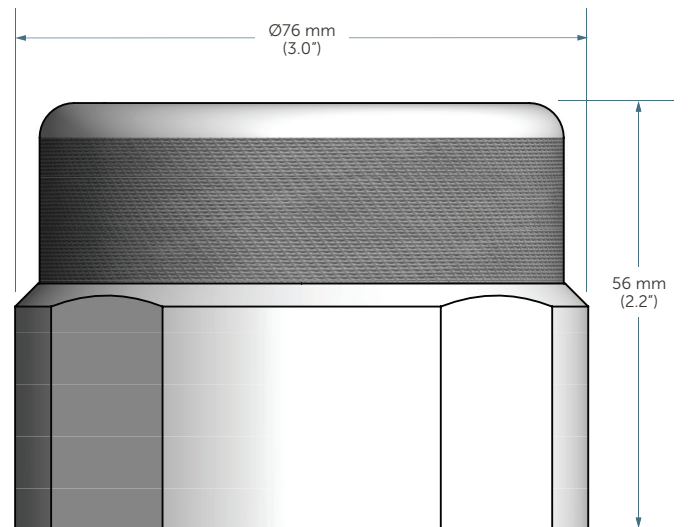
## FEATURES & BENEFITS

- Two-piece breakseal closure design remains sealed until the connector is installed
- PTFE breakseals hold up to demanding high-purity materials
- Closure is reusable after cleaning and replacing the breakseal



*NC-04 and NC-04-2 breakseal closure*

## DIMENSIONS

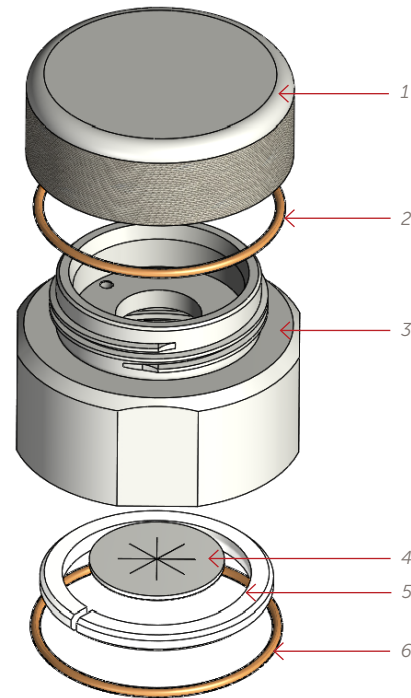


*Note: dimensions shown are maximum.*

## DIMENSIONS (CONTINUED)

Item	Quantity	Item description
1	1	Cap
2	1	Closure cap seal O-ring: NC-04: EPDM with PTFE coating NC-04-2: FEP-encapsulated silicone*
3	1	Closure body with 63 mm, modified buttress thread
4	1	Breakseal
5	1	Compression ring, HDPE
6	1	Closure body seal O-ring: NC-04: EPDM with PTFE coating NC-04-2: FEP-encapsulated silicone*

\*For the NC-04-2 closure only, please note that there are different part numbers for items 2 and 6 in the table and diagram. See the Ordering Information Accessories section on page 3 for part numbers.



NC-04-2 Closure

## SPECIFICATIONS

<b>Part numbers</b>	NC-04, NC-04-2	
<b>Materials of construction</b>	Closure body	Machined aluminum with clear anodized finish
	Cap	Machined aluminum with clear anodized finish
	O-ring seals	NC-04: EPDM with PTFE coating NC-04-2: FEP-encapsulated silicone
	Breakseal	Pre-cleaned laminate construction with PTFE wetted surface
	Compression ring	HDPE
	Cleanroom bag	PE
<b>Thread type</b>	Cap	2.25" major diameter, Acme
	Closure	63 mm modified buttress thread
<b>Application torque</b>	Cap	Hand tight
	Closure	27–34 N•m (20–25 ft•lbs)
<b>Manufacturing standards</b>	Fabricated and tested in a Class 5 Cleanroom as per International Standard ISO 14644-1:1999 Cleanrooms and associated controlled environments – Part 1: Classification of air cleanliness.	
<b>Cleanliness</b>	Closure assembly to be free from lubricants and other extraneous foreign materials consistent with Entegris' processes and procedures.	

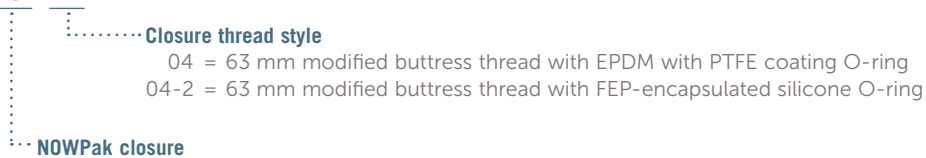
## SHIPPING INFORMATION

<b>Packaging</b>	Each closure assembly is individually double bagged in a heat sealed, cleanroom processed PE inner bag and a heat sealed PE outer bag. Closures are then placed in a corrugated shipping carton that is lined with a PE bag.	
	Part Number	NC-04, NC-04-2
	Box Quantity	50
	Box Dimension	406 mm L x 406 mm W x 406 mm H (16" L x 16" W x 16" H)
<b>Labeling</b>	The inner bag of each closure assembly is labeled with the part number and batch number. Each corrugated shipping carton is labeled with the part number, batch number, quantity and date of manufacture.	

## ORDERING INFORMATION

NC-04, NC-04-2 Breakseal Closures: part number

NC –



## Accessories

Part number	Description
NA-18	Torque wrench, 1/2" drive.
NA-10	Torque adapter for NC-03 and NC-04 aluminum closures.
NA-23	Breakseal insertion tool.
NA-60	Liner insertion tool.
200328-C	Closure body and cap seal replacement O-ring for NC-04 closure, EPDM with PTFE coating, (reference items 2 and 6 from the image on page 2), quantity of 1.
200328-C-50	Closure body and cap seal replacement O-ring for NC-04 closure, EPDM with PTFE coating, (reference items 2 and 6 from the image on page 2), bag of 50.
200328-C-500	Closure body and cap seal replacement O-ring for NC-04 closure, EPDM with PTFE coating, (reference items 2 and 6 from the image on page 2), bag of 500.
NA-133-T-10*	Closure cap seal replacement O-ring for NC-04-2 closure (reference item 2 from the image on page 2), FEP-encapsulated silicone, bag of 10.
NA-133-T-100*	Closure cap seal replacement O-ring for NC-04-2 closure (reference item 2 from the image on page 2), FEP-encapsulated silicone, bag of 100.
NA-133-B-10*	Closure body seal replacement O-ring for NC-04-2 closure (reference item 6 from the image on page 2), FEP-encapsulated silicone, bag of 10.
NA-133-B-100*	Closure body seal replacement O-ring for NC-04-2 closure (reference item 6 from the image on page 2), FEP-encapsulated silicone, bag of 100.

\*For the NC-04-2 closure only, when ordering replacement O-rings please note that there are separate replacement O-ring part numbers for the closure cap and body: Closure cap O-ring = NA-133-T-10 or NA-133-T-100; Closure body O-ring = NA-133-B-10 or NA-133-B-100. (Reference the table and diagram on page 2, item numbers 2 and 6.)

## Accessories (continued)

Part number	Description
NA-133-S-10	Closure body replacement split compression ring for NC-04 and NC-04-2 closures, HDPE (reference item 5 from the image on page 2), bag of 10.
NA-133-S-100	Closure body replacement split compression ring for NC-04 and NC-04-2 closures, HDPE (reference item 5 from the image on page 2), bag of 100.
NA-09-50	Replacement breakseal, PTFE/PE, (reference item 4 from the image on page 2), bag of 50.
NA-09-500	Replacement breakseal, PTFE/PE, (reference item 4 from the image on page 2), bag of 500.

### LIMITED WARRANTY

Entegris' products are subject to the Entegris, Inc. General Limited Warranty. To view and print this information, visit [entegris.com](http://entegris.com) and select the [Legal & Trademark Notices](#) link in the footer. Entegris does not warranty any failure in the case of customers using unapproved foreign components.

### FOR MORE INFORMATION

Please call your Regional Customer Service Center today to learn what Entegris can do for you. Visit [entegris.com](http://entegris.com) and select the [Contact Us](#) link to find the customer service center nearest you.

### TERMS AND CONDITIONS OF SALE

All purchases are subject to Entegris' Terms and Conditions of Sale. To view and print this information, visit [entegris.com](http://entegris.com) and select the [Terms & Conditions](#) link in the footer.



#### Corporate Headquarters

129 Concord Road  
Billerica, MA 01821  
USA

#### Customer Service

Tel +1 952 556 4181  
Fax +1 952 556 8022  
Toll Free 800 394 4083

Entegris®, the Entegris Rings Design®, and other product names are trademarks of Entegris, Inc. as listed on [entegris.com/trademarks](http://entegris.com/trademarks). All third-party product names, logos, and company names are trademarks or registered trademarks of their respective owners. Use of them does not imply any affiliation, sponsorship, or endorsement by the trademark owner.

©2016-2019 Entegris, Inc. | All rights reserved. | Printed in the USA | 7124-8201ENT-0519