

NOWPak[®] Canister Diptube

Pre-cleaned, fluoropolymer diptube assembly for NOWPak liner-based canister systems

Maintain purity and process integrity while meeting the requirements of many types of critical materials. The diptubes are designed for use with the NOWPak[®] liner-based canister system and ND-CD or MaxMT[™] dispense connectors.



NDT-TX-X FEP diptube shown with EPDM O-ring

APPLICATIONS

- Diptubes are designed for high-purity returnable canister applications

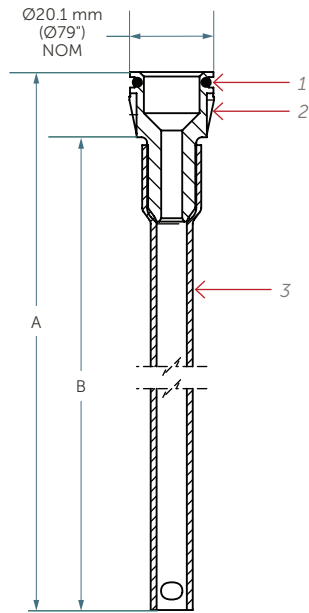
SPECIFICATIONS

Part number	NDT-TX-X	
Materials of construction	Coupler	Injection molded, natural PFA
	Downtube	Extruded, natural FEP
	O-ring seal	EPDM, Chemraz [®] , or Semi-perfluoroelastomer
	Cleanroom bag	PE
Manufacturing standards	Fabricated and tested in a Class 5 Cleanroom as per International Standard ISO 14644-1:1999 Cleanrooms and associated controlled environments – Part 1: Classification of air cleanliness.	
Cleanliness	Diptube assembly to be free from lubricants and other extraneous foreign materials consistent with Entegris processes and procedures.	

FEATURES & BENEFITS

- Pre-cleaned diptube is ready to use, improving efficiency
- Minimizes defects associated with particles and microbubbles
- Enhanced chemical compatibility performance and cleanliness
- Diptubes are reusable, extending product lifetime

DIMENSIONS



Item	Quantity	Description
1	1	O-ring seal
2	1	Coupler
3	1	Downtube
Coupler orifice		4.6 mm (0.2") minimum
Coupler o-ring gland		16.6 mm (0.7")
Downtube outer diameter		9.5 mm (0.4")
Downtube inner diameter		5.9 mm (0.2") minimum
Assembly length		Refer to table below

PART NUMBER

Diptube	Canister	Size	O-ring type	A (Assembly)	B (Downtube)
NDT-T4	NO-04 NO-04-63	4 liter	EPDM	227 mm (8.9")	210 mm (8.3")
NDT-T4-C	NO-04 NO-04-63	4 liter	Chemraz	227 mm (8.9")	210 mm (8.3")
NDT-T5	NO-05 NO-05-63	10 liter	EPDM	315 mm (12.4")	298 mm (11.8")
NDT-T5-C	NO-05 NO-05-63	10 liter	Chemraz	315 mm (12.4")	298 mm (11.8")
NDT-T9	NO-09	18 liter	EPDM	547 mm (21.5")	530 mm (20.9")
NDT-T8	NO-08 NO-08-63 NO-08A-63	19 liter	EPDM	401 mm (15.8")	384 mm (15.1")
NDT-T8-C	NO-08 NO-08-63 NO-08A-63	19 liter	Chemraz	401 mm (15.8")	384 mm (15.1")
NDT-T7	NO-07	20 liter	EPDM	423 mm (16.7")	406 mm (16.0")
NDT-T7-C	NO-07	20 liter	Chemraz	423 mm (16.7")	406 mm (16.0")

DIMENSIONS (CONTINUED)

PART NUMBER					
Diptube	Canister	Size	O-ring type	A (Assembly)	B (Downtube)
NDT-T40	NO-40 NO-40-63	40 liter	EPDM	637 mm (25.1")	620 mm (24.4")
NDT-T40-C	NO-40 NO-40-63	40 liter	Chemraz	637 mm (25.1")	620 mm (24.4")
NDT-T200-2-E (with 2" fitment)	NO-200	200 liter	EPDM	872 mm (34.4")	856 mm (33.7")
NDT-T200-C	NO-200	200 liter	Chemraz	848 mm (33.4")	831 mm (32.7")
NDT-T200-F	NO-200	200 liter	Semi-perfluoroelastomer	848 mm (33.4")	831 mm (32.7")
NDT-T200-2-F (with 2" fitment)	NO-200	200 liter	Semi-perfluoroelastomer	872 mm (34.4")	856 mm (33.7")

*Note: Length dimensions are ± 5.0 mm (0.20")

SHIPPING INFORMATION

Labeling

Each bag of diptubes is labeled with the part number, description, quantity, and batch number. Each shipping carton is labeled with the part number, description, quantity, and batch number.

Packaging and shipping

Diptube assemblies are bulk packaged and double bagged. Assemblies are cleanroom processed and heat sealed in a PE inner bag, then heat sealed in a PE outer bag. Bagged assemblies are packaged in a corrugated shipping carton. Refer to the table below for packaging information.

SHIPPING INFORMATION (CONTINUED)

Part number	Size	O-ring type	Box quantity (minimum order quantity)	Box dimensions (L x W x H)
NDT-T4	4 liter	EPDM	100 (20 bags of 5)	445 mm x 286 mm x 191 mm (17.5" x 11.3" x 7.5")
NDT-T4-C	4 liter	Chemraz	100 (20 bags of 5)	445 mm x 286 mm x 191 mm (17.5" x 11.3" x 7.5")
NDT-T5	10 liter	EPDM	100 (20 bags of 5)	445 mm x 286 mm x 191 mm (17.5" x 11.3" x 7.5")
NDT-T5-C	10 liter	Chemraz	100 (20 bags of 5)	445 mm x 286 mm x 191 mm (17.5" x 11.3" x 7.5")
NDT-T9	18 liter	EPDM	50 (10 bags of 5)	686 mm x 178 mm x 52 mm (27" x 7" x 2")
NDT-T8	19 liter	EPDM	100 (20 bags of 5)	445 mm x 286 mm x 191 mm (17.5" x 11.3" x 7.5")
NDT-T8-C	19 liter	Chemraz	100 (20 bags of 5)	445 mm x 286 mm x 191 mm (17.5" x 11.3" x 7.5")
NDT-T7	20 liter	EPDM	100 (20 bags of 5)	445 mm x 286 mm x 191 mm (17.5" x 11.3" x 7.5")
NDT-T7-C	20 liter	Chemraz	100 (20 bags of 5)	445 mm x 286 mm x 191 mm (17.5" x 11.3" x 7.5")
NDT-T40	40 liter	EPDM	50 (10 bags of 5)	686 mm x 178 mm x 52 mm (27" x 7" x 2")
NDT-T40-C	40 liter	Chemraz	50 (10 bags of 5)	686 mm x 178 mm x 52 mm (27" x 7" x 2")
NDT-T200-2-E (with 2" fitment)	200 liter	EPDM	48 (12 bags of 4)	902 mm x 241 mm x 165 mm (35.5" x 9.5" x 6.5")
NDT-T200-C	200 liter	Chemraz	48 (12 bags of 4)	902 mm x 241 mm x 165 mm (35.5" x 9.5" x 6.5")
NDT-T200-F	200 liter	Semi-perfluoroelastomer	48 (12 bags of 4)	902 mm x 241 mm x 165 mm (35.5" x 9.5" x 6.5")
NDT-T200-2-F (with 2" fitment)	200 liter	Semi-perfluoroelastomer	48 (12 bags of 4)	902 mm x 241 mm x 165 mm (35.5" x 9.5" x 6.5")

ORDERING INFORMATION

NOWPak Canister Diptube: part number

NDT - T -

NDT - T -
NOWPak diptube

Diptube length

4 = 4 L
5 = 10 L
7 = 20 L
8 = 19 L
9 = 18 L
40 = 40 L
200 = 200 L
200-2 = 200 L (with 2" fitment)

O-ring type

Blank = EPDM
C = Chemraz
E = EPDM (200 L only)
F = Semi-perfluoroelastomer

ACCESSORIES

Part number	Description
NA-13	Diptube removal tool.
NA-24	Replacement coupler O-rings, EPDM, bag of 50.
NA-24-1000	Replacement coupler O-rings, EPDM, bag of 1,000.
200995	Replacement coupler O-ring, Chemraz, quantity of 1.
NA-131A-500	Replacement coupler O-rings, semi-perfluoroelastomer, quantity of 500.

LIMITED WARRANTY

Entegris' products are subject to the Entegris, Inc. General Limited Warranty. To view and print this information, visit entegris.com and select the [Legal & Trademark Notices](#) link in the footer. Entegris does not warranty any failure in the case of customers using unapproved foreign components.

FOR MORE INFORMATION

Please call your Regional Customer Service Center today to learn what Entegris can do for you. Visit entegris.com and select the [Contact Us](#) link to find the customer service center nearest you.

TERMS AND CONDITIONS OF SALE

All purchases are subject to Entegris' Terms and Conditions of Sale. To view and print this information, visit entegris.com and select the [Terms & Conditions](#) link in the footer.



Corporate Headquarters
129 Concord Road
Billerica, MA 01821
USA

Customer Service
Tel +1 952 556 4181
Fax +1 952 556 8022
Toll Free 800 394 4083

Entegris®, the Entegris Rings Design®, and other product names are trademarks of Entegris, Inc. as listed on entegris.com/trademarks. All third-party product names, logos, and company names are trademarks or registered trademarks of their respective owners. Use of them does not imply any affiliation, sponsorship, or endorsement by the trademark owner.

©2017-2018 Entegris, Inc. | All rights reserved. | Printed in the USA | 7124-8211ENT-1118