

Integra[®] Pneumatically Operated Valve Indicator Cover

*¼" and ½", normally
closed valves*

INSTALLATION INSTRUCTIONS

¼" Valve

(See Figure 1)

1. Place O-ring (P3) on to top surface of valve inner cap (P4) around the center boss.
2. Place indicator cover (P2) on top of the O-ring.

NOTE: Make sure the O-ring is properly aligned and is not rolled or crimped.

3. Using two hex head screws (P1), fasten the indicator cover to the valve inner cap (P4). Tighten the screws with a ¼" nut driver (S1) to no more than 10 in•ozs torque.
4. Remove the vented cap from the female NPT port of the valve inner cap (P4) and discard. Apply thread sealing tape to the unvented plug (P5) and insert into the female NPT port.

½" Valve

(See Figure 2)

1. Place O-ring (P3) over center boss of valve inner cap (P4).
2. Place indicator cover (P2) on top of the O-ring.

NOTE: Make sure the O-ring is properly aligned and is not rolled or crimped.

3. Using two hex head screws (P1), fasten the clear cap to the valve inner cap (P4). Tighten the screws with a ¼" nut driver (S1) to no more than 10 in•ozs torque.

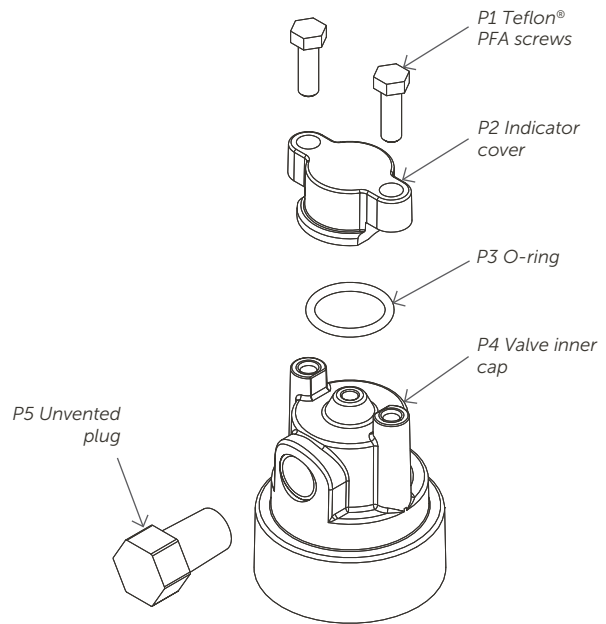


Figure 1.

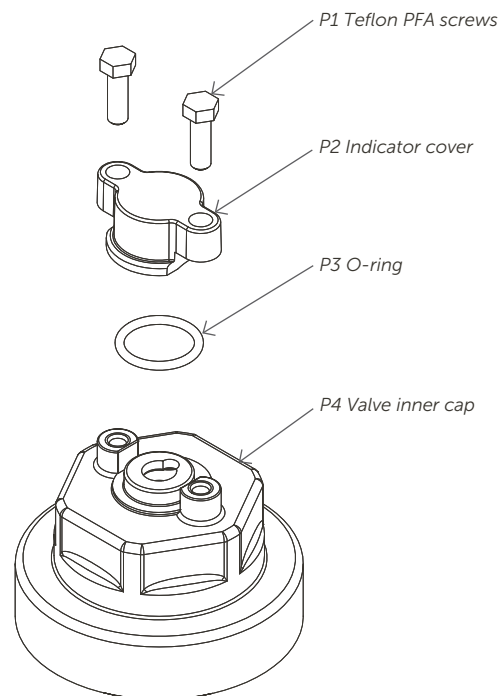


Figure 2.

ORDERING INFORMATION

Indicator Cover Parts Kit

(Ordering number IN-CAP)

ITEM	DESCRIPTION	QUANTITY
P1	Teflon PFA screws	2
P2	Indicator cover	1
P3	O-ring	1
P5	Unvented plug	1 (for 1/4" valve applications only)

Customer Supplied Items

ITEM	DESCRIPTION
S1	1/4" nut driver

FOR MORE INFORMATION

Please call your Regional Customer Service Center today to learn what Entegris can do for you. Visit entegris.com and select the [Contact Us](#) link to find the customer service center nearest you.

TERMS AND CONDITIONS OF SALE

All purchases are subject to Entegris' Terms and Conditions of Sale. To view and print this information, visit entegris.com and select the [Terms & Conditions](#) link in the footer.



Corporate Headquarters
129 Concord Road
Billerica, MA 01821
USA

Customer Service
Tel +1 952 556 4181
Fax +1 952 556 8022
Toll Free 800 394 4083

Entegris®, the Entegris Rings Design®, Pure Advantage™, and other product names are trademarks of Entegris, Inc. as listed on entegris.com/trademarks. All third-party product names, logos, and company names are trademarks or registered trademarks of their respective owners. Use of them does not imply any affiliation, sponsorship, or endorsement by the trademark owner.

©1997-2018 Entegris, Inc. | All rights reserved. | Printed in the USA | 3220-8472ENT-5418