



PANELGARD™ 226 PLUS PES CARTRIDGE FILTERS

*High-flow PES cartridge filters for
flat panel display applications*

Overview

The Panelgard™ 226 Plus PES filter is designed for DI water and applications where weak acids/bases are used. The cartridge's hydrophilic polyethersulfone membrane ensures a higher flow rate, particle retention and longer lifetime, leading to higher flows with low pressure drops, less filter changeout and cleaner process water and chemicals for your application.

Applications

- Larger format flat panel displays
- A variety of retention ratings are available to suit specific application needs.

Features and Benefits

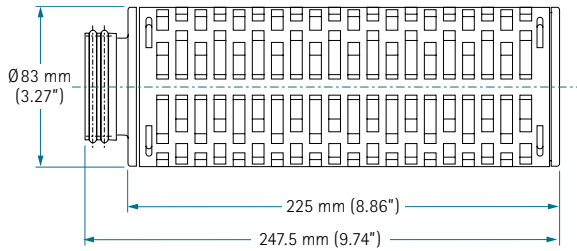
- Hydrophilic polyethersulfone membrane eliminates the need for prewetting and flushing
- Asymmetric membrane structure provides high flow rates with lower differential pressure and a longer cartridge lifetime
- High flow and efficient particle removal – ensures rapid particle removal in one-pass and recirculating applications
- Provides excellent chemical compatibility – weak acids, bases, and DI water



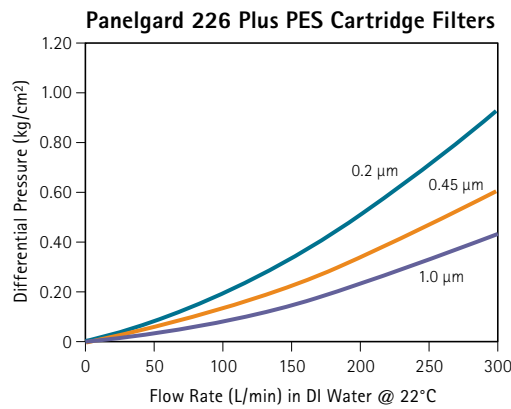
Specifications

Materials:	Membrane	Hydrophilic polyethersulfone (PES)
	Supports, end caps, core, cage	Polypropylene
	O-ring connections	EPDM, FKM, E-FKM (encapsulated fluoroelastomer)
Dimensions (nominal):	Length	247.5 mm (9.74")
	Diameter	83 mm (3.27")
Operating conditions:	Maximum forward differential pressure	0.41 MPa@20°C (68°F)
	Maximum reverse differential pressure	0.15 MPa@20°C (68°F)
	Maximum operating temperature	60°C (140°F)
Retention rating:	0.2, 0.45 and 1.0 µm	

Dimensions



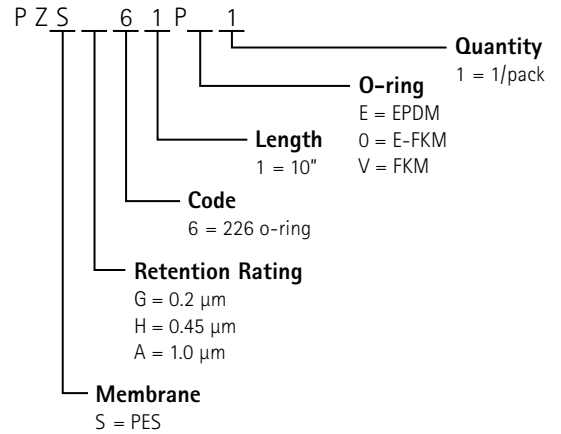
Performance Data



Ordering Information

Panelgard 226 Plus PES Cartridge Filters

Part Number



For More Information

Please call your Regional Customer Service Center today to learn what Entegris can do for you. Visit www.entegris.com and select the Customer Service link for the center nearest you.

Terms and Conditions of Sale

All purchases are subject to Entegris' Terms and Conditions of Sale. To view and print this information, visit www.entegris.com and select the Legal Notices link from the footer.

Entegris®, the Entegris Rings Design® and Panelgard™ are trademarks of Entegris, Inc.

ENTEGRIS, INC.

Corporate Headquarters | 129 Concord Road | Billerica, MA 01821 USA
 Customer Service Tel. +1 952 556 4181 | Customer Service Fax +1 952 556 8022
 In North America 800 394 4083 | www.entegris.com

©2009–2012 Entegris, Inc. All rights reserved. Printed in USA 4423-5424ENT-1212

