



PANELGARD™ 334 PTFE CARTRIDGE FILTERS

*High-flow PTFE cartridge filters for
flat panel display applications*

Overview

Panelgard™ 334 PTFE cartridge filters are designed for stripper, solvent, acidic and alkaline chemicals and DI water applications. The PTFE membrane ensures a higher flow rate, particle retention and longer lifetime.

Applications

- Larger format flat panel displays

Features and Benefits

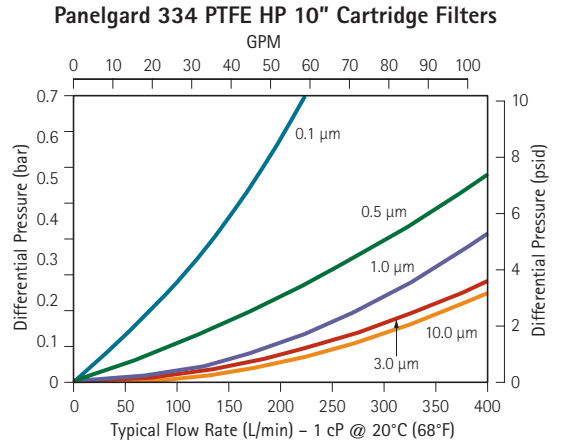
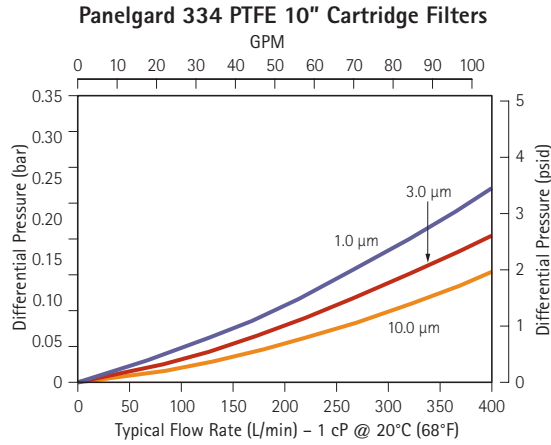
- Hydrophilic 10 µm is designed for longer lifetime
- High-flow, lower pressure drop performance increases equipment uptime and process yield
- Compatible with solvent and DI water in high-flow requirement applications
- High-flow and efficient particle removal – ensures rapid particle removal in one-pass and recirculating applications
- Provides excellent chemical compatibility, long lifetime and reduced changeout and system startup times



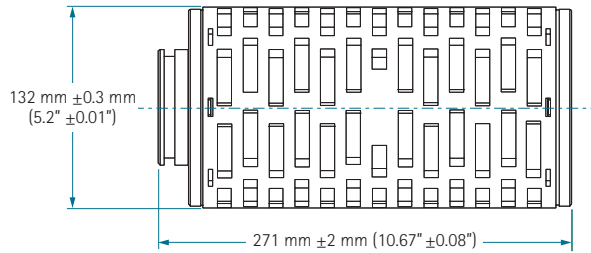
Specifications

Materials:	Membrane	PTFE
	Supports, end caps, core, cage	Polypropylene
	O-ring connections	EPDM, FKM, E-FKM (encapsulated fluoroelastomer)
Dimensions: (nominal)	Length	271 mm (10.67")
	Diameter	132 mm (5.2")
Operating conditions:	Maximum forward differential pressure	0.41 MPa @ 20°C (68°F)
	Maximum reverse differential pressure	0.10 MPa @ 20°C (68°F)
	Maximum operating temperature	80°C (176°F)
Retention rating:	1, 3 and 10 µm (hydrophobic); 0.1, 0.5, 1, 3 and 10 µm (hydrophilic)	

Performance Data



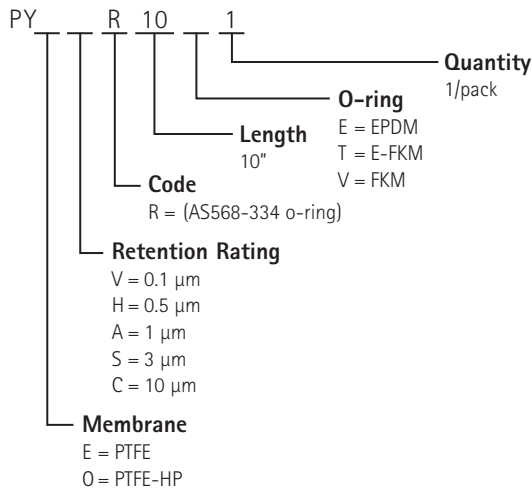
Dimensions



Ordering Information

Panelgard 334 PTFE Cartridge Filters

Part Number



For More Information

Please call your Regional Customer Service Center today to learn what Entegris can do for you. Visit www.entegris.com and select the Customer Service link for the center nearest you.

Terms and Conditions of Sale

All purchases are subject to Entegris' Terms and Conditions of Sale. To view and print this information, visit www.entegris.com and select the Legal Notices link from the footer.

Entegris®, the Entegris Rings Design®, Creating a Material Advantage® and Panelgard™ are trademarks of Entegris, Inc.

ENTEGRIS, INC.

Corporate Headquarters | 129 Concord Road | Billerica, MA 01821 USA
Customer Service Tel. +1 952 556 4181 | Customer Service Fax +1 952 556 8022
In North America 800 394 4083 | www.entegris.com