

# Panelgard™ Ex PP Housing

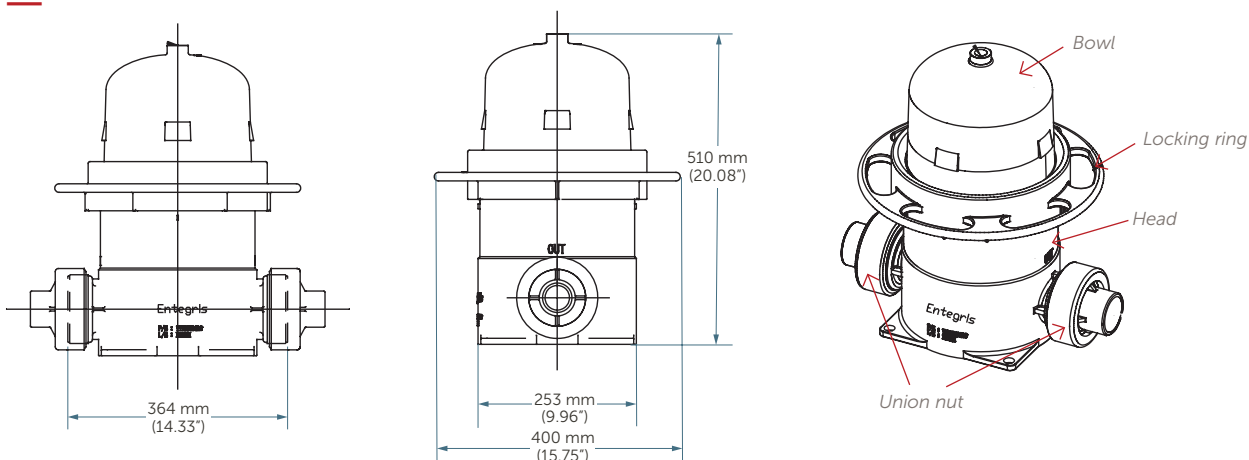
Bulk filter housing compatible with Panelgard Ex cartridge filters



## SPECIFICATIONS

<b>Materials</b>	Housing head	Polypropylene
	Housing bowl	Polypropylene
	O-ring for housing body	EPDM (AS568-376)
	Locking ring	PVDF
<b>Connections</b>	Inlet/outlet	65A, 50A, 40A (Reducing sleeve on 50A and 40A)
	Vent/drain	Rc½
<b>Maximum operating pressure</b>	0.4 MPa at 25°C (77°F)	
	0.2 MPa at 40°C (104°F)	
<b>Maximum operating temperature</b>	40°C (104°F)	
<b>Accessories</b>	PVDF plug for vent/drain (3 each)	
	PVC union connector and EPDM o-ring (2/set)	
<b>Compatible filters</b>	Panelgard Ex cartridge filters	

## DIMENSIONS



## ORDERING INFORMATION

Part number	Description	Inlet/outlet connections	Unit per box
YYEXP108E	Panelgard Ex PP housing 65A EPDM	65A	1
YYEXP107E	Panelgard Ex PP housing 50A EPDM	50A	1
YYEXP106E	Panelgard Ex PP housing 40A EPDM	40A	1

## ACCESSORIES

Part number	Description	Quantity
YYEX00001	Panelgard Ex wrench	1
YYEX000EP	Panelgard Ex housing o-ring EPDM	1
YYEX008EP	Panelgard Ex union o-ring EPDM	2

### FOR MORE INFORMATION

Please call your Regional Customer Service Center today to learn what Entegris can do for you. Visit [entegris.com](http://entegris.com) and select the Contact Us link to find the customer service center nearest you.

### TERMS AND CONDITIONS OF SALE

All purchases are subject to Entegris' Terms and Conditions of Sale. To view and print this information, visit [entegris.com](http://entegris.com) and select the Terms & Conditions link in the footer.



Corporate Headquarters  
129 Concord Road  
Billerica, MA 01821  
USA

Customer Service  
Tel +1 952 556 4181  
Fax +1 952 556 8022  
Toll Free 800 394 4083

Entegris®, the Entegris Rings Design™, Pure Advantage™ and Panelgard™ are trademarks of Entegris, Inc.  
©2006-2017 Entegris, Inc. | All rights reserved. | Printed in the USA | 4429-8218ENT-0317