

ProcessGard® PTFE Plus Disposable Filters

Provide unmatched durability and cleanliness in point-of-tool applications

ProcessGard® PTFE Plus disposable filters are designed for filtration of process fluids used in the microelectronics industry. Constructed of PTFE pleated membranes with polypropylene supports and housing, these filters provide unmatched durability and cleanliness. Our disposable filters support POU filtration, small batch chemical production or lab-scale evaluations which are easy to scale up to cartridges filters for mass production. The disposable format allows safe filter change-outs as chemical is contained within the disposable shell.

Our portfolio includes half (1.5"), short (2.5"), and long (5") size filters to suit various flow requirements in point-of-tool applications where space is limited. A hydrophilic version is available for water-based applications while a hydrophobic version is available for solvent-based applications.

APPLICATIONS

- The hydrophobic format is for use in IPA or weak solvent applications
- The hydrophilic format is for use in DI water or water-based chemical solutions

FEATURES & BENEFITS

PTFE pleated membrane	Offers excellent compatibility for use in a wide variety of chemicals and reliable filtration of defect-causing particles
Hydrophobic and hydrophilic membrane	Eliminates prewet treatment, reducing start-up time
	Reduces filter changeout time
	Increases equipment uptime, lowering operation costs
Half, short, and long sizes	Suits various formats and flow requirements for small flow chemical filtration in point-of-tool applications where space is limited



offers excellent chemical compatibility for use in a wide variety of chemicals

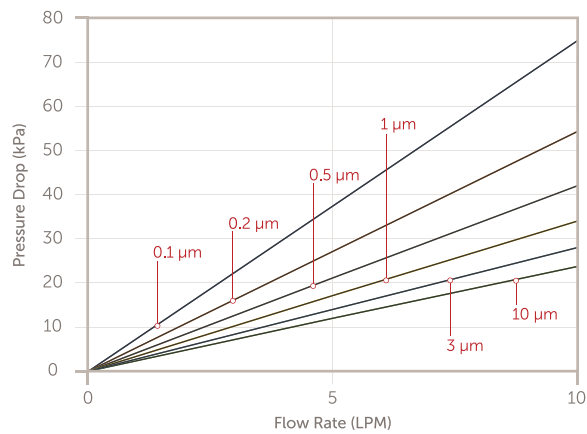
SPECIFICATIONS

Retention rating	0.05*, 0.1, 0.2, 0.5, 1, 3, 10 μm	
Materials	Membrane	Hydrophobic, hydrophilic PTFE
	Support, core, sleeve, shell	Polypropylene
Maximum operating conditions	Forward differential pressure	0.4 MPa @ 25°C (77°F)
	Reverse differential pressure	0.2 MPa @ 25°C (77°F)
	Operating pressure	0.5 MPa @ 25°C (77°F)
	Operating temperature	60°C (140°F) water

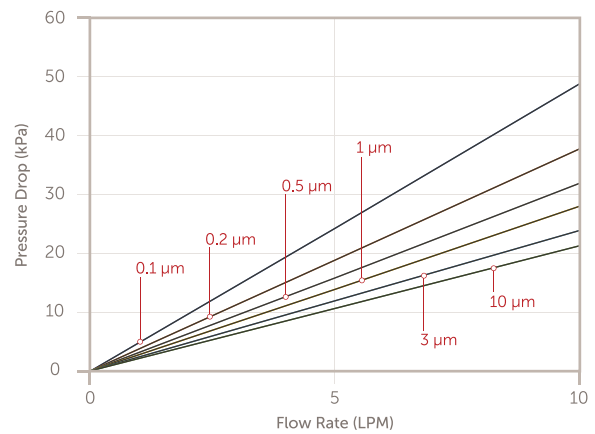
*0.05 for hydrophobic only

PERFORMANCE DATA

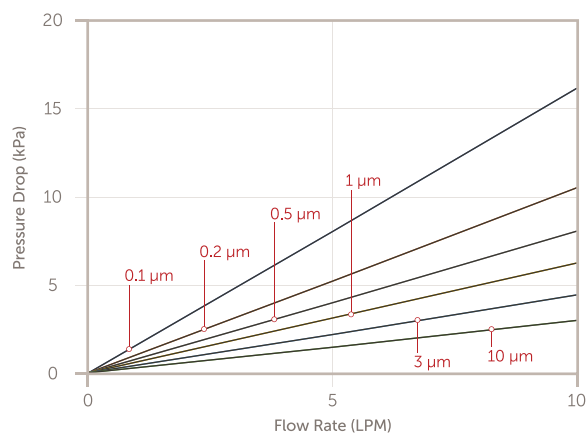
PG PTFE-HP Plus Half Disposable



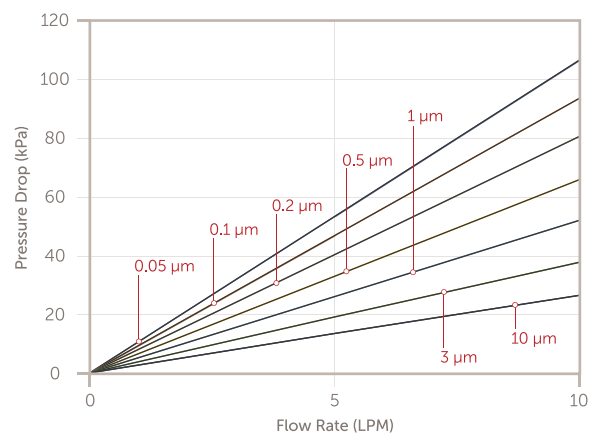
PG PTFE-HP Plus Short Disposable



PG PTFE-HP Plus Long Disposable

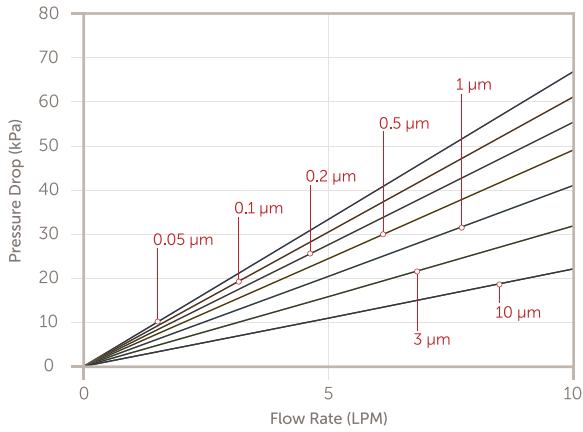


PG PTFE Plus Half Disposable

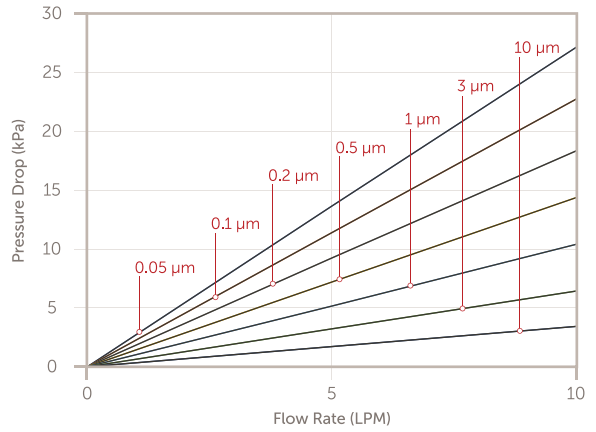


PERFORMANCE DATA

PG PTFE Plus Short Disposable

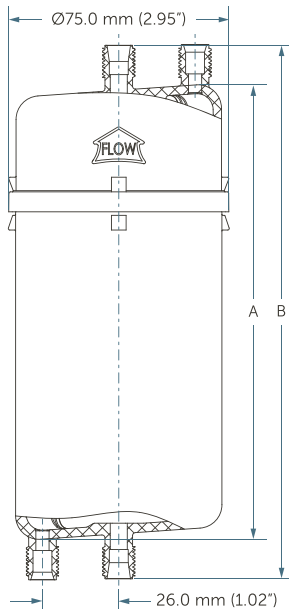


PG PTFE Plus Long Disposable

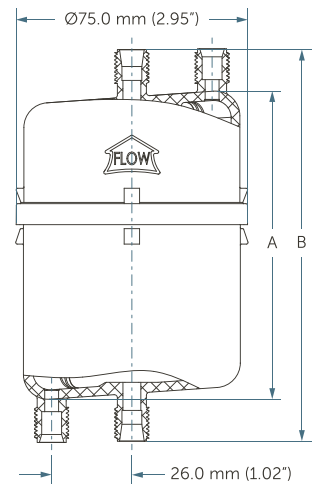


DIMENSIONS

Long (5") Disposable



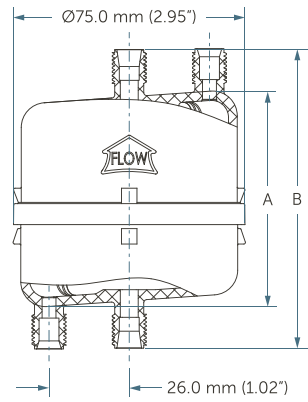
Short (2.5") Disposable



IN/OUT Fitting	Vent/Drain Fitting	Vent/Drain Plug	Long (5")		Short (2.5")	
			A	B	A	B
1/4 Comp. Seal	1/4 Comp. Seal	2 pieces	155.6 mm	182.5 mm	100.6 mm	127.7 mm
1/2 Comp. Seal	1/4 Comp. Seal	2 pieces	155.6 mm	188.4 mm	100.6 mm	133.5 mm
1/4 MNPT	1/8 MNPT	2 pieces	155.6 mm	185.5 mm	100.6 mm	130.5 mm
1/4 Flare	1/8 MNPT	2 pieces	155.6 mm	210.2 mm	100.6 mm	155.2 mm
3/8 Flare	1/4 Flare	No plug	155.6 mm	209.1 mm	100.6 mm	153.8 mm
3/8 FNPT	Female Luer Lock	2 pieces	155.6 mm	181 mm	100.6 mm	125.9 mm

DIMENSIONS

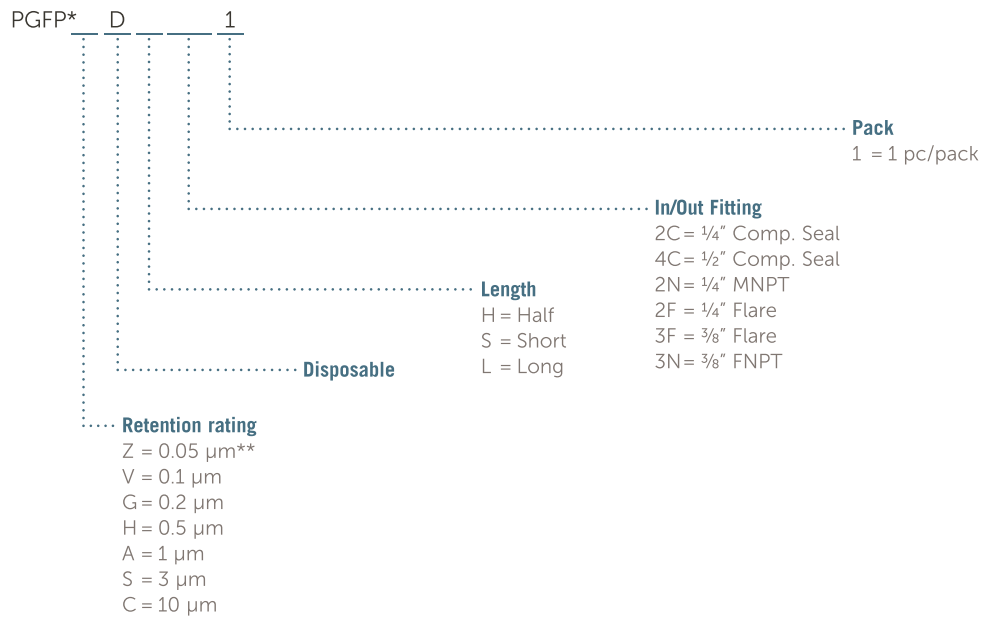
Half (1.5") Disposable



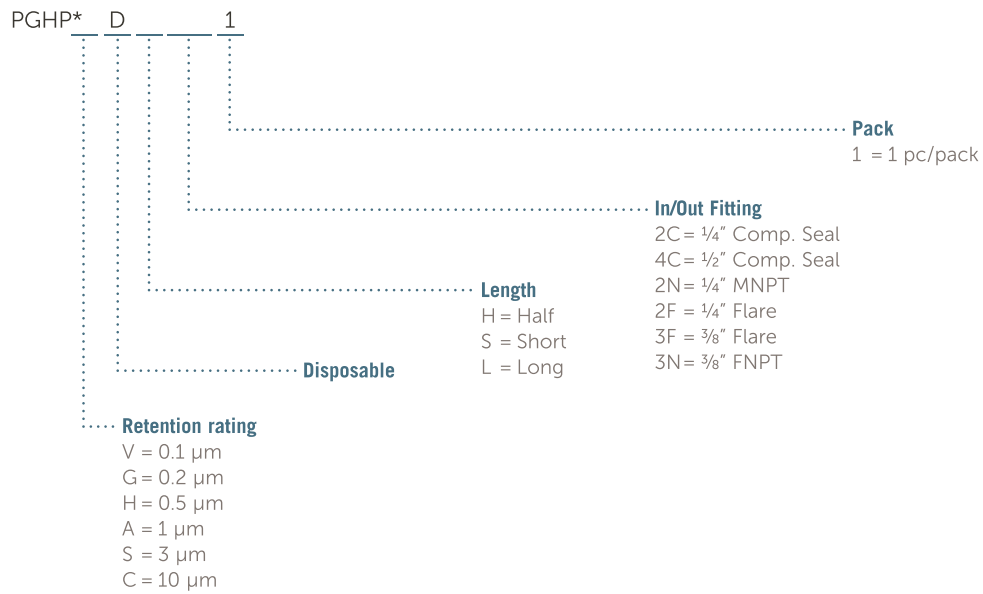
			Half (1.5")	
IN/OUT Fitting	Vent/Drain Fitting	Vent/Drain Plug	A	B
1/4 Comp. Seal	1/4 Comp. Seal	2 pieces	70.6 mm	97.5 mm
1/2 Comp. Seal	1/4 Comp. Seal	2 pieces	70.6 mm	103.5 mm
1/4 MNPT	1/8 MNPT	2 pieces	70.6 mm	100.5 mm
1/4 Flare	1/8 MNPT	2 pieces	70.6 mm	125 mm
3/8 Flare	1/4 Flare	No plug	70.6 mm	124 mm
3/8 FNPT	Female Luer Lock	2 pieces	70.6 mm	95.9 mm

ORDERING INFORMATION

ProcessGard PTFE Plus Disposable Filters: part number



ProcessGard PTFE-HP Plus Disposable Filters: part number



*PGFP = Hydrophobic
 PGHP = Hydrophilic

**Available for Hydrophobic only

FOR MORE INFORMATION

Please call your Regional Customer Service Center today to learn what Entegris can do for you. Visit [entegris.com](https://www.entegris.com) and select the [Contact Us](#) link to find the customer service center nearest you.

TERMS AND CONDITIONS OF SALE

All purchases are subject to Entegris' Terms and Conditions of Sale. To view and print this information, visit [entegris.com](https://www.entegris.com) and select the [Terms & Conditions](#) link in the footer.



Corporate Headquarters
129 Concord
Billerica, MA 01821
USA

Customer Service
Tel +1 952 556 4181
Fax +1 952 556 8022
Toll Free 800 394 4083

Entegris®, the Entegris Rings Design®, and other product names are trademarks of Entegris, Inc. as listed on [entegris.com/trademarks](https://www.entegris.com/trademarks). All third-party product names, logos, and company names are trademarks or registered trademarks of their respective owners. Use of them does not imply any affiliation, sponsorship, or endorsement by the trademark owner.

©2023 Entegris, Inc. | All rights reserved. | Printed in the USA | 4419-12865DSA-1024

www.entegris.com