

# ProcessGard® PTFE Plus Disposable Filters

*Provide unmatched durability and cleanliness in point-of-tool applications*

ProcessGard® PTFE Plus disposable filters are designed for filtration of process fluids used in the microelectronics industry. Constructed of PTFE pleated membranes with polypropylene supports and housing, these filters provide unmatched durability and cleanliness. Our disposable filters support POU filtration, small batch chemical production or lab-scale evaluations which are easy to scale up to cartridges filters for mass production. The disposable format allows safe filter change-outs as chemical is contained within the disposable shell.

Our portfolio includes half (1.5"), short (2.5"), and long (5") size filters to suit various flow requirements in point-of-tool applications where space is limited. A hydrophilic version is available for water-based applications while a hydrophobic version is available for solvent-based applications.

## APPLICATIONS

- The hydrophobic format is for use in IPA or weak solvent applications
- The hydrophilic format is for use in DI water or water-based chemical solutions

## FEATURES & BENEFITS

<b>PTFE pleated membrane</b>	Offers excellent compatibility for use in a wide variety of chemicals and reliable filtration of defect-causing particles
<b>Hydrophobic and hydrophilic membrane</b>	Eliminates prewet treatment, reducing start-up time
	Reduces filter changeout time
	Increases equipment uptime, lowering operation costs
<b>Half, short, and long sizes</b>	Suits various formats and flow requirements for small flow chemical filtration in point-of-tool applications where space is limited



*offers excellent chemical compatibility for use in a wide variety of chemicals*

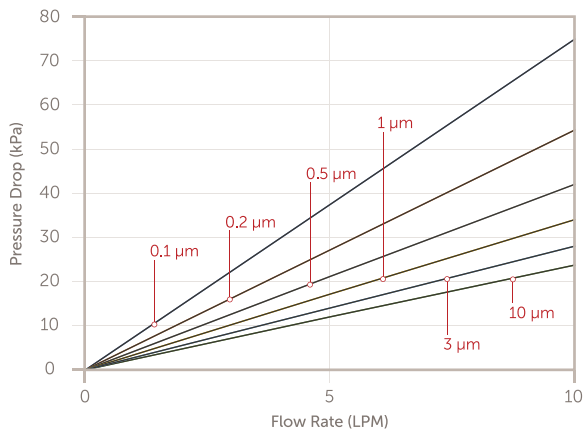
## SPECIFICATIONS

<b>Retention rating</b>	0.05*, 0.1, 0.2, 0.5, 1, 3, 10 $\mu\text{m}$	
<b>Materials</b>	Membrane	Hydrophobic, hydrophilic PTFE
	Support, core, sleeve, shell	Polypropylene
<b>Maximum operating conditions</b>	Forward differential pressure	0.4 MPa @ 25°C (77°F)
	Reverse differential pressure	0.2 MPa @ 25°C (77°F)
	Operating pressure	0.5 MPa @ 25°C (77°F)
	Operating temperature	60°C (140°F) water

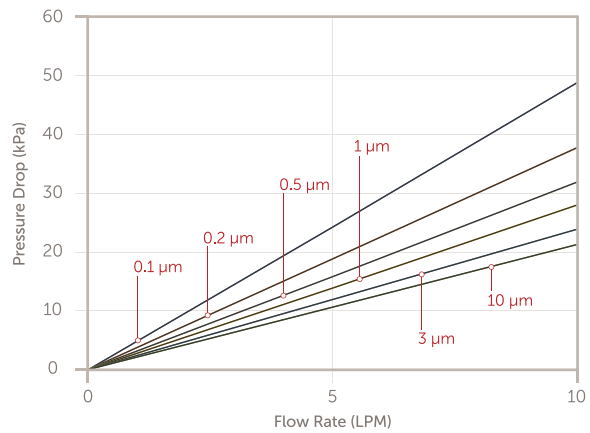
\*0.05 for hydrophobic only

## PERFORMANCE DATA

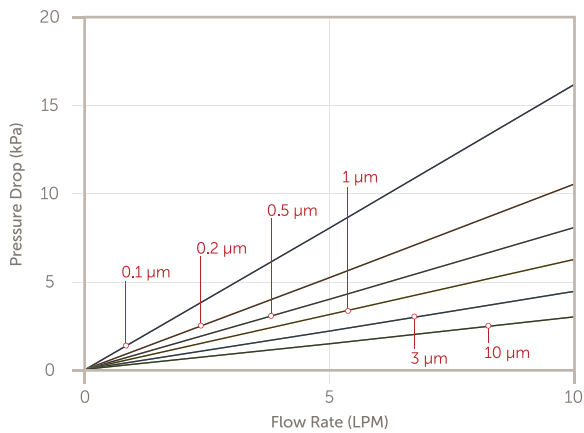
PG PTFE-HP Plus Half Disposable



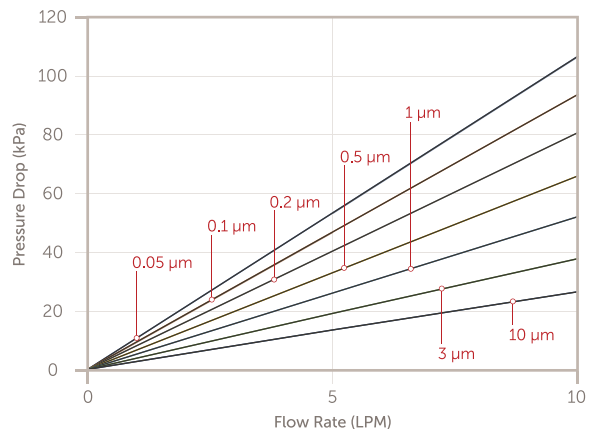
PG PTFE-HP Plus Short Disposable



PG PTFE-HP Plus Long Disposable

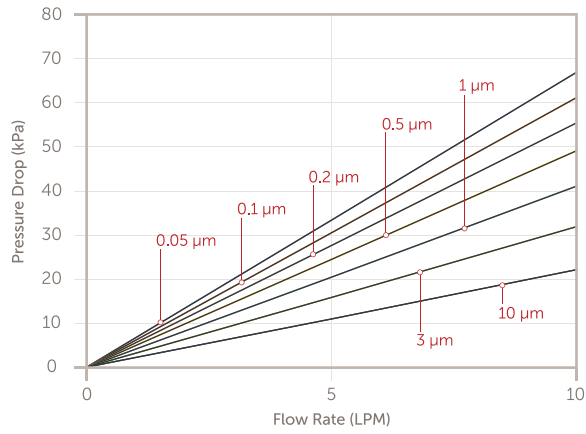


PG PTFE Plus Half Disposable

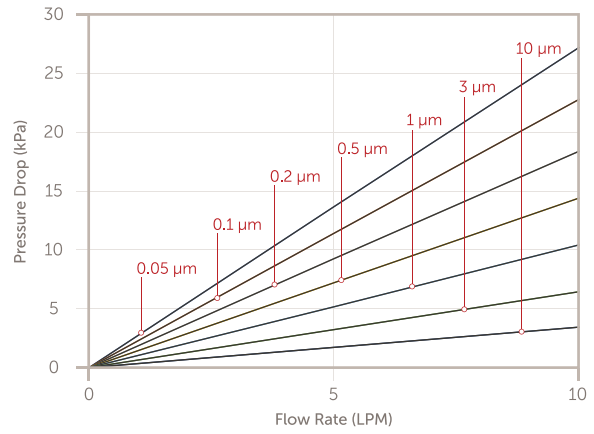


## PERFORMANCE DATA

PG PTFE Plus Short Disposable

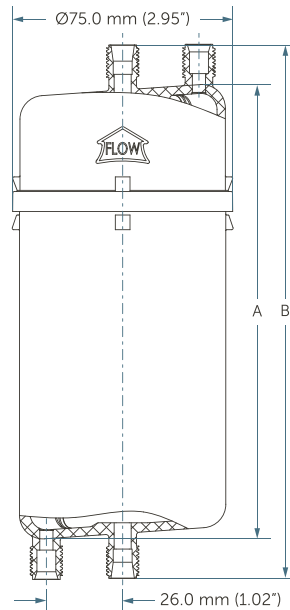


PG PTFE Plus Long Disposable

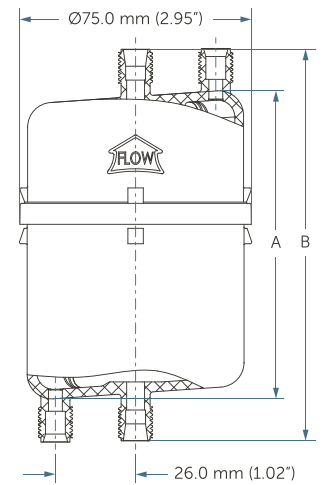


## DIMENSIONS

Long (5") Disposable



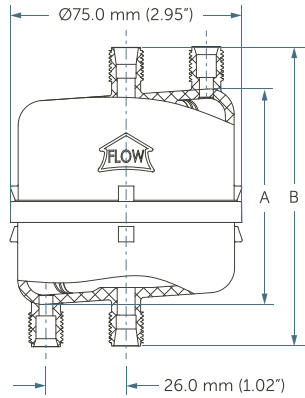
Short (2.5") Disposable



IN/OUT Fitting	Vent/Drain Fitting	Vent/Drain Plug	Long (5")		Short (2.5")	
			A	B	A	B
1/4 Comp. Seal	1/4 Comp. Seal	2 pieces	155.6 mm	182.5 mm	100.6 mm	127.7 mm
1/2 Comp. Seal	1/4 Comp. Seal	2 pieces	155.6 mm	188.4 mm	100.6 mm	133.5 mm
1/4 MNPT	1/8 MNPT	2 pieces	155.6 mm	185.5 mm	100.6 mm	130.5 mm
1/4 Flare	1/8 MNPT	2 pieces	155.6 mm	210.2 mm	100.6 mm	155.2 mm
3/8 Flare	1/4 Flare	No plug	155.6 mm	209.1 mm	100.6 mm	153.8 mm
3/8 FNPT	Female Luer Lock	2 pieces	155.6 mm	181 mm	100.6 mm	125.9 mm

## DIMENSIONS

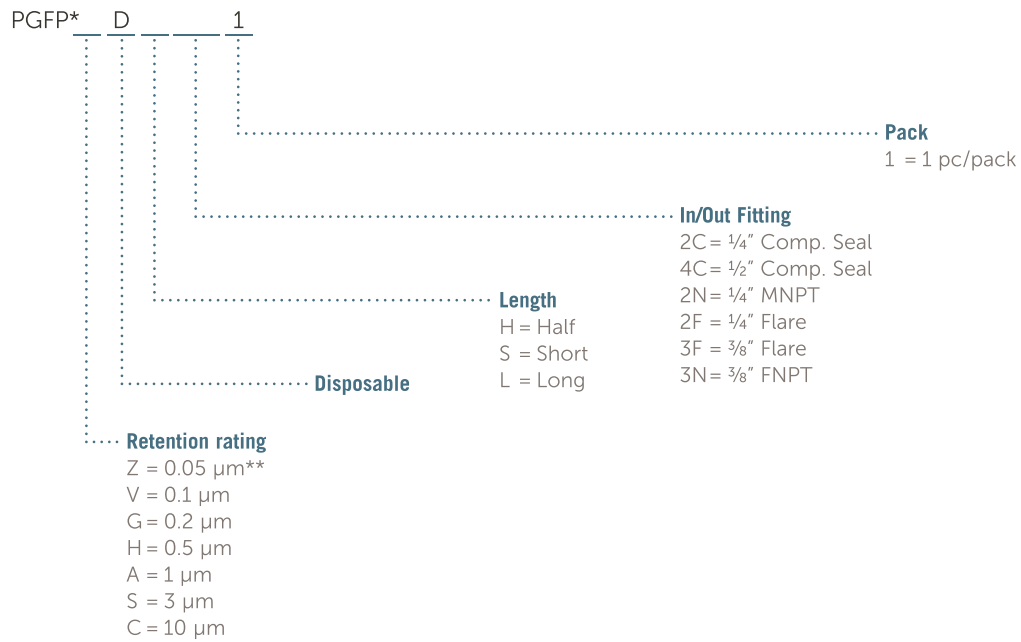
### Half (1.5") Disposable



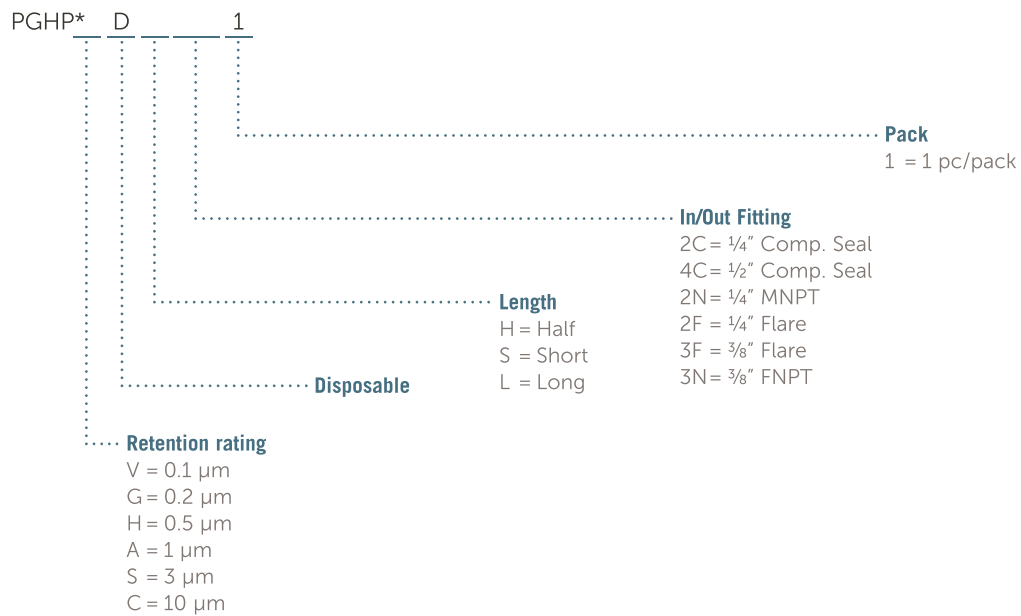
Half (1.5")				
IN/OUT Fitting	Vent/Drain Fitting	Vent/Drain Plug	A	B
1/4 Comp. Seal	1/4 Comp. Seal	2 pieces	70.6 mm	97.5 mm
1/2 Comp. Seal	1/4 Comp. Seal	2 pieces	70.6 mm	103.5 mm
1/4 MNPT	1/8 MNPT	2 pieces	70.6 mm	100.5 mm
1/4 Flare	1/8 MNPT	2 pieces	70.6 mm	125 mm
3/8 Flare	1/4 Flare	No plug	70.6 mm	124 mm
3/8 FNPT	Female Luer Lock	2 pieces	70.6 mm	95.9 mm

## ORDERING INFORMATION

ProcessGard PTFE Plus Disposable Filters: part number



ProcessGard PTFE-HP Plus Disposable Filters: part number



\*PGFP = Hydrophobic

PGHP = Hydrophilic

\*\*Available for Hydrophobic only

#### FOR MORE INFORMATION

Please call your Regional Customer Service Center today to learn what Entegris can do for you. Visit [entegris.com](https://www.entegris.com) and select the [Contact Us](#) link to find the customer service center nearest you.

#### TERMS AND CONDITIONS OF SALE

All purchases are subject to Entegris' Terms and Conditions of Sale. To view and print this information, visit [entegris.com](https://www.entegris.com) and select the [Terms & Conditions](#) link in the footer.



Corporate Headquarters  
129 Concord  
Billerica, MA 01821  
USA

Customer Service  
Tel +1 952 556 4181  
Fax +1 952 556 8022  
Toll Free 800 394 4083

Entegris®, the Entegris Rings Design®, and other product names are trademarks of Entegris, Inc. as listed on [entegris.com/trademarks](https://www.entegris.com/trademarks). All third-party product names, logos, and company names are trademarks or registered trademarks of their respective owners. Use of them does not imply any affiliation, sponsorship, or endorsement by the trademark owner.

©2023 Entegris, Inc. | All rights reserved. | Printed in the USA | 4419-12865DSA-1024