



SAVANA® IHF INDUSTRIAL HIGH-FLOW FILTERS

*For pre-filtration in desalination and
industrial water treatment*

Specifications

Retention ratings:	1, 5, 10, 20, 40, 70, 100 µm	
Materials:	Media, support, sleeve	Polypropylene
	End caps	Glass-filled polypropylene
	O-ring	EPDM
Maximum forward differential pressure:	0.34 MPa @ 80°C (176°F)	
Maximum operating temperature:	80°C (176°F)	

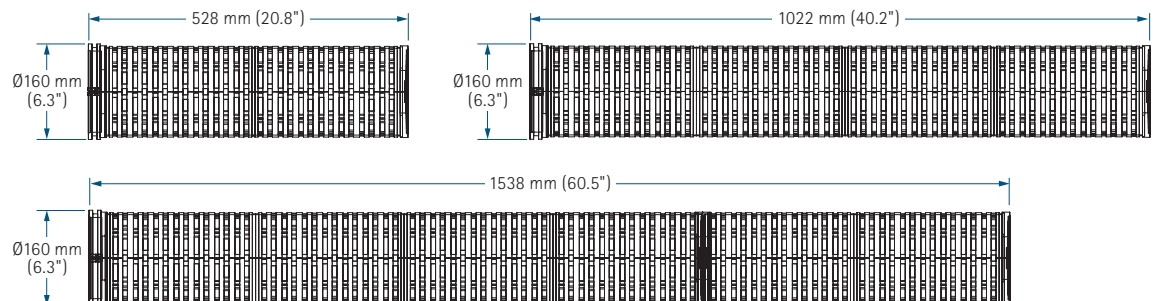
Note: Pressure drop of 20" cartridge at 500 L/min is <3 psi



Flow Recommendations

Cartridge Length	Recommended Flow m ³ /h (GPM)	Maximum Flow m ³ /h (GPM)
20"	32 (140)	40 (175)
40"	64 (282)	80 (350)
60"	91 (400)	114 (500)

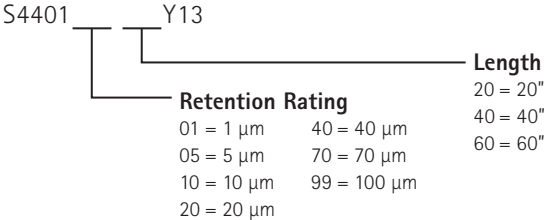
Dimensions



Ordering Information

Savana IHF Industrial High-flow Filters

Part Number



For More Information

Please call your Regional Customer Service Center today to learn what Entegris can do for you. Visit www.entegris.com and select the Customer Service link for the center nearest you.

Terms and Conditions of Sale

All purchases are subject to Entegris' Terms and Conditions of Sale. To view and print this information, visit www.entegris.com and select the Legal Notices link from the footer.

Entegris®, the Entegris Rings Design®, Creating a Material Advantage® and Savana® are registered trademarks of Entegris, Inc.