

# Savana® PP Housings

*Economical, plastic housing for  
chemical and water applications*

Our liquid filter housings provide a variety of performance and cost benefits. The Savana® polypropylene (PP) housing is an economical, plastic filter housing that provides excellent chemical resistance with most acids, alcohol, ammonia, oils, and plating solutions. This housing excels in flat panel display manufacturing processes involving deionized (DI) water rinse, alkaline water, and developer.



## APPLICATIONS

- Flat panel display manufacturing processes including DI water rinse, alkaline water, developer

*Savana PP housing is available in 222, 226, and 334 formats.*

## FEATURES & BENEFITS

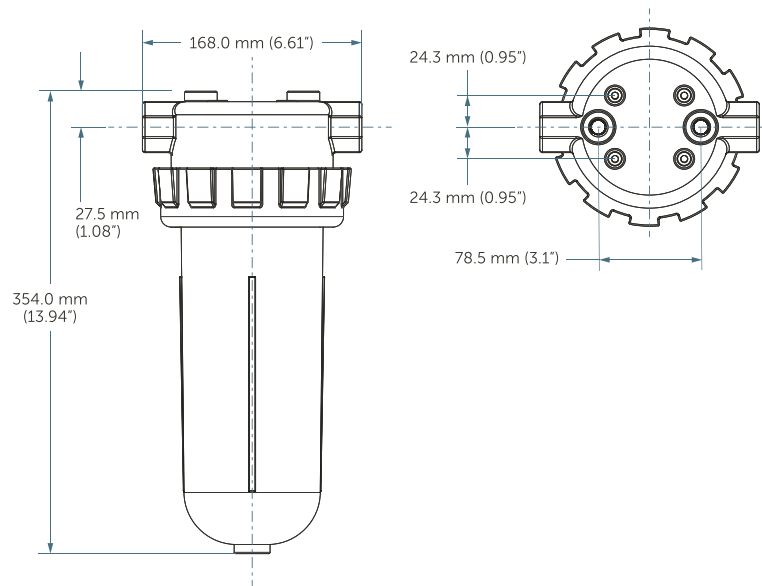
<b>Polypropylene construction</b>	Provides broad process fluid compatibility and excellent performance
<b>Economical, plastic filter housing and optimized hold-up volume</b>	Provide low cost of ownership

## SPECIFICATIONS

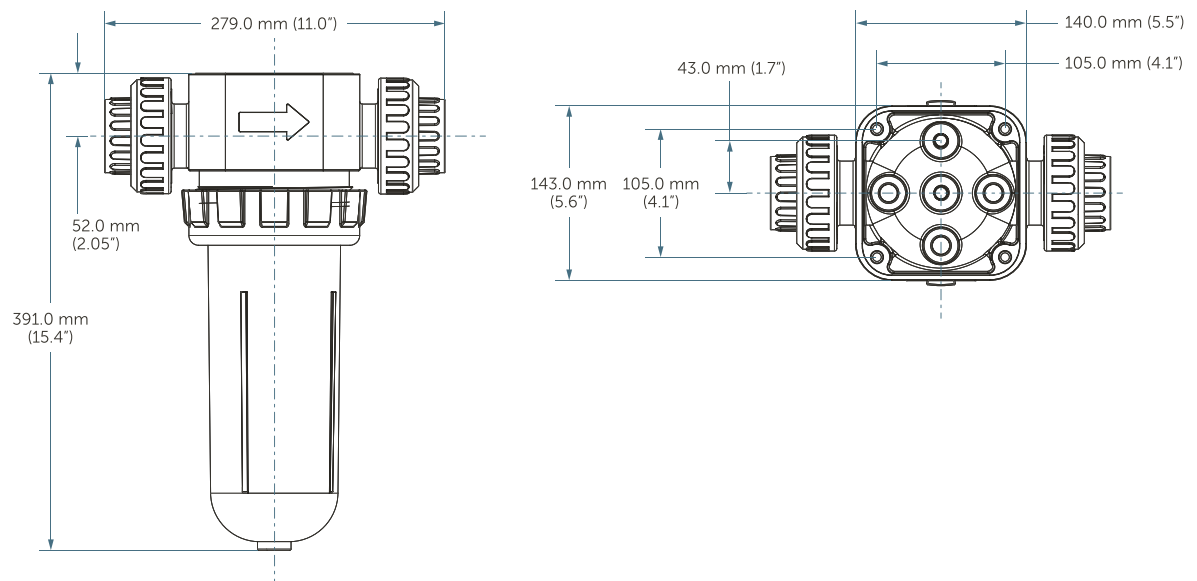
Savana 222 PP Housing		
<b>Materials</b>	Housing head and bowl	Polypropylene (PP)
	O-ring	EPDM, FKM
	Locking ring	PP + glass fiber
<b>Connections</b>	Inlet/outlet	3/4" NPT
	Vent/drain	1/4" NPT
<b>Maximum operating pressure</b>	0.6 MPa (87 psi) @ 21°C (70°F)	
<b>Maximum operating temperature</b>	60°C (140°F)	
<b>Accessories</b>	PP plug; 3 each	
	PP locking wrench; 1 each	
<b>Compatible filters</b>	Processgard®, Microgard®, Panelgard®, Fluorogard®, Savana® 10" 222 Code-0 filters (AS568-222 O-ring type flat end cap cartridge filters)	
Savana 226 PP Housing		
<b>Materials</b>	Housing head and bowl	Polypropylene (PP)
	O-ring	EPDM, FKM
	Locking ring	PP + glass fiber
<b>Connections</b>	Inlet/outlet	40A
	Vent/drain	1/4" NPT
<b>Maximum operating pressure</b>	0.6 MPa (87 psi) @ 21°C (70°F)	
<b>Maximum operating temperature</b>	40°C (104°F)	
<b>Accessories</b>	PP plug; 3 each	
	PVC union set (union nut, union end, O-ring). 2 sets	
	PP locking wrench; 1 each	
<b>Compatible filters</b>	Processgard®, Panelgard®, Savana® 226 filters (AS568-226 O-ring type cartridge filters)	
Savana 334 PP Housing		
<b>Materials</b>	Housing head and bowl	Polypropylene (PP)
	O-ring	EPDM, FKM
	Locking ring	PP
<b>Connections</b>	Inlet/outlet	40A and 50A
	Vent/drain	3/8" PT
<b>Maximum operating pressure</b>	0.6 MPa (87 psi) @ 21°C (70°F)	
<b>Maximum operating temperature</b>	40°C (104°F)	
<b>Accessories</b>	PP plug; 3 each	
	PVC union set (union nut, union end, O-ring); 2 sets	
<b>Compatible filters</b>	Processgard®, Panelgard®, Savana® 334 filters (AS568-334 O-ring type cartridge filters)	

## DIMENSIONS

Savana 222 PP Housing



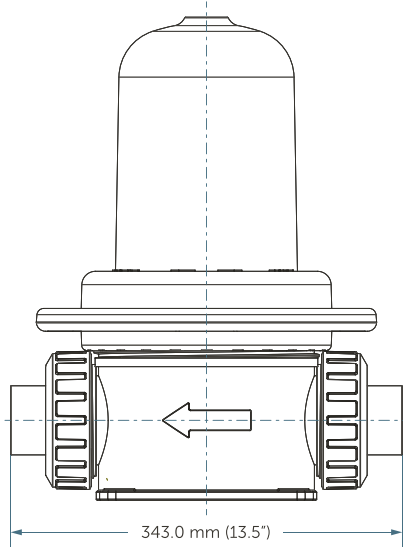
Savana 226 PP Housing



## DIMENSIONS

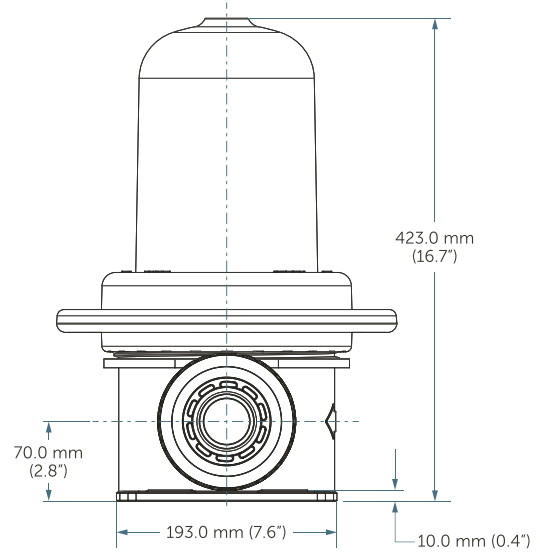
Savana 334 PP Housing

Front view



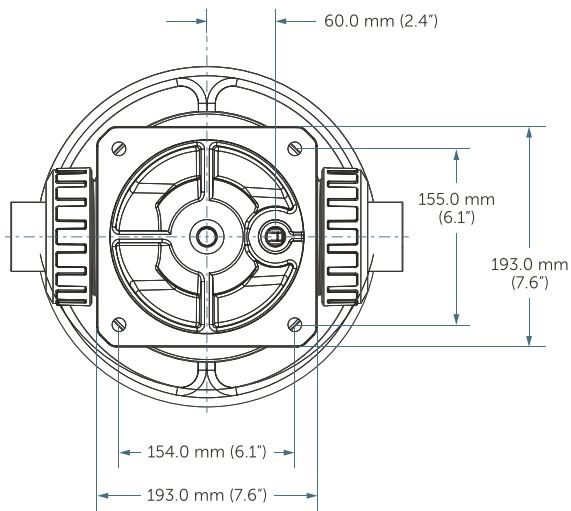
Savana 334 PP Housing

Side View



Savana 334 PP Housing

Bottom View



## ORDERING INFORMATION

PART NUMBER	PRODUCT TYPE	INLET/OUTLET	O-RING
YYSV210E3N	Savana® 222	3/4" NPT	EPDM
YYSV210V3N	Savana® 222	3/4" NPT	FKM
YYSV410E6U	Savana® 334	40A	EPDM
YYSV410E7U	Savana® 334	50A	EPDM

## ORDERING INFORMATION

PART NUMBER	PRODUCT TYPE	INLET/OUTLET	O-RING
YYSV410V6U	Savana® 334	40A	FKM
YYSV410V7U	Savana® 334	50A	FKM
YYSV610E6U	Savana® 226	40A	EPDM
YYSV610V6U	Savana® 226	40A	FKM

### FOR MORE INFORMATION

Please call your Regional Customer Service Center today to learn what Entegris can do for you. Visit [entegris.com](https://www.entegris.com) and select the [Contact Us](#) link to find the customer service center nearest you.

### TERMS AND CONDITIONS OF SALE

All purchases are subject to Entegris' Terms and Conditions of Sale. To view and print this information, visit [entegris.com](https://www.entegris.com) and select the [Terms & Conditions](#) link in the footer.



Corporate Headquarters  
129 Concord  
BillERICA, MA 01821  
USA

Customer Service  
Tel +1 952 556 4181  
Fax +1 952 556 8022  
Toll Free 800 394 4083

Entegris®, the Entegris Rings Design®, and other product names are trademarks of Entegris, Inc. as listed on [entegris.com/trademarks](https://www.entegris.com/trademarks). All third-party product names, logos, and company names are trademarks or registered trademarks of their respective owners. Use of them does not imply any affiliation, sponsorship, or endorsement by the trademark owner.

©2022 Entegris, Inc. | All rights reserved. | Printed in the USA | 4429-12720DSA-1222