



SCANNER PRE-FILTER SYSTEM

Greater protection from LMWSi organic compounds

Overview

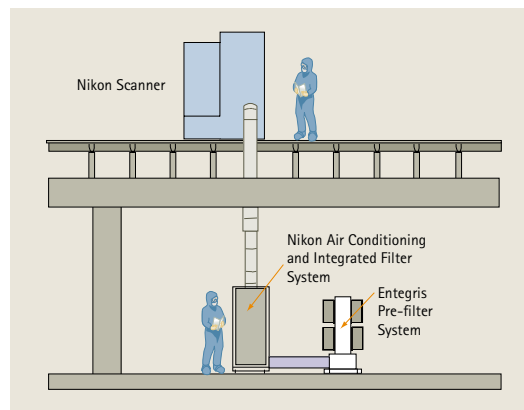
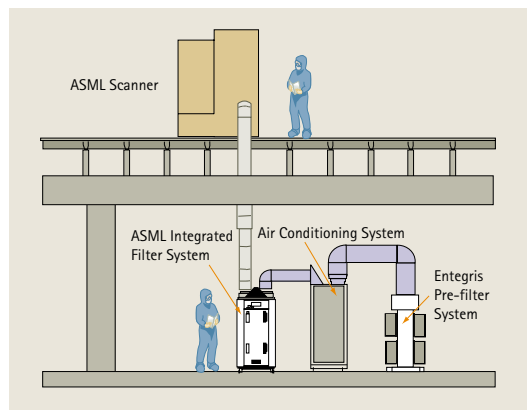
Protects scanner optics – extends integrated OEM scanner filter organic life.

Applications

Entegris' Scanner Pre-filter system is a natural extension of Entegris' market-leading OEM scanner integrated filter systems. The Scanner Pre-filter system provides increased protection of lens contamination by airborne Low Molecular Weight Silicon (LMWSi) and condensable organic species satisfying Nikon®, ASML™ and Canon® photobay environment specifications and increasing OEM scanner filter system organic life.

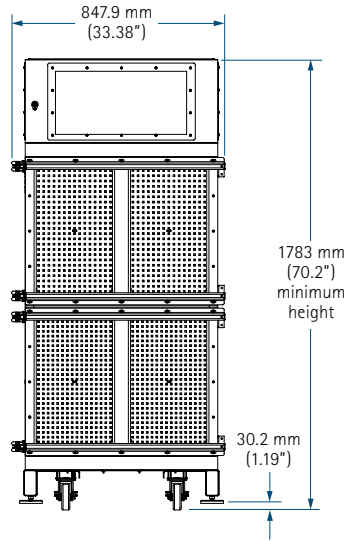
Features

- Select adsorption chemistry to increase LMWSi and condensable organics efficiency
- Ideal match to extend existing OEM scanner integral filtration system performance
- Easy retrofit to any installed scanner system
- Dedicated team of analytical service experts to support understanding of all filtration system technology and airborne molecular contamination measurement pertaining to filter system interdependency and life performance
- Compliance to meet Nikon, ASML and Canon environment specifications



Dimensions

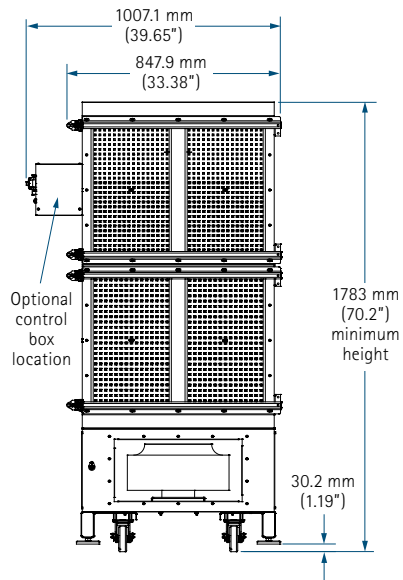
Pre-filter Top No Fan Configuration



System is available with or without fan control box



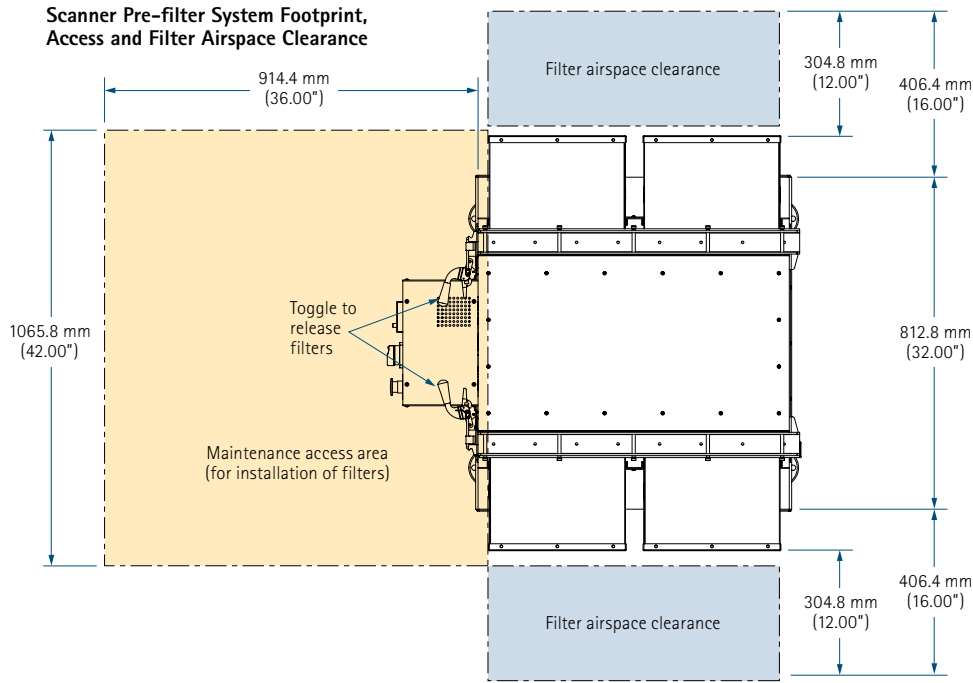
Pre-filter Bottom Fan Configuration



System is available with or without fan control box

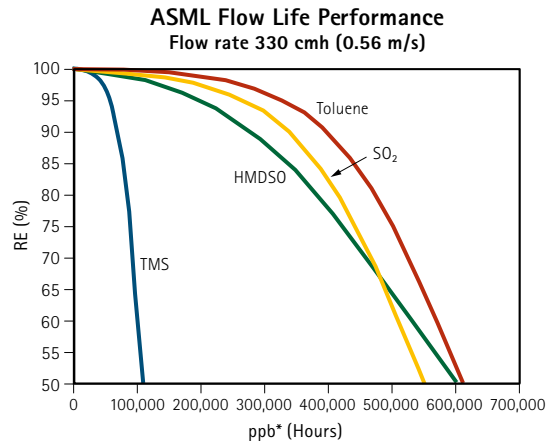
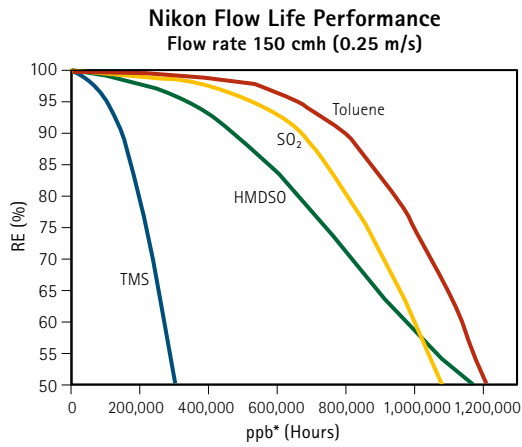


Dimensions (continued)



Performance Data

Chemical Performance Data at Different Flow Rates



* See users manual for full airflow/pressure drop information.

Ordering Information

Part Number	Configuration
ESI005774-01	Bottom discharge with fan
ESI005774-02	Top discharge with fan
ESI005774-03	Bottom discharge no fan
ESI005774-04	Top discharge no fan
ESI005892-01	Pre-filter filter set

For More Information

Please call your Regional Customer Service Center today to learn what Entegris can do for you. Visit www.entegris.com and select the Customer Service link for the center nearest you.

Terms and Conditions of Sale

All purchases are subject to Entegris' Terms and Conditions of Sale. To view and print this information, visit www.entegris.com and select the Legal Notices link from the footer.

Entegris® and the Entegris Rings Design® are registered trademarks of Entegris, Inc.
Nikon® is a registered trademark of Nikon, Inc.
Canon® is a registered trademark of Canon, Inc.
ASML™ is a trademark of ASML Holding, N.V.

ENTEGRIS, INC.

Corporate Headquarters | 129 Concord Road | Billerica, MA 01821 USA
Customer Service Tel. +1 952 556 4181 | Customer Service Fax +1 952 556 8022
In North America 800 394 4083 | www.entegris.com